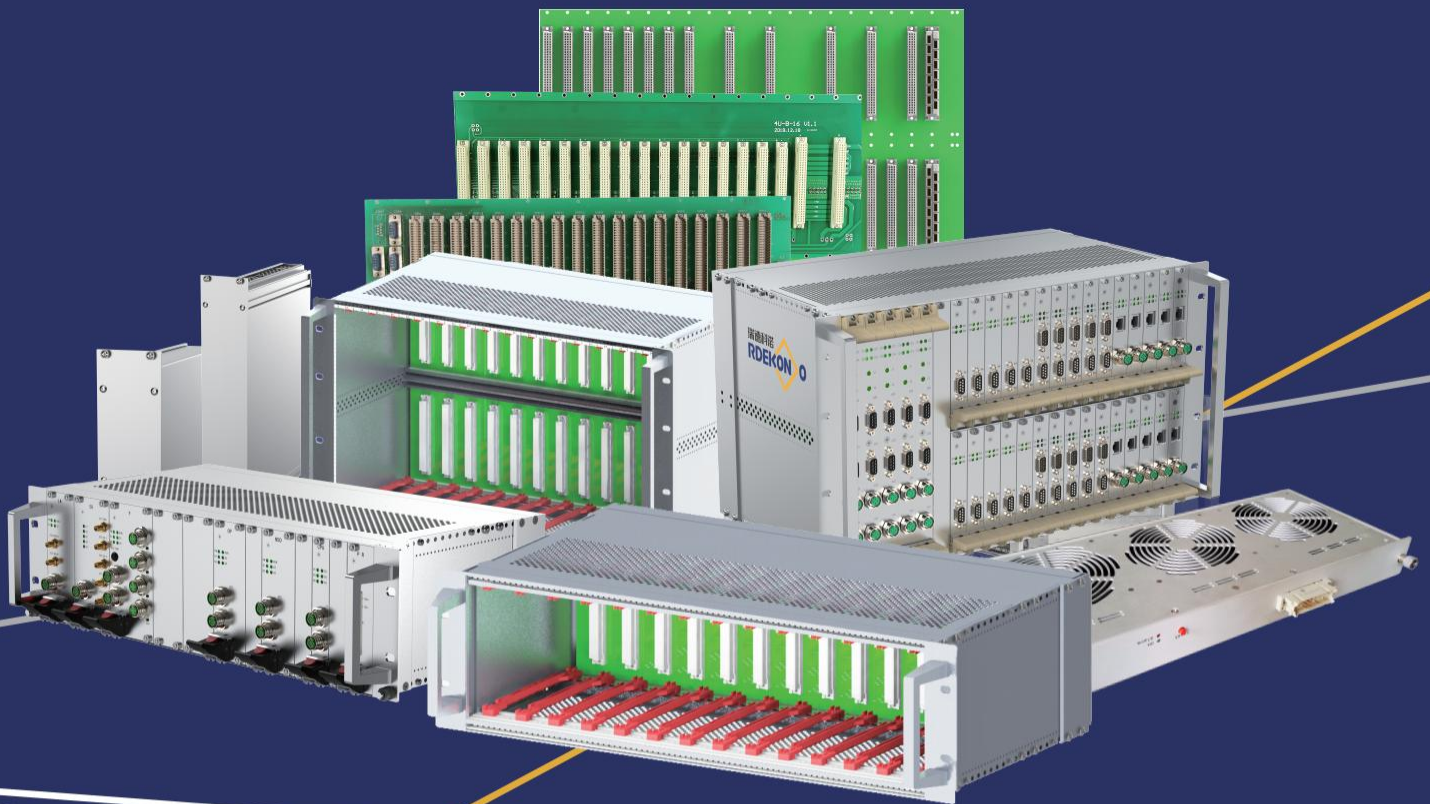


SUBRACK

Model Selection Manual for Subracks

BEIJING RDEKONO ELECTRONIC EQUIPMENT CO.,LTD

Responsibility and Innovation Connection and protection





Beijing RdeKono Electronic Equipment Beijing Rdekono Electronic Equipment co., Ltd



Beijing Rdekono Electronic Equipment Co., Ltd. is a scientific and technological enterprise engaged in products design and manufacturing, with national high-tech enterprise qualification and ISO TS22163 quality management system.

We have operation headquarters and R&D center in Beijing, a parts processing center in Cangzhou, and a complete equipment manufacturing center in Tianjin. Rdekono has a professional design team based on the complete equipment engineering technology. Rdekono has multiple technology integration design capabilities and focuses on the R&D of complete equipment system. Our technical scope includes usability design, structural design, heat dissipation design, electromagnetic shielding design, power distribution design, reliability protection design and other professional fields.

Our technical development concept is -profit users and save manufacturing cost. Through design innovative and advanced manufacturing technology, we can provide customers with complete services from product design, mechanical manufacturing to electrical and mechanical parts assembly. Rdekono is committed to helping our customers improve product competitiveness and reduce development and production costs, shorten the development cycle, and achieve market goals fast.

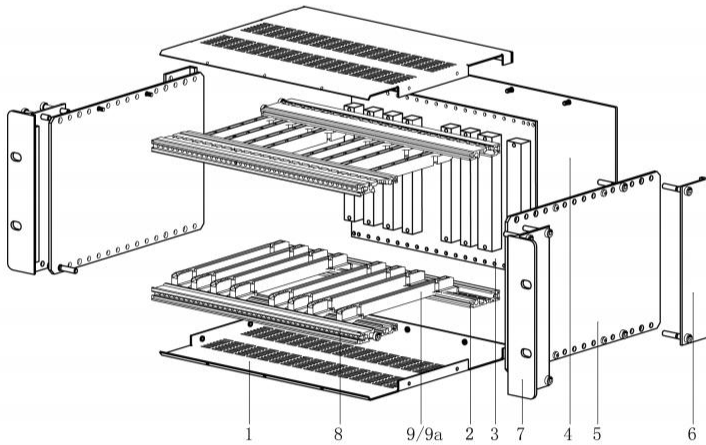
Mission: Integration of innovation, excellence, development and manufacturing of competitive products.

Enterprise vision: TO become a first-class electronic mechanical structure solution supplier.

Core values: Achieve cus TO mer value, improve employee welfare, return TO all shareholders.

RDEKONO

VERO Series Subracks



VERO Subracks

- Can be used to build CompactPCI system platforms with full mounting accessory support; for the application of mounting backplane or connector.

For rear panel installation, there is an insulating strip between the rear panel and the middle cross member; for connector installation, the connector type should comply with IEC60603-2/DIN 41612 standard.

Delivery Comprises(kit)

Item	Name	3U Qty	6U Qty	Model
1	Cover plate	2	2	/
2	Rear rails	2	2	/
3	Backplane	1	1	/
4	Rear panel	1	1	/
5	Side panel	2	2	/
6	Rear bracket	2	2	/
7	Front bracket	2	2	/
8	Front rails	2	2	/
9	Low guide rail	/	/	Choice
9a	High guide rail	/	/	Choice

Order information

H Height	W Width	D Depth	Model	Order no
3U	84TE	160	Perforated	31604202
3U	84TE	220	Perforated	32204202
4U	84TE	160	Perforated	41604212
4U	84TE	220	Perforated	42204213
6U	84TE	160	Perforated	61604212
6U	84TE	220	Perforated	62204213

Order information

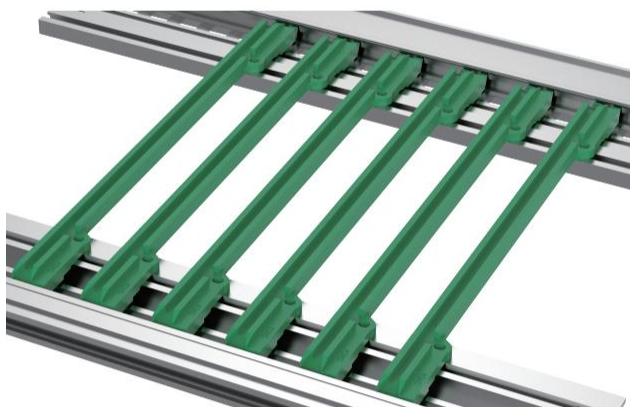
Name	W Width	Order no	Name	H Height	Order no
Front rails	42TE	0180001	Front bracket	3U	0280001
Front rails	63TE	0180011	Front bracket	4U	0280002
Front rails	84TE	0180009	Front bracket	6U	0280003
Rear rails	42TE	0180002	Rear bracket	3U	0280004
Rear rails	63TE	0180012	Rear bracket	4U	0280005
Rear rails	84TE	0180010	Rear bracket	6U	0280006

EK&EG PRO Series Subracks
 EK+EG+PRO Series Subracks
 BEK&BEG PRO Series Subracks
 Handle specification and accessories
 Guiderrail specification and accessories
 19"CUR Series Subracks
 SNCF Series Subracks
 Shielded plug-in units Series Subracks
 VERO Series Subracks
 Protective Series Subracks
 CASE Series Subracks
 Type A Series Subracks
 Integrated Side panel Series Subracks
 IN-S Series Subracks
 Subracks Accessories
 Panel component
 Order no. and page Table

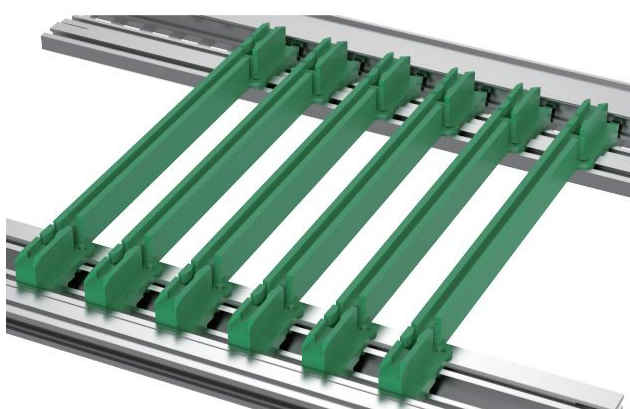
VERO Series Subracks



VERO Series Subracks



Low guide rail



High guide rail

Order information

Name	D Depth	Color	Colour code	Order no
High guide rail	160	Green	RAL6024	1001022
Low guide rail	160	Green	RAL6024	1001024
Low guide rail	220	Green	RAL6024	1001023

Order no. and page Table
Panel component
Subracks Accessories
IN-S Series Subracks
Integrated Side panel Series Subracks
Type A Series Subracks
CASE Series Subracks
Protective Series Subracks
VERO Series Subracks
Shielded plug-in units Series Subracks
SNCF Series Subracks
19" CUR Series Subracks
Guide rail specification and accessories
Handle specification and accessories
BEK&BEG PRO Series Subracks
EK&EG+ PRO Series Subracks
EK&EG PRO Series Subracks

VERO Shielded plug-in units

VERO 3U Shielded plug-in units

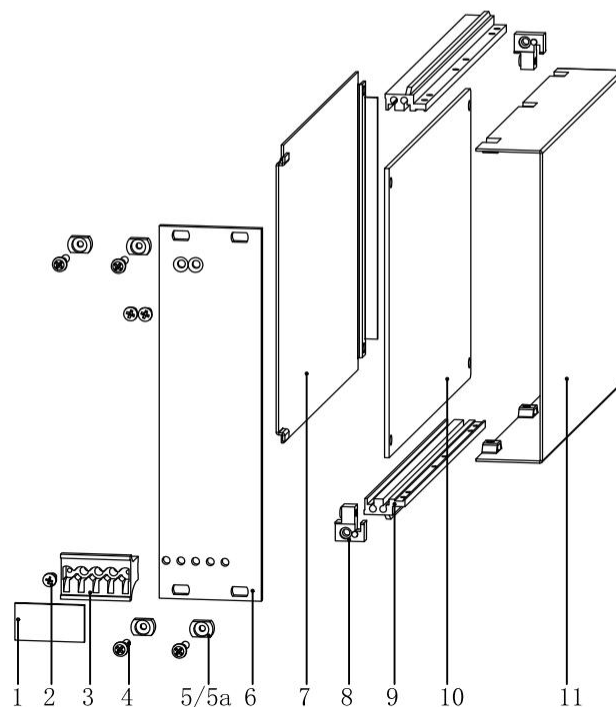
- For circuit board protection against physical damage and mechanical damage
- Front panel is shielded or unshielded
- Suitable for subrack cases and instrument cases

Delivery Comprises(kit)

Item	Name	3U Qty	Model
1	Scutcheon	1	/
2	Panel fixing screws	3	/
3	Black plastic handle	1	/
4	Captive screws	4	/
5	Metal sleeve plastic	4	/
5a	Metal sleeve Brass	4	/
6	Panel	1	/
7	Side panel	1	/
8	Printed board bracket	2	/
9	Guide rail	2	/
10	PCB Board	1	/
11	Cover plate	1	/

Order information

Width HP	Description	Model	Order no (Depth 167mm)	Order no (Depth 227mm)
5	Unshielded	Perforated	05316710	05322710
5	Unshielded	Without holes	05316700	05322700
6	Unshielded	Perforated	06316710	06322710
6	Unshielded	Without holes	06316700	06322700
7	Unshielded	Perforated	07316710	07322710
7	Unshielded	Without holes	07316700	07322700
8	Unshielded	Perforated	08316710	08322710
8	Unshielded	Without holes	08316700	08322700
10	Unshielded	Perforated	10316710	10322710
10	Unshielded	Without holes	10316700	10322700
12	Unshielded	Perforated	12316710	12322710
12	Unshielded	Without holes	12316700	12322700
14	Unshielded	Perforated	14316710	14322710
14	Unshielded	Without holes	14316700	14322700
21	Unshielded	Perforated	21316710	21322710
21	Unshielded	Without holes	21316700	21322700
28	Unshielded	Perforated	28316710	28322710
28	Unshielded	Without holes	28316700	28322700
42	Unshielded	Perforated	42316710	42322710
42	Unshielded	Without holes	42316700	42322700



Order information

Width HP	Description	Model	Order no (Depth 167mm)	Order no (Depth 227mm)
5	Shielded	Perforated	05316711	05322711
5	Shielded	Without holes	05316701	05322701
6	Shielded	Perforated	06316711	06322711
6	Shielded	Without holes	06316701	06322701
7	Shielded	Perforated	07316711	07322711
7	Shielded	Without holes	07316701	07322701
8	Shielded	Perforated	08316711	08322711
8	Shielded	Without holes	08316701	08322701
10	Shielded	Perforated	10316711	10322711
10	Shielded	Without holes	10316701	10322701
12	Shielded	Perforated	12316711	12322711
12	Shielded	Without holes	12316701	12322701
14	Shielded	Perforated	14316711	14322711
14	Shielded	Without holes	14316701	14322701
21	Shielded	Perforated	21316711	21322711
21	Shielded	Without holes	21316701	21322701
28	Shielded	Perforated	28316711	28322711
28	Shielded	Without holes	28316701	28322701
42	Shielded	Perforated	42316711	42322711
42	Shielded	Without holes	42316701	42322701

EK&EG PRO Series Subracks
 EK+EG+PRO Series Subracks
 BEK&BEG PRO Series Subracks
 Handle specification and accessories
 Guide rail specification and accessories
 19" CUR Series Subracks
 SNCF Series Subracks
 Shielded plug-in units Series Subracks
 VERO Series Subracks
 Protective Series Subracks
 CASE Series Subracks
 Type A Series Subracks
 Integrated Side-panel Series Subracks
 IN-S Series Subracks
 Subracks Accessories
 Panel component
 Order no. and page Table

VERO Shielded plug-in units

VERO 6U Shielded plug-in units

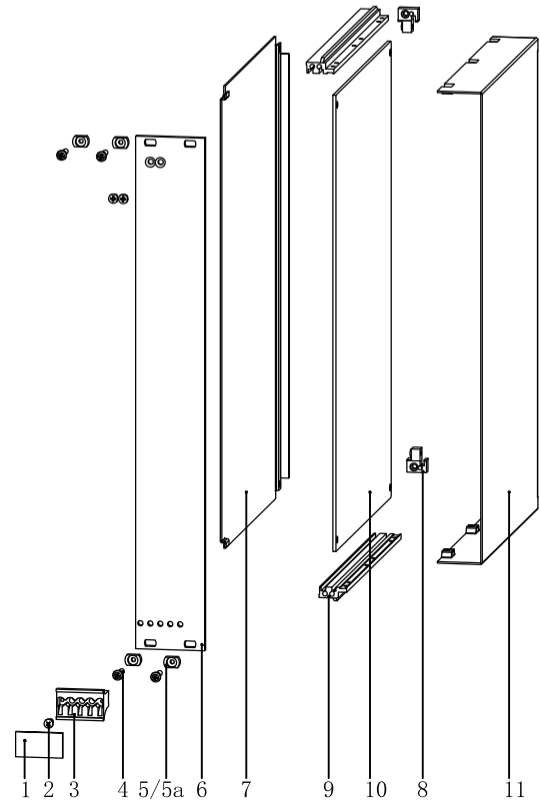
- For circuit board protection against physical damage and mechanical damage
- Front panel is shielded or unshielded
- Suitable for subrack cases and instrument cases

Delivery Comprises(kit)

Item	Name	3U Qty	Model
1	Scutcheon	1	/
2	Panel fixing screws	3	/
3	Black plastic handle	1	/
4	Captive screws	4	/
5	Metal sleeve plastic	4	/
5a	Metal sleeve Brass	4	/
6	Panel	1	/
7	Side panel	1	/
8	Printed board bracket	2	/
9	Guide rail	2	/
10	PCB Board	1	/
11	Cover plate	1	/

Order information

Width HP	Description	Model	Order no (Depth 167mm)	Order no (Depth 227mm)
5	Shielded Perforated	Perforated	05616711	05622711
5	Shielded Without holes	Without holes	05616701	05622701
6	Shielded Perforated	Perforated	06616711	06622711
6	Shielded Without holes	Without holes	06616701	06622701
7	Shielded Perforated	Perforated	07616711	07622711
7	Shielded Without holes	Without holes	07616701	07622701
8	Shielded Perforated	Perforated	08616711	08622711
8	Shielded Without holes	Without holes	08616701	08622701
10	Shielded Perforated	Perforated	10616711	10622711
10	Shielded Without holes	Without holes	10616701	10622701
12	Shielded Perforated	Perforated	12616711	12622711
12	Shielded Without holes	Without holes	12616701	12622701
14	Shielded Perforated	Perforated	14616711	14622711
14	Shielded Without holes	Without holes	14616701	14622701
21	Shielded Perforated	Perforated	21616711	21622711
21	Shielded Without holes	Without holes	21616701	21622701
28	Shielded Perforated	Perforated	28616711	28622711
28	Shielded Without holes	Without holes	28616701	28622701
42	Shielded Perforated	Perforated	42616711	42622711
42	Shielded Without holes	Without holes	42616701	42622701



Order information

Width HP	Description	Model	Order no (Depth 167mm)	Order no (Depth 227mm)
5	Unshielded Perforated	Perforated	05616710	05622710
5	Unshielded Without holes	Without holes	05616700	05622700
6	Unshielded Perforated	Perforated	06616710	06622710
6	Unshielded Without holes	Without holes	06616700	06622700
7	Unshielded Perforated	Perforated	07616710	07622710
7	Unshielded Without holes	Without holes	07616700	07622700
8	Unshielded Perforated	Perforated	08616710	08622710
8	Unshielded Without holes	Without holes	08616700	08622700
10	Unshielded Perforated	Perforated	10616710	10622710
10	Unshielded Without holes	Without holes	10616700	10622700
12	Unshielded Perforated	Perforated	12616710	12622710
12	Unshielded Without holes	Without holes	12616700	12622700
14	Unshielded Perforated	Perforated	14616710	14622710
14	Unshielded Without holes	Without holes	14616700	14622700
21	Unshielded Perforated	Perforated	21616710	21622710
21	Unshielded Without holes	Without holes	21616700	21622700
28	Unshielded Perforated	Perforated	28616710	28622710
28	Unshielded Without holes	Without holes	28616700	28622700
42	Unshielded Perforated	Perforated	42616710	42622710
42	Unshielded Without holes	Without holes	42616700	42622700