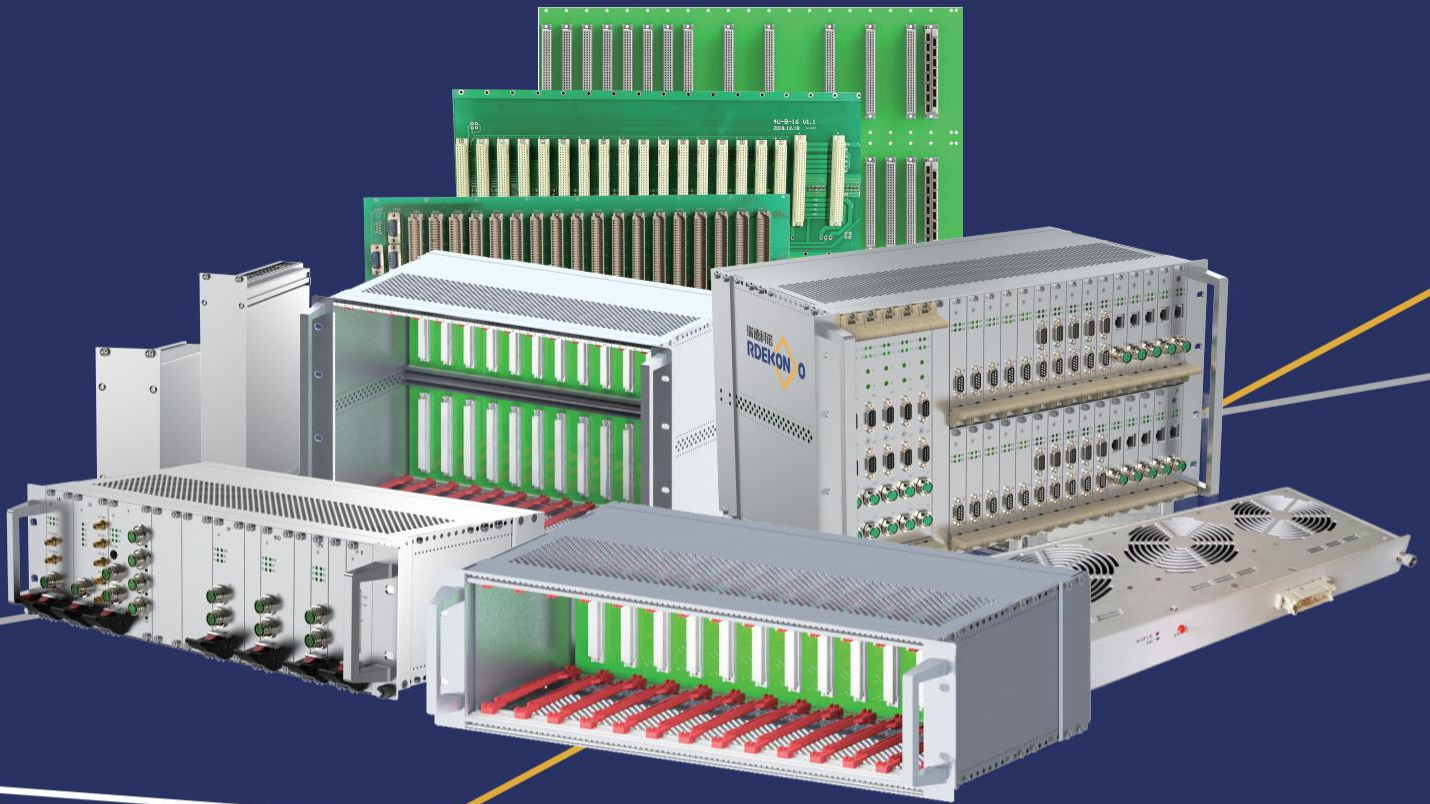


# SUBRACK

## Model Selection Manual for Subracks

BEIJING RDEKONO ELECTRONIC EQUIPMENT CO.,LTD

Responsibility and Innovation    Connection and protection





## Beijing RdeKono Electronic Equipment Beijing Rdekono Electronic Equipment co., Ltd



Beijing Rdekono Electronic Equipment Co., Ltd. is a scientific and technological enterprise engaged in products design and manufacturing, with national high-tech enterprise qualification and ISO TS22163 quality management system.

We have operation headquarters and R&D center in Beijing, a parts processing center in Cangzhou, and a complete equipment manufacturing center in Tianjin. Rdekono has a professional design team based on the complete equipment engineering technology. Rdekono has multiple technology integration design capabilities and focuses on the R&D of complete equipment system. Our technical scope includes usability design, structural design, heat dissipation design, electromagnetic shielding design, power distribution design, reliability protection design and other professional fields.

Our technical development concept is -profit users and save manufacturing cost. Through design innovative and advanced manufacturing technology, we can provide customers with complete services from product design, mechanical manufacturing to electrical and mechanical parts assembly. Rdekono is committed to helping our customers improve product competitiveness and reduce development and production costs, shorten the development cycle, and achieve market goals fast.

**Mission:** Integration of innovation, excellence, development and manufacturing of competitive products.

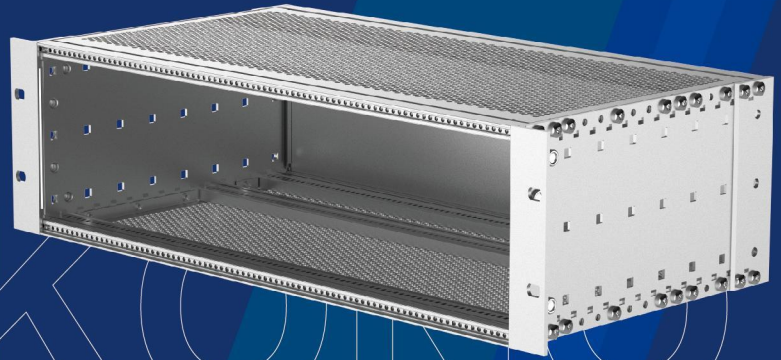
**Enterprise vision:** TO become a first-class electronic mechanical structure solution supplier.

**Core values:** Achieve cus TO mer value, improve employee welfare, return TO all shareholders.

RDEKONO



- BEK&BEG PRO Series Subracks ····· 1~14
  - BEK&BEG PRO Series Subracks Brief Introduction ····· 1~2
  - BEK PRO Economy Series Subracks ····· 3~4
  - BEG PRO Rugged Series Subracks ····· 5~6
  - BEK&BEG Series Subracks Front horizontal Rail ····· 7
  - BEK&BEG Series Subracks Rear horizontal Rail ····· 8
  - BEK&BEG Series Subracks Middle rails ····· 9
  - BEK&BEG Series Subracks Front and Rear Rail ····· 10
  - BEK&BEG Series Subracks Side panel type F ····· 11~12
  - BEK&BEG Series Subracks Side panel type L ····· 13
  - BEK&BEG Series Subracks Side panel type H ····· 13
  - BEK&BEG Series Subracks Side panel type R ····· 14



## Standards/certifications

Inner and outer dimensions meet: IEC 60297-3-101, IEC 60297-3-102, IEC 60297-3-103, IEEE 1101.1 and IEEE 1101.10/11

Type of protection IP20 in accordance with IEC 60529

EMC testing to IEC 61587-3

Shock and vibration test reports: German "Bahn" standards BN 411002, BN 411003; NF F 60002, NF F 67012

IEC 61587-2, EN 50155, part 12.2.11

## Customized service

Customize the side panel of the Subracks

Panel and panel opening, screen printing

### BEK&BEG PRO Series Subracks introduction

BEK&BEG PRO series Subracks is a series of Subracks products developed by **RDEKON** for the application of the 19" standard Subracks. After years of practical application shows that the BEK&BEG PRO series Subracks has stable performance, solid structure and meets all the requirements of the 19" standard size and application. At the same time, the BEK&BEG PRO series Subracks has the characteristics of high cost performance, rich components, flexible configuration and so on, which can meet the use requirements to the greatest extent

### BEK&BEG PRO Series Subracks introduction

BEK&BEG PRO series Subracks is widely used in all kinds of standard electronic equipment and user-defined electronic systems, can be used to build CompactPCI, VME, VME64, PXI and other systems, can also be used as a general electronic plug-in box

### RDEKON PRO 3/6U Subrack(Railway Applications)

- Unshielded and shielded versions NFF61005/60002
- Unshielded and shielded versions EN50155 subrack
- Shielded versions for CompactPCI applications



## 19 "Subrack Subracks

- Shock and vibration resistant to IEC 61587-2, EN 50155, NFF 67012/NF F 60002, German railway standards BN 411002/411003
- IEC 60297-3-101, IEC 60297-3-102, IEC 60297-3-103, IEEE 1101.1 and IEEE 1101.10/11 compatible
- Designed for extractor handles to IEEE 1101.10/11 and IEC 60297-3-103 for CompactPCI and VME 64x application
- EMC shielding easily retrofittable if needed

### RDEKON PRO 3/6U Subrack(Kits)

- Unshielded and shielded versions
- Shielded versions for CompactPCI applications

### BEK&BEG PRO Series Subracks Features

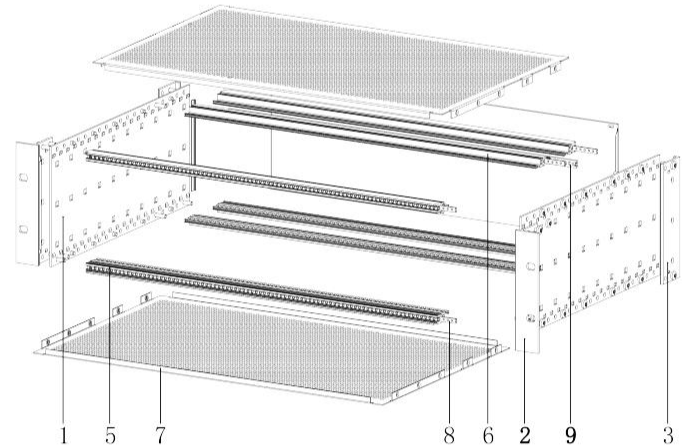
- **RDEKON** 19" Subrack subrack, manufactured by advanced technology
- BEK&BEG PRO series products meet the 19" standard, easy to assemble (Refer to the company's 19" standard summary manual for details). Fully reflected the standardization, module The characteristics and advantages of chemical and serialization.
- All series of products adopt universal standard parts combination, reflecting a high degree of flexibility, customers can according to the specific needs of the general standard parts or customized product vibration, impact test standards: according to IEC61587-1, NE50155, BN411002, NF F67012, NF F67002 test
- Complies with IEEE 1101.1 standard
- Can be used to build CompactPCI.VME, VME64 system platform
- The Subracks have good electromagnetic shielding performance

# BEK PRO Economy Series Subracks



3U/4U

- Subrack Shielding case (CompactPCI) · Light beam, Can better reduce the weight, bearing performance unchanged
- Suitable for CompactPCI and VME64x insertion and extractor handles
- Rear horizontal rail for backplane mounting with insulation strip; For applications that install backplanes or connectors, Horizontal rails, rear, for connector mounting (IEC 60603-2 / DIN 41612)
- Typical shielding 40dB at 1 GHz, 30 dB at 2GHz (as to VG 95373 ,part15), on condition that the front is sealed with shielded front panels
- For real I/O application



### Delivery Comprises (kit)

| Item | Name          | Qty | Model  |
|------|---------------|-----|--------|
| 1    | Side panel    | 2   | /      |
| 2    | Front bracket | 2   | /      |
| 3    | Rear bracket  | 2   | /      |
| 4    | Handle        | 2   | Choice |
| 5    | Front rails   | 4   | /      |
| 6    | Rear rails    | 2   | /      |
| 7    | Cover plate   | 2   | /      |

| Item | Name                       | Qty | Model  |
|------|----------------------------|-----|--------|
| 8    | Threaded insert            | 6   | /      |
| 9    | Insulation strip           | 2   | /      |
| 10   | Perforated strip           | 2   | /      |
| 11   | EMC gasket (Front rails)   | 4   | Choice |
| 12   | EMC gasket (Front bracket) | 3   | Choice |
| 13   | EMC gasket (Cover plate)   | 4   | Choice |
| 14   | Screw installation package | 1   | /      |

### Order information

| Height | Width | Depth | Model         | Order no  |
|--------|-------|-------|---------------|-----------|
| 3U     | 42TE  | 245   | Perforated    | 5342-2451 |
| 3U     | 42TE  | 245   | Without holes | 5342-2450 |
| 3U     | 42TE  | 285   | Perforated    | 5342-2851 |
| 3U     | 42TE  | 285   | Without holes | 5342-2850 |
| 3U     | 42TE  | 345   | Perforated    | 5342-3451 |
| 3U     | 42TE  | 345   | Without holes | 5342-3450 |
| 3U     | 63TE  | 245   | Perforated    | 5363-2451 |
| 3U     | 63TE  | 245   | Without holes | 5363-2450 |
| 3U     | 63TE  | 285   | Perforated    | 5363-2851 |
| 3U     | 63TE  | 285   | Without holes | 5363-2850 |
| 3U     | 63TE  | 345   | Perforated    | 5363-3451 |
| 3U     | 63TE  | 345   | Without holes | 5363-3450 |
| 3U     | 84TE  | 245   | Perforated    | 5384-2451 |
| 3U     | 84TE  | 245   | Without holes | 5384-2450 |
| 3U     | 84TE  | 285   | Perforated    | 5384-2851 |
| 3U     | 84TE  | 285   | Without holes | 5384-2850 |
| 3U     | 84TE  | 345   | Perforated    | 5384-3451 |
| 3U     | 84TE  | 345   | Without holes | 5384-3450 |

| Height | Width | Depth | Model         | Material No |
|--------|-------|-------|---------------|-------------|
| 4U     | 42TE  | 245   | Perforated    | 5442-2451   |
| 4U     | 42TE  | 245   | Without holes | 5442-2450   |
| 4U     | 42TE  | 285   | Perforated    | 5442-2851   |
| 4U     | 42TE  | 285   | Without holes | 5442-2850   |
| 4U     | 42TE  | 345   | Perforated    | 5442-3451   |
| 4U     | 42TE  | 345   | Without holes | 5442-3450   |
| 4U     | 63TE  | 245   | Perforated    | 5463-2451   |
| 4U     | 63TE  | 245   | Without holes | 5463-2450   |
| 4U     | 63TE  | 285   | Perforated    | 5463-2851   |
| 4U     | 63TE  | 285   | Without holes | 5463-2850   |
| 4U     | 63TE  | 345   | Perforated    | 5463-3451   |
| 4U     | 63TE  | 345   | Without holes | 5463-3450   |
| 4U     | 84TE  | 245   | Perforated    | 5484-2451   |
| 4U     | 84TE  | 245   | Without holes | 5484-2450   |
| 4U     | 84TE  | 285   | Perforated    | 5484-2851   |
| 4U     | 84TE  | 285   | Without holes | 5484-2850   |
| 4U     | 84TE  | 345   | Perforated    | 5484-3451   |
| 4U     | 84TE  | 345   | Without holes | 5484-3450   |

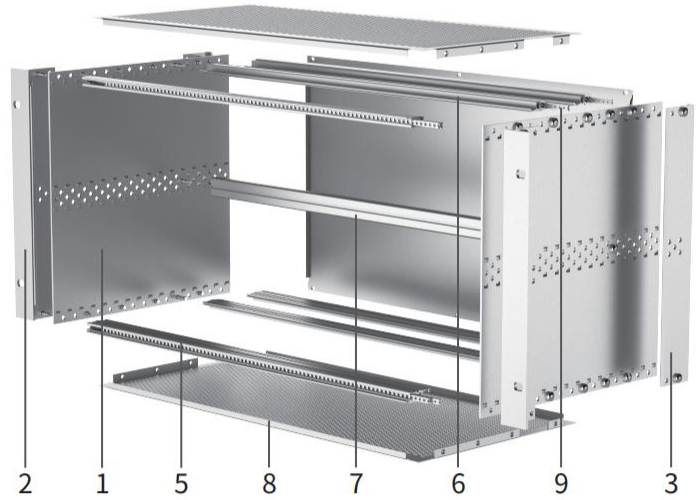
- BEK PRO Economy Series Subracks
- EK&EG PRO Series Subracks
- EK&EG+ PRO Series Subracks
- BEK&BEG PRO Series Subracks
- Handle specification and accessories
- Guide rail specification and accessories
- 19"CUR Series Subracks
- SNCF Series Subracks
- Shielded plug-in units Series Subracks
- VERO Series Subracks
- Protective Series Subracks
- CASE Series Subracks
- Type A Series Subracks
- Rugged Subracks Side panel
- IN-S Series Subracks
- Subracks Accessories
- Panel component
- Order no. and page Table

# BEK PRO Economy Series Subracks



6U

- Subrack Shielding case (CompactPCI) · Light beam, Can better reduce the weight, bearing performance unchanged
- Suitable for CompactPCI and VME64x insertion and extractor handles
- Rear horizontal rail for backplane mounting with insulation strip; For applications that install backplanes or connectors, Horizontal rails, rear, for connector mounting (IEC 60603-2 / DIN 41612)
- Typical shielding 40dB at 1 GHz, 30 dB at 2GHz (as to VG 95373 ,part15), on condition that the front is sealed with shielded front panels
- For real I/O application



### Delivery Comprises(kit)

| Item | Name          | Qty | Model  |
|------|---------------|-----|--------|
| 1    | Side panel    | 2   | /      |
| 2    | Front bracket | 2   | /      |
| 3    | Rear bracket  | 2   | /      |
| 4    | Handle        | 2   | Choice |
| 5    | Front rails   | 4   | /      |
| 6    | Rear rails    | 2   | /      |
| 7    | Middle rails  | 1   | /      |
| 8    | Cover plate   | 2   | /      |

| Item | Name                       | Qty | Model  |
|------|----------------------------|-----|--------|
| 9    | Threaded insert            | 8   | /      |
| 10   | Perforated strip           | 4   | /      |
| 11   | Insulation strip           | 4   | /      |
| 12   | EMC gasket (Front rails)   | 4   | Choice |
| 13   | EMC gasket (Front bracket) | 3   | Choice |
| 14   | EMC gasket (Cover plate)   | 4   | Choice |
| 15   | Screw installation package | 1   | /      |

### Order information

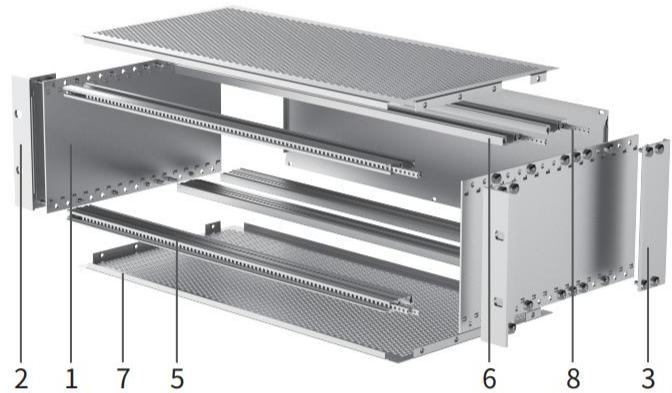
| Height | Width | Depth | Model         | Material No |
|--------|-------|-------|---------------|-------------|
| 6U     | 42TE  | 245   | Perforated    | 5642-2451   |
| 6U     | 42TE  | 245   | Without holes | 5642-2450   |
| 6U     | 42TE  | 285   | Perforated    | 5642-2851   |
| 6U     | 42TE  | 285   | Without holes | 5642-2850   |
| 6U     | 42TE  | 345   | Perforated    | 5642-3451   |
| 6U     | 42TE  | 345   | Without holes | 5642-3450   |
| 6U     | 63TE  | 245   | Perforated    | 5663-2451   |
| 6U     | 63TE  | 245   | Without holes | 5663-2450   |
| 6U     | 63TE  | 285   | Perforated    | 5663-2851   |
| 6U     | 63TE  | 285   | Without holes | 5663-2850   |
| 6U     | 63TE  | 345   | Perforated    | 5663-3451   |
| 6U     | 63TE  | 345   | Without holes | 5663-3450   |
| 6U     | 84TE  | 245   | Perforated    | 5684-2451   |
| 6U     | 84TE  | 245   | Without holes | 5684-2450   |
| 6U     | 84TE  | 285   | Perforated    | 5684-2851   |
| 6U     | 84TE  | 285   | Without holes | 5684-2850   |
| 6U     | 84TE  | 345   | Perforated    | 5684-3451   |
| 6U     | 84TE  | 345   | Without holes | 5684-3450   |

# BEG PRO Rugged Series Subracks



3U/4U

- Subrack Shielding case (CompactPCI) · Heavy beam, Provide better load-bearing performance
- Suitable for CompactPCI and VME64x insertion and extractor handles
- Rear horizontal rail for backplane mounting with insulation strip; For applications that install backplanes or connectors, Horizontal rails, rear, for connector mounting (IEC 60603-2 / DIN 41612)
- Typical shielding 40dB at 1 GHz, 30 dB at 2GHz (as to VG 95373 ,part15), on condition that the front is sealed with shielded front panels
- For real I/O application



### Delivery Comprises(kit)

| Item | Name          | Qty | Model  |
|------|---------------|-----|--------|
| 1    | Side panel    | 2   | /      |
| 2    | Front bracket | 2   | /      |
| 3    | Rear bracket  | 2   | /      |
| 4    | Handle        | 2   | Choice |
| 5    | Front rails   | 4   | /      |
| 6    | Rear rails    | 2   | /      |
| 7    | Cover plate   | 2   | /      |

| Item | Name                       | Qty | Model  |
|------|----------------------------|-----|--------|
| 8    | Threaded insert            | 6   | /      |
| 9    | Perforated strip           | 2   | /      |
| 10   | Insulation strip           | 2   | /      |
| 11   | EMC gasket (Front rails)   | 4   | Choice |
| 12   | EMC gasket (Front bracket) | 3   | Choice |
| 13   | EMC gasket (Cover plate)   | 4   | Choice |
| 14   | Screw installation package | 1   | /      |

### Order information

| Height | Width | Depth | Model         | Order no  |
|--------|-------|-------|---------------|-----------|
| 3U     | 42TE  | 245   | Perforated    | 6342-2451 |
| 3U     | 42TE  | 245   | Without holes | 6342-2450 |
| 3U     | 42TE  | 285   | Perforated    | 6342-2851 |
| 3U     | 42TE  | 285   | Without holes | 6342-2850 |
| 3U     | 42TE  | 345   | Perforated    | 6342-3451 |
| 3U     | 42TE  | 345   | Without holes | 6342-3450 |
| 3U     | 63TE  | 245   | Perforated    | 6363-2451 |
| 3U     | 63TE  | 245   | Without holes | 6363-2450 |
| 3U     | 63TE  | 285   | Perforated    | 6363-2851 |
| 3U     | 63TE  | 285   | Without holes | 6363-2850 |
| 3U     | 63TE  | 345   | Perforated    | 6363-3451 |
| 3U     | 63TE  | 345   | Without holes | 6363-3450 |
| 3U     | 84TE  | 245   | Perforated    | 6384-2451 |
| 3U     | 84TE  | 245   | Without holes | 6384-2450 |
| 3U     | 84TE  | 285   | Perforated    | 6384-2851 |
| 3U     | 84TE  | 285   | Without holes | 6384-2850 |
| 3U     | 84TE  | 345   | Perforated    | 6384-3451 |
| 3U     | 84TE  | 345   | Without holes | 6384-3450 |

| Height | Width | Depth | Model         | Order no  |
|--------|-------|-------|---------------|-----------|
| 4U     | 42TE  | 245   | Perforated    | 6442-2451 |
| 4U     | 42TE  | 245   | Without holes | 6442-2450 |
| 4U     | 42TE  | 285   | Perforated    | 6442-2851 |
| 4U     | 42TE  | 285   | Without holes | 6442-2850 |
| 4U     | 42TE  | 345   | Perforated    | 6442-3451 |
| 4U     | 42TE  | 345   | Without holes | 6442-3450 |
| 4U     | 63TE  | 245   | Perforated    | 6463-2451 |
| 4U     | 63TE  | 245   | Without holes | 6463-2450 |
| 4U     | 63TE  | 285   | Perforated    | 6463-2851 |
| 4U     | 63TE  | 285   | Without holes | 6463-2850 |
| 4U     | 63TE  | 345   | Perforated    | 6463-3451 |
| 4U     | 63TE  | 345   | Without holes | 6463-3450 |
| 4U     | 84TE  | 245   | Perforated    | 6484-2451 |
| 4U     | 84TE  | 245   | Without holes | 6484-2450 |
| 4U     | 84TE  | 285   | Perforated    | 6484-2851 |
| 4U     | 84TE  | 285   | Without holes | 6484-2850 |
| 4U     | 84TE  | 345   | Perforated    | 6484-3451 |
| 4U     | 84TE  | 345   | Without holes | 6484-3450 |

EK&EG PRO Series Subracks  
 EK&EG+PRO Series Subracks  
 BEK&BEG PRO Series Subracks  
 Handle specification and accessories  
 Guide-rail specification and accessories  
 19" CUR Series Subracks  
 SNCF Series Subracks  
 Shielded plug-in units Series Subracks  
 VERO Series Subracks  
 Protective Series Subracks  
 CASE Series Subracks  
 Type A Series Subracks  
 Rugged Subracks Side panel  
 IN-S Series Subracks  
 Subracks Accessories  
 Panel component  
 Order no. and page Table



# BEG PRO Rugged Series Subracks



6U

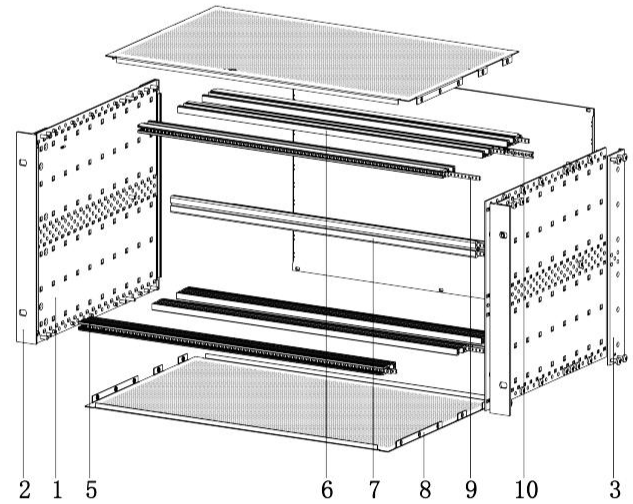
- Subrack Shielding case (CompactPCI) · Heavy beam, Provide better load-bearing performance
- Suitable for CompactPCI and VME64x insertion and extractor handles
- Rear horizontal rail for backplane mounting with insulation strip; For applications that install backplanes or connectors, Horizontal rails, rear, for connector mounting (IEC 60603-2 / DIN 41612)
- Typical shielding 40dB at 1 GHz, 30 dB at 2GHz (as to VG 95373 ,part15), on condition that the front is sealed with shielded front panels
- For real I/O application

### Delivery Comprises(kit)

| Item | Name          | Qty | Model  |
|------|---------------|-----|--------|
| 1    | Side panel    | 2   | /      |
| 2    | Front bracket | 2   | /      |
| 3    | Rear bracket  | 2   | /      |
| 4    | Handle        | 2   | Choice |
| 5    | Front rails   | 4   | /      |
| 6    | Rear rails    | 2   | /      |
| 7    | Middle rails  | 1   | /      |
| 8    | Cover plate   | 2   | /      |

### Order information

| Height | Width | Depth | Model         | Material No |
|--------|-------|-------|---------------|-------------|
| 6U     | 42TE  | 245   | Perforated    | 6642-2451   |
| 6U     | 42TE  | 245   | Without holes | 6642-2450   |
| 6U     | 42TE  | 285   | Perforated    | 6642-2851   |
| 6U     | 42TE  | 285   | Without holes | 6642-2850   |
| 6U     | 42TE  | 345   | Perforated    | 6642-3451   |
| 6U     | 42TE  | 345   | Without holes | 6642-3450   |
| 6U     | 63TE  | 245   | Perforated    | 6663-2451   |
| 6U     | 63TE  | 245   | Without holes | 6663-2450   |
| 6U     | 63TE  | 285   | Perforated    | 6663-2851   |
| 6U     | 63TE  | 285   | Without holes | 6663-2850   |
| 6U     | 63TE  | 345   | Perforated    | 6663-3451   |
| 6U     | 63TE  | 345   | Without holes | 6663-3450   |
| 6U     | 84TE  | 245   | Perforated    | 6684-2451   |
| 6U     | 84TE  | 245   | Without holes | 6684-2450   |
| 6U     | 84TE  | 285   | Perforated    | 6684-2851   |
| 6U     | 84TE  | 285   | Without holes | 6684-2850   |
| 6U     | 84TE  | 345   | Perforated    | 6684-3451   |
| 6U     | 84TE  | 345   | Without holes | 6684-3450   |



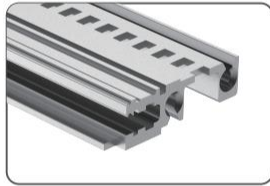
| Item | Name                       | Qty | Model  |
|------|----------------------------|-----|--------|
| 9    | Threaded insert            | 8   | /      |
| 10   | Insulation strip           | 4   | /      |
| 11   | Perforated strip           | 4   | /      |
| 12   | EMC gasket (Front rails)   | 4   | Choice |
| 13   | EMC gasket (Front bracket) | 3   | Choice |
| 14   | EMC gasket (Cover plate)   | 4   | Choice |
| 15   | Screw installation package | 1   | /      |

# BEK&BEG PRO Series Subracks Front horizontal Rail



## Front horizontal Rail

### Order information



**Heavy Type-BEG Short Lip**

Installing a midplane



**Light Type-BEK Short Lip**

Installing a midplane

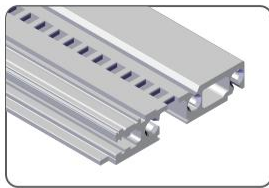


**BEG-Long Lip**

For plug-in units with IEEE handle  
For CompactPCI, VME64x systems

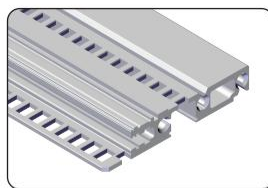
| Model | Order no   | Order no   | Order no   |
|-------|------------|------------|------------|
| 42TE  | 009024201  | 009014203  | 009024203  |
| 63TE  | 009026301  | 009016303  | 009026304  |
| 84TE  | 009028401  | 009018409  | 009028403  |
| 104TE | 0090210401 | 0090110401 | 0090210405 |

Cross Rails setting  
screw M4×12      1004057



**Rugged Short Lip**

Installing a midplane



**Rugged Long Lip**

Installing a midplane

| Model | Order no   | Order no   |
|-------|------------|------------|
| 42TE  | 009034201  | 009034202  |
| 63TE  | 009036301  | 009036302  |
| 84TE  | 009038401  | 009038402  |
| 104TE | 0090310401 | 0090310402 |

|  |
|--|
| EK&BEG PRO Series Subracks               |
| EK+&EG+ PRO Series Subracks              |
| BEK&BEG PRO Series Subracks              |
| Handle specification and accessories     |
| Guide rail specification and accessories |
| 19" CUR Series Subracks                  |
| SNCF Series Subracks                     |
| Shielded plug-in units Series Subracks   |
| VERO Series Subracks                     |
| Protective Series Subracks               |
| CASE Series Subracks                     |
| Type A Series Subracks                   |
| Rugged Subracks Side panel               |
| IN-S Series Subracks                     |
| Subracks Accessories                     |
| Panel component                          |
| Order no. and page Table                 |

# BEK&BEG PRO Series Subracks Rear horizontal Rail



## Rear horizontal Rail

### Order information



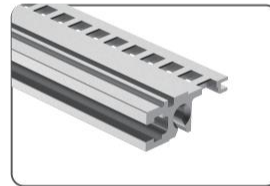
**Heavy Type-BEG**

For indirect mounting of backplanes via insulation strip, order insulation strip separately



**Heavy Type-BEG-Z**

For direct backplane assembly



**LigheType-BEK**

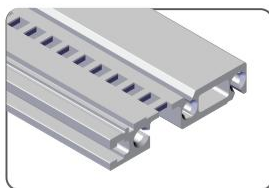
For indirect mounting of backplanes via insulation strip, order insulation strip separately



**LigheType-BEK-Z**

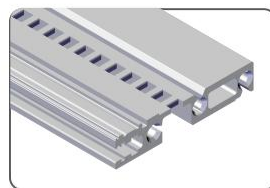
For direct backplane assembly

| Model | Order no   | Order no   | Order no   | Order no   |
|-------|------------|------------|------------|------------|
| 42TE  | 009024204  | 009024202  | 009014202  | 009114202  |
| 63TE  | 009026302  | 009026303  | 009116301  | 009116302  |
| 84TE  | 009028402  | 009028404  | 009018402  | 009018403  |
| 104TE | 0090210402 | 0090210403 | 0090110402 | 0090110403 |



**Rugged Horizontal Rail**

For indirect mounting of backplanes via insulation strip, order insulation strip separately



**Rugged Horizontal Rail-Z**

For direct backplane assembly



**BEK With integral Z rail Rear rails**

For direct mounting of connectors according to EN60603-2(DIN60297)



**BEG With integral Z rail Rear rails**

For direct mounting of connectors according to EN60603-2(DIN60297)

| Model | Order no   | Order no   | Order no   | Order no   |
|-------|------------|------------|------------|------------|
| 42TE  | 009034203  | 009034204  | 009014205  | 009024205  |
| 63TE  | 009036303  | 009036304  | 009016304  | 009026305  |
| 84TE  | 009038403  | 009038404  | 009018404  | 009028405  |
| 104TE | 0090310403 | 0090310404 | 0090110404 | 0090210404 |

# BEK&BEG PRO Series Subracks Middle rails



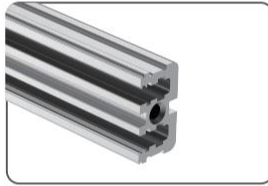
## Middle rails

### Order information



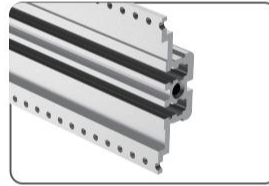
**Light Type BEK Middle Rail**

For indirect mounting of backplanes via insulation strip, order insulation strip separately



**Light Type BEK-Z Middle Rail**

For direct backplane assembly



**BEK With integral Z rail Middle rails**

For direct mounting of connectors according to EN60603-2(DIN60297)

| Model | Order no   | Order no   | Order no   |
|-------|------------|------------|------------|
| 42TE  | 009014208  | 009014207  | 009014209  |
| 63TE  | 009016308  | 009016307  | 009016309  |
| 84TE  | 009018408  | 009018407  | 009018405  |
| 104TE | 0090110408 | 0090110407 | 0090110409 |

|  |
|--|
| EK&EG PRO Series Subracks                |
| EK&EG+ PRO Series Subracks               |
| BEK&BEG PRO Series Subracks              |
| Handle specification and accessories     |
| Guide rail specification and accessories |
| 19"CUR Series Subracks                   |
| SNCF Series Subracks                     |
| Shielded plug-in units Series Subracks   |
| VERO Series Subracks                     |
| Protective Series Subracks               |
| CASE Series Subracks                     |
| Type A Series Subracks                   |
| Rugged Subracks Side panel               |
| IN-S Series Subracks                     |
| Subracks Accessories                     |
| Panel component                          |
| Order no. and page Table                 |

# BEK&BEG PRO Series Subracks Front and Rear Rail



## Front and Rear Rail

### Order information



#### Front and Rear Rail

For CompactPCI at rear/O-area  
and 3,6U assembly

| Model | Order no   |
|-------|------------|
| 42TE  | 009014206  |
| 63TE  | 009016306  |
| 84TE  | 009018406  |
| 104TE | 0090110406 |

# BEK&BEG PRO Series Subracks

## Side panel type F



### Side panel type F

#### Order information

| Height U     | Depth mm | Side panel type F | 19"bracket without handle holes | 19"bracket with handle holes | 19"bracket depth-adjustable | Wall-mounting bracket | Rear angle for stainless steel gasket | EMC stainless steel gasket |
|--------------|----------|-------------------|---------------------------------|------------------------------|-----------------------------|-----------------------|---------------------------------------|----------------------------|
| 3            | 175      | 01131750          |                                 |                              |                             |                       |                                       |                            |
| 3            | 235      | 01132350          |                                 |                              |                             |                       |                                       |                            |
| 3            | 295      | 01132950          | 01131751                        | 01131752                     | 01131753                    | 01131754              | 01131755                              | 1008007                    |
| 3            | 355      | 01133550          |                                 |                              |                             |                       |                                       |                            |
| 3            | 415      | 01134150          |                                 |                              |                             |                       |                                       |                            |
| 4            | 175      | 01141750          |                                 |                              |                             |                       |                                       |                            |
| 4            | 235      | 01142350          |                                 |                              |                             |                       |                                       |                            |
| 4            | 295      | 01142950          | 01141751                        | 01141752                     | 01141753                    | 01141754              | 01141755                              | 1008008                    |
| 4            | 355      | 01143550          |                                 |                              |                             |                       |                                       |                            |
| 4            | 415      | 01144150          |                                 |                              |                             |                       |                                       |                            |
| 5            | 175      | 01151750          |                                 |                              |                             |                       |                                       |                            |
| 5            | 235      | 01152350          |                                 |                              |                             |                       |                                       |                            |
| 5            | 295      | 01152950          | 01151751                        | 01151752                     | 01151753                    | 01151754              | 01151755                              | -                          |
| 5            | 355      | 01153550          |                                 |                              |                             |                       |                                       |                            |
| 5            | 415      | 01154150          |                                 |                              |                             |                       |                                       |                            |
| 6            | 175      | 01161750          |                                 |                              |                             |                       |                                       |                            |
| 6            | 235      | 01162350          |                                 |                              |                             |                       |                                       |                            |
| 6            | 295      | 01162950          | 01161751                        | 01161752                     | 01161753                    | 01161754              | 01161755                              | 1008009                    |
| 6            | 355      | 01163550          |                                 |                              |                             |                       |                                       |                            |
| 6            | 415      | 01164150          |                                 |                              |                             |                       |                                       |                            |
| 9            | 175      | 01191750          |                                 |                              |                             |                       |                                       |                            |
| 9            | 235      | 01192350          |                                 |                              |                             |                       |                                       |                            |
| 9            | 295      | 01192950          | 01191751                        | 01191752                     | 01191753                    | 01191754              | 01191755                              | -                          |
| 9            | 355      | 01193550          |                                 |                              |                             |                       |                                       |                            |
| 9            | 415      | 01194150          |                                 |                              |                             |                       |                                       |                            |
| Screw, M4*14 |          | 1004229           | 1004229                         | 1004229                      | 1004229                     | -                     | 1004229                               | -                          |

#### Note :

- CompactPCI
- VME64x
- Grid holes of side panel 3 + 1 U
- Grid holes of side panel 1+3+1U

# BEK&BEG PRO Series Subracks

## Side panel type F



### Side panel type F

#### Order information

| Height U     | Depth mm | Side panel type F | 19"bracket without handle holes | 19"bracket with handle holes | 19"bracket depth-adjustable | Wall-mounting bracket | Rear angle for stainless steel gasket | EMC textile gasket |
|--------------|----------|-------------------|---------------------------------|------------------------------|-----------------------------|-----------------------|---------------------------------------|--------------------|
| 3            | 175      | 01131750          |                                 |                              |                             |                       |                                       |                    |
| 3            | 235      | 01132350          |                                 |                              |                             |                       |                                       |                    |
| 3            | 295      | 01132950          | 02131751                        | 02131752                     | 01131753                    | 01131754              | 02131755                              | 1008037            |
| 3            | 355      | 01133550          |                                 |                              |                             |                       |                                       |                    |
| 3            | 415      | 01134150          |                                 |                              |                             |                       |                                       |                    |
| 4            | 175      | 01141750          |                                 |                              |                             |                       |                                       |                    |
| 4            | 235      | 01142350          |                                 |                              |                             |                       |                                       |                    |
| 4            | 295      | 01142950          | 02141751                        | 02141752                     | 01141753                    | 01141754              | 02141755                              | 1008045            |
| 4            | 355      | 01143550          |                                 |                              |                             |                       |                                       |                    |
| 4            | 415      | 01144150          |                                 |                              |                             |                       |                                       |                    |
| 5            | 175      | 01151750          |                                 |                              |                             |                       |                                       |                    |
| 5            | 235      | 01152350          |                                 |                              |                             |                       |                                       |                    |
| 5            | 295      | 01152950          | 02151751                        | 02151752                     | 01151753                    | 01151754              | 02151755                              | 1008053            |
| 5            | 355      | 01153550          |                                 |                              |                             |                       |                                       |                    |
| 5            | 415      | 01154150          |                                 |                              |                             |                       |                                       |                    |
| 6            | 175      | 01161750          |                                 |                              |                             |                       |                                       |                    |
| 6            | 235      | 01162350          |                                 |                              |                             |                       |                                       |                    |
| 6            | 295      | 01162950          | 02161751                        | 02161752                     | 01161753                    | 01161754              | 02161755                              | 1008038            |
| 6            | 355      | 01163550          |                                 |                              |                             |                       |                                       |                    |
| 6            | 415      | 01164150          |                                 |                              |                             |                       |                                       |                    |
| 9            | 175      | 01191750          |                                 |                              |                             |                       |                                       |                    |
| 9            | 235      | 01192350          |                                 |                              |                             |                       |                                       |                    |
| 9            | 295      | 01192950          | 02191751                        | 02191752                     | 01191753                    | 01191754              | 02191755                              | 1008054            |
| 9            | 355      | 01193550          |                                 |                              |                             |                       |                                       |                    |
| 9            | 415      | 01194150          |                                 |                              |                             |                       |                                       |                    |
| Screw, M4*14 |          | 1004229           | 1004229                         | 1004229                      | 1004229                     | -                     | 1004229                               | -                  |

#### Note :

- CompactPCI
- VME64x
- Grid holes of side panel 3 U+ 1 U
- Grid holes of side panel 1U+3U+1U

# BEK&BEG PRO Series Subracks Side panel type F&H



## Side panel type F&H

### Order information

| Height U     | Depth mm | Side panel type L | Front cover for type L |
|--------------|----------|-------------------|------------------------|
| 3            | 175      | 01231756          | 02231756               |
| 3            | 235      | 01232356          |                        |
| 3            | 295      | 01232956          |                        |
| 6            | 175      | 01261756          | 02261756               |
| 6            | 235      | 01262356          |                        |
| 6            | 295      | 01262956          |                        |
| Screw, M4*14 |          | 1004229           | -                      |

## Side panel type H

### Order information

| Height U     | Depth mm | Type H without handle holes | Type H with handle holes | EMC stainless steel gasket | Height U     | Depth mm | Type H without handle holes | Type H with handle holes | EMC textile gasket |
|--------------|----------|-----------------------------|--------------------------|----------------------------|--------------|----------|-----------------------------|--------------------------|--------------------|
| 3            | 175      | 01331757                    | 01331758                 | 1008007                    | 3            | 175      | 02331757                    | 02331758                 | 1008037            |
| 3            | 235      | 01332357                    | 01332358                 |                            | 3            | 235      | 02332357                    | 02332358                 |                    |
| 3            | 295      | 01332957                    | 01332958                 |                            | 3            | 295      | 02332957                    | 02332958                 |                    |
| 3            | 355      | 01333557                    | 01333558                 |                            | 3            | 355      | 02333557                    | 02333558                 |                    |
| 6            | 175      | 01361757                    | 01361758                 | 1008009                    | 6            | 175      | 02361757                    | 02361758                 | 1008038            |
| 6            | 235      | 01362357                    | 01362358                 |                            | 6            | 235      | 02362357                    | 02362358                 |                    |
| 6            | 295      | 01362957                    | 01362958                 |                            | 6            | 295      | 02362957                    | 02362958                 |                    |
| 6            | 355      | 01363557                    | 01363558                 |                            | 6            | 355      | 02363557                    | 02363558                 |                    |
| Screw, M4*14 |          | 1004229                     | 1004229                  | -                          | Screw, M4*14 |          | 1004229                     | 1004229                  | -                  |

### Note :

- Beam fixing screws need to be ordered separately

|  |
|--|
| EK&EG PRO Series Subracks                |
| EK&EG+ PRO Series Subracks               |
| BEK&BEG PRO Series Subracks              |
| Handle specification and accessories     |
| Guide rail specification and accessories |
| 19"CUR Series Subracks                   |
| SNCF Series Subracks                     |
| Shielded plug-in units Series Subracks   |
| VERO Series Subracks                     |
| Protective Series Subracks               |
| CASE Series Subracks                     |
| Type A Series Subracks                   |
| Rugged Subracks Side panel               |
| IN-S Series Subracks                     |
| Subracks Accessories                     |
| Panel component                          |
| Order no. and page Table                 |



# BEK&BEG PRO Series Subracks

## Side panel type R



### Side panel type R

#### Order information

| Height<br>U  | Depth<br>mm | Side panel type F | Rear angle for<br>stainless steel gasket | EMC textile gasket |
|--------------|-------------|-------------------|--|--------------------|
|              |             |                   |  |                    |
| 3            | 175         | 02431752          |  |                    |
| 3            | 235         | 02432352          |  |                    |
| 3            | 295         | 02432952          | 02431752                                 | 1008037            |
| 3            | 355         | 02433552          |  |                    |
| 3            | 415         | 02434152          |  |                    |
| 6            | 175         | 02461752          |  |                    |
| 6            | 235         | 02462352          |  |                    |
| 6            | 295         | 02462952          | 02461752                                 | 1008045            |
| 6            | 355         | 02463552          |  |                    |
| 6            | 415         | 02464152          |  |                    |
| Screw, M4*14 |             | 1004229           | 1004229                                  | -                  |

