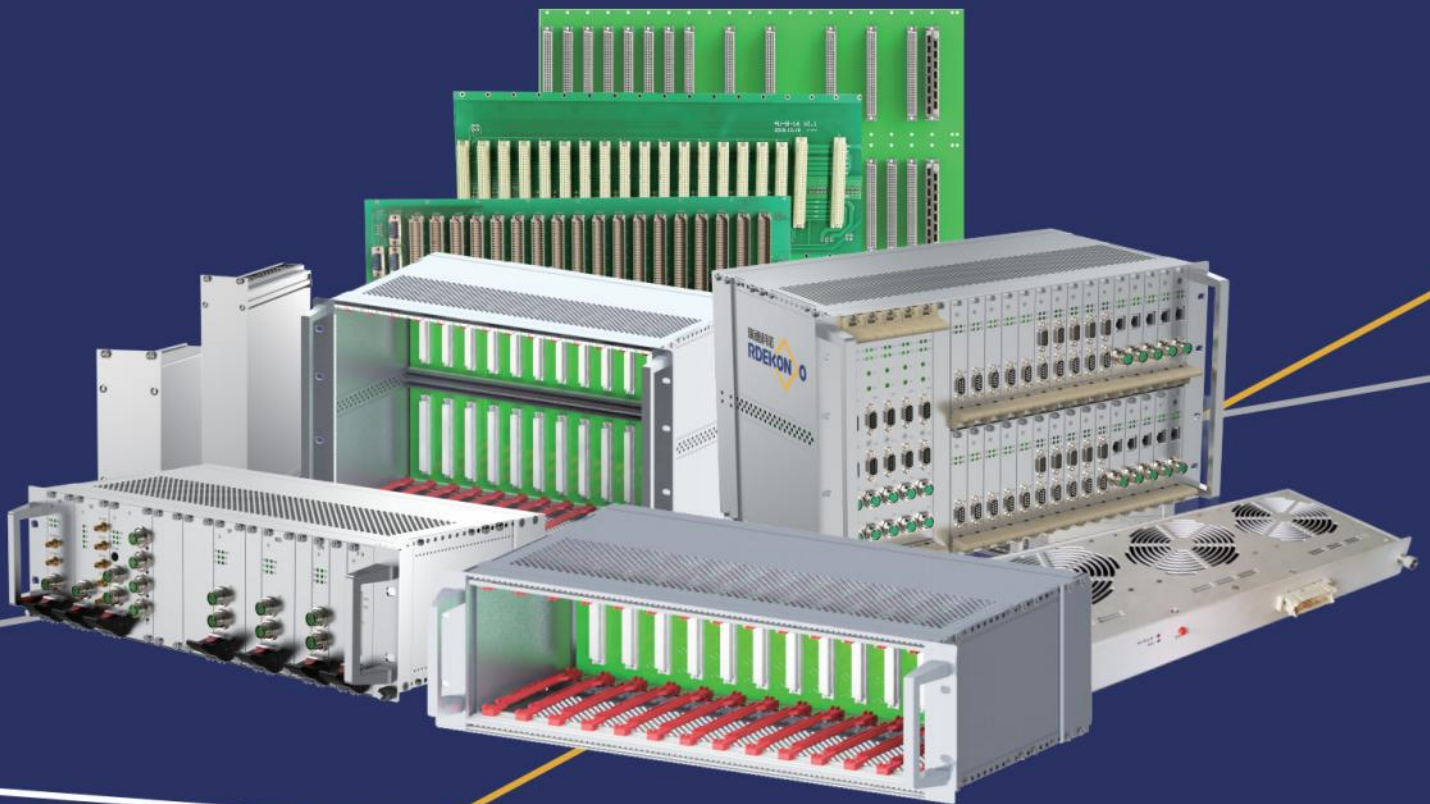


SUBRACK

Model Selection Manual for Subracks

BEIJING RDEKONO ELECTRONIC EQUIPMENT CO.,LTD

Responsibility and Innovation Connection and protection





Beijing RdeKono Electronic Equipment Beijing Rdekono Electronic Equipment co., Ltd



Beijing Rdekono Electronic Equipment Co., Ltd. is a scientific and technological enterprise engaged in products design and manufacturing, with national high-tech enterprise qualification and ISO TS22163 quality management system.

We have operation headquarters and R&D center in Beijing, a parts processing center in Cangzhou, and a complete equipment manufacturing center in Tianjin. Rdekono has a professional design team based on the complete equipment engineering technology. Rdekono has multiple technology integration design capabilities and focuses on the R&D of complete equipment system. Our technical scope includes usability design, structural design, heat dissipation design, electromagnetic shielding design, power distribution design, reliability protection design and other professional fields.

Our technical development concept is -profit users and save manufacturing cost. Through design innovative and advanced manufacturing technology, we can provide customers with complete services from product design, mechanical manufacturing to electrical and mechanical parts assembly. Rdekono is committed to helping our customers improve product competitiveness and reduce development and production costs, shorten the development cycle, and achieve market goals fast.

Mission: Integration of innovation, excellence, development and manufacturing of competitive products.

Enterprise vision: TO become a first-class electronic mechanical structure solution supplier.

Core values: Achieve cus TO mer value, improve employee welfare, return TO all shareholders.

RDEKONO



EK&EG PRO Series Subracks	1~12
EK+&EG+ PRO Series Subracks	13~22
BEK&BEG PRO Series Subracks	23~37
Handle specification and accessories	38~75
Guide rail specification and accessories	76~88
19"CUR Series Subracks	89~97
SNCF Series Subracks	98~101
Shielded plug-in units Series Subracks	102~114
VERO Series Subracks	115~118
Protective Series Subracks	119~120
CASE Series Subracks	121~122
Type A Series Subracks	123~128
Integrated side panel Subracks	129~132
IN-S Series Subracks	133~134
Subracks Accessories	135~157
Panel component	158~224
I Handle Panel component	158~161
I-SX Handle Panel component	162~165
III Handle Panel component	166~169
V Handle Panel component	170~175
VI Handle Panel component	176~182
T01 Handle Panel component	183~188
T02 Handle Panel component	189~194
T04 Handle Panel component	195~200
T06 Handle Panel component	201~206



- T07 Handle Panel component.....207~212
- T08 Handle Panel component.....213~218
- T46 Handle Panel component.....219~224
- Application of Offset Handle.....225



Standards/certifications

Inner and outer dimensions meet: IEC 60297-3-101, IEC 60297-3-102, IEC 60297-3-103, IEEE 1101.1 and IEEE 1101.10/11

Type of protection IP20 in accordance with IEC 60529

EMC testing to IEC 61587-3

Shock and vibration test reports: German "Bahn" standards BN 411002, BN 411003; NF F 60002, NF F 67012

IEC 61587-2, EN 50155, part 12.2.11

Customized service

Customize the side panel of the Subracks

Panel and panel opening, screen printing

EK&EG PRO Series Subracks introduction

EK&EG PRO series Subracks is a series of Subracks products developed by **RDEKONO** for the application of the 19" standard Subracks. After years of practical application shows that the EK&EGPRO series Subracks has stable performance, solid structure and meets all the requirements of the 19" standard size and application. At the same time, the EK&EGPRO series Subracks has the characteristics of high cost performance, rich components, flexible configuration and so on, which can meet the use requirements to the greatest extent

EK&EG PRO Series Subracks introduction

EK&EG PRO series Subracks is widely used in all kinds of standard electronic equipment and user-defined electronic systems, can be used to build CompactPCI, VME, VME64, PXI and other systems, can also be used as a general electronic plug-in box

RDEKONO PRO 3/6U Subrack(Railway Applications)

- Unshielded and shielded versions NFF61005/60002
- Unshielded and shielded versions EN50155 subrack
- Shielded versions for CompactPCI applications



19 "Subrack Subracks

- Shock and vibration resistant to IEC 61587-2, EN 50155, NFF 67012/NF F 60002, German railway standards BN 411002/411003
- IEC 60297-3-101, IEC 60297-3-102, IEC 60297-3-103, IEEE 1101.1 and IEEE 1101.10/11 compatible
- Designed for extractor handles to IEEE 1101.10/11 and IEC 60297-3-103 for CompactPCI and VME 64x application
- EMC shielding easily retrofittable if needed

RDEKON PRO 3/6U Subrack(Kits)

- Unshielded and shielded versions
- Shielded versions for CompactPCI applications

EK&EG PRO Series Subracks Features

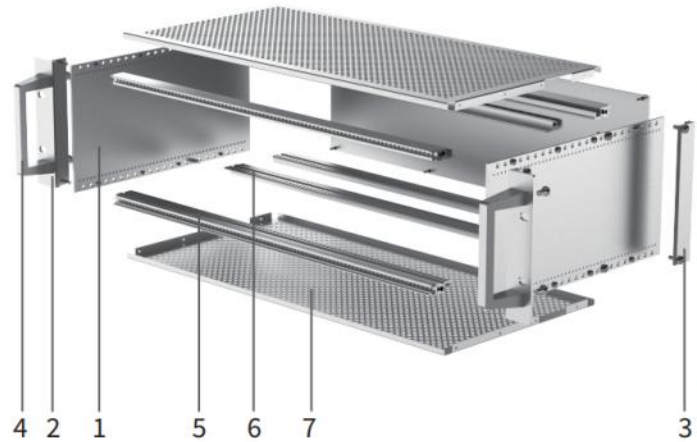
- **RDEKON** 19"Subrack , manufactured by advanced technology
- EK&EG PRO series products meet the 19" standard, easy to assemble (Refer to the company's 19" standard summary manual for details). Fully reflected the standardization, module The characteristics and advantages of chemical and serialization
- All series of products adopt universal standard parts combination, reflecting a high degree of flexibility, customers can according to the specific needs of the general standard parts or customized product vibration, impact test standards: according to IEC61587-1, NE50155, BN411002,NF F67012, NF F67002 test
- Complies with IEEE 1101.1 standard
- Can be used to build CompactPCI.VME, VME64 system platform
- The Subracks have good electromagnetic shielding performance

EK PRO Economy Series Subracks



3U/4U

- Subrack Shielding case (CompactPCI) • Light beam, Can better reduce the weight, bearing performance unchanged
- Suitable for CompactPCI and VME64x insertion and extractor handles
- Rear horizontal rail for backplane mounting with insulation strip; For applications that install backplanes or connectors, Horizontal rails, rear, for connector mounting (IEC 60603-2 / DIN 41612)
- Typical shielding 40dB at 1 GHz, 30 dB at 2GHz (as to VG 95373 ,part15), on condition that the front is sealed with shielded front panels
- For real I/O application



Delivery Comprises(kit)

Item	Name	Qty	Model
1	Side panel	2	/
2	Front bracket	2	/
3	Rear angle	2	/
4	Handle	2	choice
5	Front rails	4	/
6	Rear rails	2	/

Item	Name	Qty	Model
7	Cover plate	2	/
8	Threaded insert	6	/
9	Insulation strip	8	/
10	EMC gasket (Front rails)	4	choice
11	EMC gasket (Front bracket)	3	choice
12	EMC gasket (Cover plate)	4	choice

Order information

Height	Width	Depth	Model	Order no
3U	42TE	245	Perforated	1342-2451
3U	42TE	245	Without holes	1342-2450
3U	42TE	285	Perforated	1342-2851
3U	42TE	285	Without holes	1342-2850
3U	42TE	345	Perforated	1342-3451
3U	42TE	345	Without holes	1342-3450
3U	63TE	245	Perforated	1363-2451
3U	63TE	245	Without holes	1363-2450
3U	63TE	285	Perforated	1363-2851
3U	63TE	285	Without holes	1363-2850
3U	63TE	345	Perforated	1363-3451
3U	63TE	345	Without holes	1363-3450
3U	84TE	245	Perforated	1384-2451
3U	84TE	245	Without holes	1384-2450
3U	84TE	285	Perforated	1384-2851
3U	84TE	285	Without holes	1384-2850
3U	84TE	345	Perforated	1384-3451
3U	84TE	345	Without holes	1384-3450

Height	Width	Depth	Model	Material No
4U	42TE	245	Perforated	1442-2451
4U	42TE	245	Without holes	1442-2450
4U	42TE	285	Perforated	1442-2851
4U	42TE	285	Without holes	1442-2850
4U	42TE	345	Perforated	1442-3451
4U	42TE	345	Without holes	1442-3450
4U	63TE	245	Perforated	1463-2451
4U	63TE	245	Without holes	1463-2450
4U	63TE	285	Perforated	1463-2851
4U	63TE	285	Without holes	1463-2850
4U	63TE	345	Perforated	1463-3451
4U	63TE	345	Without holes	1463-3450
4U	84TE	245	Perforated	1484-2451
4U	84TE	245	Without holes	1484-2450
4U	84TE	285	Perforated	1484-2851
4U	84TE	285	Without holes	1484-2850
4U	84TE	345	Perforated	1484-3451
4U	84TE	345	Without holes	1484-3450

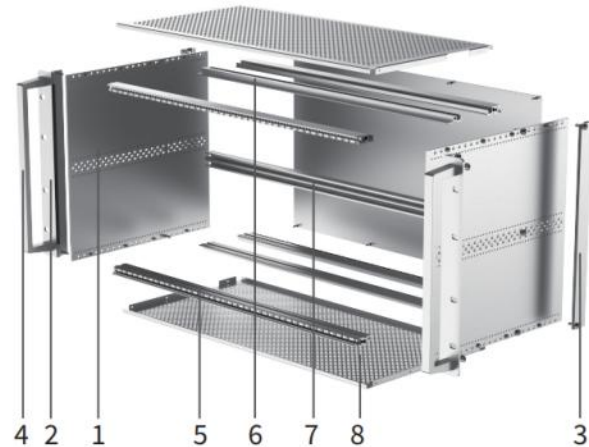
EK&EG-PRO Series Subracks
 EK&EG+PRO Series Subracks
 BEK&BEG PRO Series Subracks
 Handle specification and accessories
 Guide rail specification and accessories
 19" CUR Series Subracks
 SNCF Series Subracks
 Shielded plug-in units Series Subracks
 VERO Series Subracks
 Protective Series Subracks
 CASE Series Subracks
 Type A Series Subracks
 Integrated side panel series subracks
 IN-S Series Subracks
 Subracks Accessories
 Panel component
 Order no. and page Table

EK PRO Economy Series Subracks



6U

- Subrack Shielding case (CompactPCI) · Light beam, Can better reduce the weight, bearing performance unchanged
- Suitable for CompactPCI and VME64x insertion and extractor handles
- Rear horizontal rail for backplane mounting with insulation strip; For applications that install backplanes or connectors, Horizontal rails, rear, for connector mounting (IEC 60603-2 / DIN 41612)
- Typical shielding 40dB at 1 GHz, 30 dB at 2GHz (as to VG 95373 ,part15), on condition that the front is sealed with shielded front panels
- For real I/O application



Delivery Comprises(kit)

Item	Name	Qty	Model
1	Side panel	2	/
2	Front bracket	2	/
3	Rear angle	2	/
4	Handle	2	choice
5	Front rails	4	/
6	Rear rails	2	/
7	Middle rails	1	/

Item	Name	Qty	Model
8	Cover plate	2	/
9	Threaded insert	6	/
10	Insulation strip	16	/
11	EMC gasket (Front rails)	4	choice
12	EMC gasket (Front bracket)	3	choice
13	EMC gasket (Cover plate)	4	choice

Order information

Height	Width	Depth	Model	Material No
6U	42TE	245	Perforated	1642-2451
6U	42TE	245	Without holes	1642-2450
6U	42TE	285	Perforated	1642-2851
6U	42TE	285	Without holes	1642-2850
6U	42TE	345	Perforated	1642-3451
6U	42TE	345	Without holes	1642-3450
6U	63TE	245	Perforated	1663-2451
6U	63TE	245	Without holes	1663-2450
6U	63TE	285	Perforated	1663-2851
6U	63TE	285	Without holes	1663-2850
6U	63TE	345	Perforated	1663-3451
6U	63TE	345	Without holes	1663-3450
6U	84TE	245	Perforated	1684-2451
6U	84TE	245	Without holes	1684-2450
6U	84TE	285	Perforated	1684-2851
6U	84TE	285	Without holes	1684-2850
6U	84TE	345	Perforated	1684-3451
6U	84TE	345	Without holes	1684-3450

EG PRO Rugged Series Subracks



3U/4U

- Subrack Shielding case (CompactPCI) • Heavy beam, Provide better load-bearing performance
- Suitable for CompactPCI and VME64x insertion and extractor handles
- Rear horizontal rail for backplane mounting with insulation strip; For applications that install backplanes or connectors, Horizontal rails, rear, for connector mounting (IEC 60603-2 / DIN 41612)
- Typical shielding 40dB at 1 GHz, 30 dB at 2GHz (as to VG 95373 ,part15), on condition that the front is sealed with shielded front panels
- For real I/O application



Delivery Comprises(kit)

Item	Name	Qty	Model
1	Side panel	2	/
2	Front bracket	2	/
3	Rear angle	2	/
4	Handle	2	Choice
5	Front rails	4	/
6	Rear rails	2	/

Item	Name	Qty	Model
7	Cover plate	2	/
8	Threaded insert	6	/
9	Insulation strip	8	/
10	EMC gasket (Front rails)	4	Choice
11	EMC gasket (Front bracket)	3	Choice

Order information

Height	Width	Depth	Model	Order no
3U	42TE	245	Perforated	2342-2451
3U	42TE	245	Without holes	2342-2450
3U	42TE	285	Perforated	2342-2851
3U	42TE	285	Without holes	2342-2850
3U	42TE	345	Perforated	2342-3451
3U	42TE	345	Without holes	2342-3450
3U	63TE	245	Perforated	2363-2451
3U	63TE	245	Without holes	2363-2450
3U	63TE	285	Perforated	2363-2851
3U	63TE	285	Without holes	2363-2850
3U	63TE	345	Perforated	2363-3451
3U	63TE	345	Without holes	2363-3450
3U	84TE	245	Perforated	2384-2451
3U	84TE	245	Without holes	2384-2450
3U	84TE	285	Perforated	2384-2851
3U	84TE	285	Without holes	2384-2850
3U	84TE	345	Perforated	2384-3451
3U	84TE	345	Without holes	2384-3450

Height	Width	Depth	Model	Material No
4U	42TE	245	Perforated	2442-2451
4U	42TE	245	Without holes	2442-2450
4U	42TE	285	Perforated	2442-2851
4U	42TE	285	Without holes	2442-2850
4U	42TE	345	Perforated	2442-3451
4U	42TE	345	Without holes	2442-3450
4U	63TE	245	Perforated	2463-2451
4U	63TE	245	Without holes	2463-2450
4U	63TE	285	Perforated	2463-2851
4U	63TE	285	Without holes	2463-2850
4U	63TE	345	Perforated	2463-3451
4U	63TE	345	Without holes	2463-3450
4U	84TE	245	Perforated	2484-2451
4U	84TE	245	Without holes	2484-2450
4U	84TE	285	Perforated	2484-2851
4U	84TE	285	Without holes	2484-2850
4U	84TE	345	Perforated	2484-3451
4U	84TE	345	Without holes	2484-3450

ERAEG PRO Series Subracks

EK+EG+PRO Series Subracks

BEK&BEG PRO Series Subracks

Handle specification and accessories

Guide rail specification and accessories

19" CUR Series Subracks

SNCF Series Subracks

Shielded plug-in units Series Subracks

VERO Series Subracks

Protective Series Subracks

CASE Series Subracks

Type A Series Subracks

Integrated side panel series subracks

IN-S Series Subracks

Subracks Accessories

Panel component

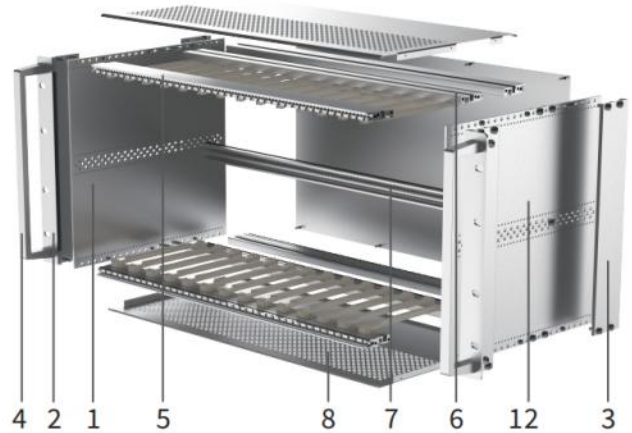
Order no. and page table

EG PRO Rugged Series Subracks



6U

- Subrack Shielding case (CompactPCI) • Heavy beam, Provide better load-bearing performance
- Suitable for CompactPCI and VME64x insertion and extractor handles
- Rear horizontal rail for backplane mounting with insulation strip; For applications that install backplanes or connectors, Horizontal rails, rear, for connector mounting (IEC 60603-2 / DIN 41612)
- Typical shielding 40dB at 1 GHz, 30 dB at 2GHz (as to VG 95373 ,part15), on condition that the front is sealed with shielded front panels
- For real I/O application



Delivery Comprises(kit)

Item	Name	Qty	Model
1	Side panel	2	/
2	Front bracket	2	/
3	Rear angle	2	/
4	Handle	2	choice
5	Front rails	4	/
6	Rear rails	2	/
7	Middle rails	1	/

Item	Name	Qty	Model
8	Cover plate	2	/
9	Threaded insert	6	/
10	Insulation strip	16	/
11	EMC gasket (Front rails)	4	choice
12	EMC gasket (Front bracket)	3	choice

Order information

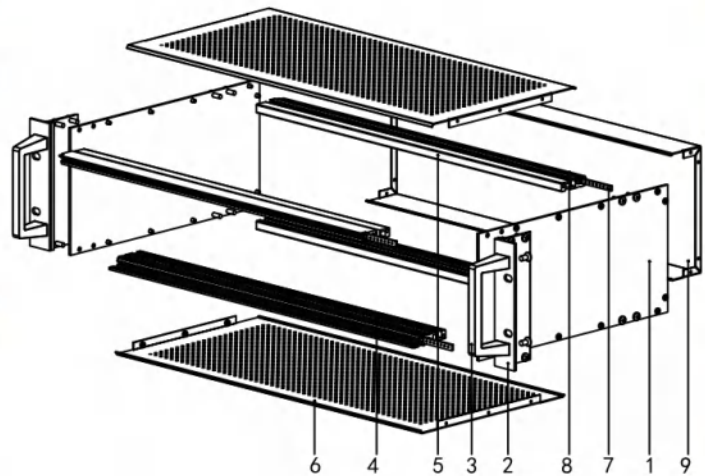
Height	Width	Depth	Model	Material No
6U	42TE	245	Perforated	2642-2451
6U	42TE	245	Without holes	2642-2450
6U	42TE	285	Perforated	2642-2851
6U	42TE	285	Without holes	2642-2850
6U	42TE	345	Perforated	2642-3451
6U	42TE	345	Without holes	2642-3450
6U	63TE	245	Perforated	2663-2451
6U	63TE	245	Without holes	2663-2450
6U	63TE	285	Perforated	2663-2851
6U	63TE	285	Without holes	2663-2850
6U	63TE	345	Perforated	2663-3451
6U	63TE	345	Without holes	2663-3450
6U	84TE	245	Perforated	2684-2451
6U	84TE	245	Without holes	2684-2450
6U	84TE	285	Perforated	2684-2851
6U	84TE	285	Without holes	2684-2850
6U	84TE	345	Perforated	2684-3451
6U	84TE	345	Without holes	2684-3450

EG PRO Rugged Series Subracks



3U/4U

- Subrack Shielding case (CompactPCI) • Heavy beam, Provide better load-bearing performance
- Suitable for CompactPCI and VME64x insertion and extractor handles
- Rear horizontal rail for backplane mounting with insulation strip; For applications that install backplanes or connectors, Horizontal rails, rear, for connector mounting (IEC 60603-2 / DIN 41612)
- Typical shielding 40dB at 1 GHz, 30 dB at 2GHz (as to VG 95373 ,part15), on condition that the front is sealed with shielded front panels
- For real I/O application



Delivery Comprises(kit)

Item	Name	Qty	Model
1	Side panel	2	/
2	Front bracket	2	/
3	Handle	2	Choice
4	Front rails	2	/
5	Rear rails	2	/
6	Cover plate	2	/

Item	Name	Qty	Model
7	Threaded insert	6	/
8	Insulation strip	8	/
9	Bent back panel	1	/
10	EMC gasket (Front rails)	4	Choice
11	EMC gasket (Front bracket)	3	Choice

Order information

Height	Width	Depth	Model	Order no
3U	42TE	245	Perforated	2342-24514
3U	42TE	245	Without holes	2342-24504
3U	42TE	285	Perforated	2342-28514
3U	42TE	285	Without holes	2342-28504
3U	42TE	345	Perforated	2342-34514
3U	42TE	345	Without holes	2342-34504
3U	63TE	245	Perforated	2363-24514
3U	63TE	245	Without holes	2363-24504
3U	63TE	285	Perforated	2363-28514
3U	63TE	285	Without holes	2363-28504
3U	63TE	345	Perforated	2363-34514
3U	63TE	345	Without holes	2363-34504
3U	84TE	245	Perforated	2384-24514
3U	84TE	245	Without holes	2384-24504
3U	84TE	285	Perforated	2384-28514
3U	84TE	285	Without holes	2384-28504
3U	84TE	345	Perforated	2384-34514
3U	84TE	345	Without holes	2384-34504

Height	Width	Depth	Model	Order no
4U	42TE	245	Perforated	2442-24514
4U	42TE	245	Without holes	2442-24504
4U	42TE	285	Perforated	2442-28514
4U	42TE	285	Without holes	2442-28504
4U	42TE	345	Perforated	2442-34514
4U	42TE	345	Without holes	2442-34504
4U	63TE	245	Perforated	2463-24514
4U	63TE	245	Without holes	2463-24504
4U	63TE	285	Perforated	2463-28514
4U	63TE	285	Without holes	2463-28504
4U	63TE	345	Perforated	2463-34514
4U	63TE	345	Without holes	2463-34504
4U	84TE	245	Perforated	2484-24514
4U	84TE	245	Without holes	2484-24504
4U	84TE	285	Perforated	2484-28514
4U	84TE	285	Without holes	2484-28504
4U	84TE	345	Perforated	2484-34514
4U	84TE	345	Without holes	2484-34504

EK&EG PRO Series Subracks

EK+EG+ PRO Series Subracks

BEM&BEG PRO Series Subracks

Handle specification and accessories

Guide-rail specification and accessories

19" CUR Series Subracks

SNCF Series Subracks

Shielded plug-in units Series Subracks

VERO Series Subracks

Protective Series Subracks

CASE Series Subracks

Type A Series Subracks

Integrated side panel series subracks

IN-S Series Subracks

Subracks Accessories

Panel component

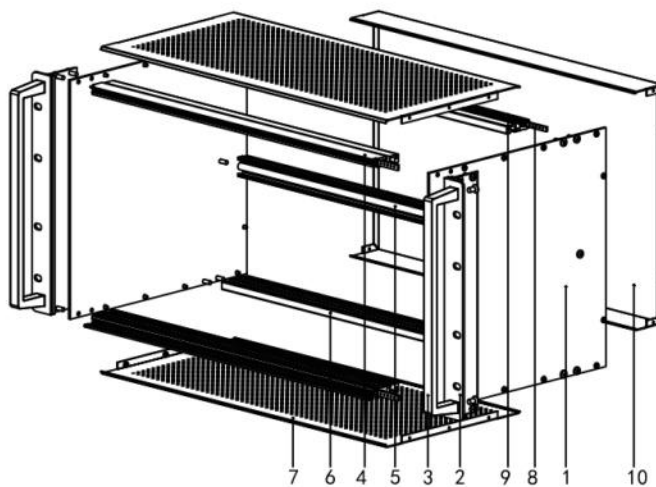
Order no. and page table

EG PRO Rugged Series Subracks



6U

- Subrack Shielding case (CompactPCI) • Heavy beam, Provide better load-bearing performance
- Suitable for CompactPCI and VME64x insertion and extractor handles
- Rear horizontal rail for backplane mounting with insulation strip; For applications that install backplanes or connectors, Horizontal rails, rear, for connector mounting (IEC 60603-2 / DIN 41612)
- Typical shielding 40dB at 1 GHz, 30 dB at 2GHz (as to VG 95373 ,part15), on condition that the front is sealed with shielded front panels
- For real I/O application



Delivery Comprises(kit)

Item	Name	Qty	Model
1	Side panel	2	/
2	Front bracket	2	/
3	Handle	2	Choice
4	Front rails	2	/
5	Middle rails	1	/
6	Rear rails	2	/
7	Cover plate	2	/

Item	Name	Qty	Model
8	Threaded insert	6	/
9	Insulation strip	16	/
10	Bent back panel	1	/
11	EMC gasket (Front rails)	4	Choice
12	EMC gasket (Front bracket)	3	Choice

Order information

Height	Width	Depth	Model	Material No
6U	42TE	245	Perforated	2642-24514
6U	42TE	245	Without holes	2642-24504
6U	42TE	285	Perforated	2642-28514
6U	42TE	285	Without holes	2642-28504
6U	42TE	345	Perforated	2642-34514
6U	42TE	345	Without holes	2642-34504
6U	63TE	245	Perforated	2663-24514
6U	63TE	245	Without holes	2663-24504
6U	63TE	285	Perforated	2663-28514
6U	63TE	285	Without holes	2663-28504
6U	63TE	345	Perforated	2663-34514
6U	63TE	345	Without holes	2663-34504
6U	84TE	245	Perforated	2684-24514
6U	84TE	245	Without holes	2684-24504
6U	84TE	285	Perforated	2684-28514
6U	84TE	285	Without holes	2684-28504
6U	84TE	345	Perforated	2684-34514
6U	84TE	345	Without holes	2684-34504

EK&EG Series Subracks Front horizontal Rail



Front horizontal Rail

Order information



Heavy Type-EG Short Lip

Used for mounting PCB guide rail and fixing panel, suitable for EG seeding box (reinforced structure)



EG-Long Lip

For CompactPCL , VME64× systems



Light Type-EK Short Lip

Used for mounting PCB guide rail and fixing panel, suitable for EK box (economical structure)



EK-Long Lip

For CompactPCL , VME64× systems

Model	Order no	Order no	Order no	Order no
42TE	0100003	0140010	0110003	0140003
63TE	0100005	0140012	0110005	0140005
84TE	0100006	0140013	0110006	0140006
104TE	0100007	0140014	0110007	0140007

Cross Rails setting screw M4×12 1004057

EKA&EG PRO Series Subracks
 EK+EG+ PRO Series Subracks
 BEK&BEG PRO Series Subracks
 Handle specification and accessories
 Guide rail specification and accessories
 19" CUR Series Subracks
 SNCF Series Subracks
 Shielded plug-in units Series Subracks
 VERO Series Subracks
 Protective Series Subracks
 CASE Series Subracks
 Type A Series Subracks
 Integrated side panel series subracks
 IN-S Series Subracks
 Subracks Accessories
 Panel component
 Order no. and page Table

Rear horizontal Rail

Order information



Heavy Type-EG
Use for install backplane



Heavy Type-EG-II
Use for install backplane



Light Type-EK
Use for install backplane



Light Type-EK-II
Use for install backplane

Model	Order no	Order no	Order no	Order no
42TE	0100010	0100023	0110010	0110043
63TE	0100012	0100026	0110012	0110045
84TE	0100013	0100015	0110013	0110022
104TE	0100014	0100016	0110014	0110044



Light Type EK with Z-rail
Use for install backplane

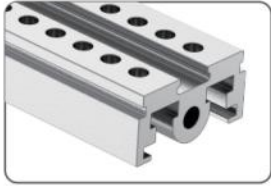
Model	Order no
42TE	0120010
63TE	0120012
84TE	0120013
104TE	0120014

EK&EG Series Subracks Middle rails



Middle Rail

Order information



Light Type-EK Middle Rail

For indirect mounting of backplanes via insulating strip, order insulating strip separately



Light Type-EK transfer Middle Rail

Use for install backplane, Use cooperatively middle rail



Light Type EK-Z Middle Rail

Use for install backplane

Model	Order no	Order no	Order no
42TE	0150042	0150010	0120017
63TE	0150063	0150012	0120019
84TE	0150084	0150013	0120020
104TE	0150104	0150014	0120021

EM&EG PRO Series Subracks
EK&EG+ PRO Series Subracks
BEK&BEG PRO Series Subracks
Handle specification and accessories
Guide rail specification and accessories
19" CUR Series Subracks
SNCF Series Subracks
Shielded plug-in units Series Subracks
VERO Series Subracks
Protective Series Subracks
CASE Series Subracks
Type A Series Subracks
Integrated side panel series subracks
IN-S Series Subracks
Subracks Accessories
Panel component
Order no. and page Table

EK&EG Series Subracks Bracket



Bracket

Order information



Front bracket-EG



Rear bracket-EG



Front bracket-EK



Rear bracket-EK

Model	Order no	Order no	Order no	Order no
3U	0200001	0200004	0210001	0210004
4U	0200002	0200005	0210002	0210005
6U	0200003	0200006	0210003	0210006



Standards/certifications

Inner and outer dimensions meet: IEC 60297-3-101, IEC 60297-3-102, IEC 60297-3-103, IEEE 1101.1 and IEEE 1101.10/11

Type of protection IP20 in accordance with IEC 60529

EMC testing to IEC 61587-3

Shock and vibration test reports: German "Bahn" standards BN 411002, BN 411003; NF F 60002, NF F 67012

IEC 61587-2, EN 50155, part 12.2.11

Customized service

Customize the side panel of the Subracks

Panel and panel opening, screen printing

EK+&EG+ PRO Series Subracks introduction

EK+&EG+ PRO series Subracks is a series of Subracks products developed by **RDEKONO** for the application of the 19" standard Subracks. After years of practical application shows that the EK+&EG+ PRO series Subracks has stable performance, solid structure and meets all the requirements of the 19" standard size and application. At the same time, the EK+&EG+ PRO series Subracks has the characteristics of high cost performance, rich components, flexible configuration and so on, which can meet the use requirements to the greatest extent

EK+&EG+ PRO Series Subracks introduction

EK+&EG+ PRO series Subracks is widely used in all kinds of standard electronic equipment and user-defined electronic systems, can be used to build CompactPCI, VME, VME64, PXI and other systems, can also be used as a general electronic plug-in box

RDEKONO PRO 3/6U Subrack(Railway Applications)

- Unshielded and shielded versions NFF61005/60002
- Unshielded and shielded versions EN50155 subrack
- Shielded versions for CompactPCI applications



19 "Subrack Subracks

- Shock and vibration resistant to IEC 61587-2, EN 50155, NFF 67012/NF F 60002, German railway standards BN 411002/411003
- IEC 60297-3-101, IEC 60297-3-102, IEC 60297-3-103, IEEE 1101.1 and IEEE 1101.10/11 compatible
- Designed for extractor handles to IEEE 1101.10/11 and IEC 60297-3-103 for CompactPCI and VME 64x application
- EMC shielding easily retrofittable if needed

RDEKON PRO 3/6U Subrack(Kits)

- Unshielded and shielded versions
- Shielded versions for CompactPCI applications

EK&EG PRO Series Subracks Features

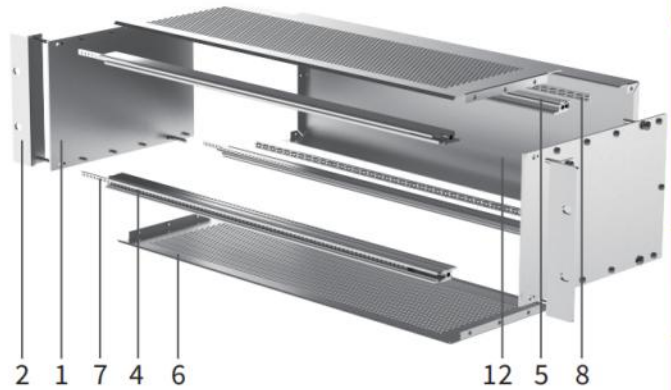
- **RDEKON** 19" Subrack subrack, manufactured by advanced technology
- EK+&EG+ PRO series products meet the 19" standard, easy to assemble (Refer to the company's 19" standard summary manual for details). Fully reflected the standardization, module The characteristics and advantages of chemical and serialization
- All series of products adopt universal standard parts combination, reflecting a high degree of flexibility, customers can according to the specific needs of the general standard parts or customized product vibration, impact test standards: according to IEC61587-1, NE50155, BN411002, NF F67012, NF F67002 test
- Complies with IEEE 1101.1 standard
- Can be used to build CompactPCI.VME, VME64 system platform
- The Subracks have good electromagnetic shielding performance

EK+ PRO Economy Series Subracks



3U/4U

- Subrack Shielding case (CompactPCI) • Light beam, Can better reduce the weight, bearing performance unchanged
- Suitable for CompactPCI and VME64x insertion and extractor handles
- Rear horizontal rail for backplane mounting with insulation strip; For applications that install backplanes or connectors, Horizontal rails, rear, for connector mounting (IEC 60603-2 / DIN 41612)
- Typical shielding 40dB at 1 GHz, 30 dB at 2GHz (as to VG 95373 ,part15), on condition that the front is sealed with shielded front panels
- For real I/O application



Delivery Comprises(kit)

Item	Name	Qty	Model
1	Side panel	2	/
2	Front bracket	2	/
3	Handle	2	choice
4	Front rails	2	/
5	Rear rails	2	/
6	Cover plate	2	/

Item	Name	Qty	Model
7	Threaded insert	4	/
8	Insulation strip	8	/
9	EMC gasket (Front rails)	2	Choice
10	EMC gasket (Front bracket)	3	Choice
11	Bent back panel	1	/

Order information

Height	Width	Depth	Model	Order no
3U	42TE	245	Perforated	3342-2451
3U	42TE	245	Without holes	3342-2450
3U	42TE	285	Perforated	3342-2851
3U	42TE	285	Without holes	3342-2850
3U	42TE	345	Perforated	3342-3451
3U	42TE	345	Without holes	3342-3450
3U	63TE	245	Perforated	3363-2451
3U	63TE	245	Without holes	3363-2450
3U	63TE	285	Perforated	3363-2851
3U	63TE	285	Without holes	3363-2850
3U	63TE	345	Perforated	3363-3451
3U	63TE	345	Without holes	3363-3450
3U	84TE	245	Perforated	3384-2451
3U	84TE	245	Without holes	3384-2450
3U	84TE	285	Perforated	3384-2851
3U	84TE	285	Without holes	3384-2850
3U	84TE	345	Perforated	3384-3451
3U	84TE	345	Without holes	3384-3450

Height	Width	Depth	Model	Material No
4U	42TE	245	Perforated	3442-2451
4U	42TE	245	Without holes	3442-2450
4U	42TE	285	Perforated	3442-2851
4U	42TE	285	Without holes	3442-2850
4U	42TE	345	Perforated	3442-3451
4U	42TE	345	Without holes	3442-3450
4U	63TE	245	Perforated	3463-2451
4U	63TE	245	Without holes	3463-2450
4U	63TE	285	Perforated	3463-2851
4U	63TE	285	Without holes	3463-2850
4U	63TE	345	Perforated	3463-3451
4U	63TE	345	Without holes	3463-3450
4U	84TE	245	Perforated	3484-2451
4U	84TE	245	Without holes	3484-2450
4U	84TE	285	Perforated	3484-2851
4U	84TE	285	Without holes	3484-2850
4U	84TE	345	Perforated	3484-3451
4U	84TE	345	Without holes	3484-3450

EK&EG PRO Series Subracks
 EK+EG+ PRO Series Subracks
 BEK&BEG PRO Series Subracks
 Handle specification and accessories
 Guide rail specification and accessories
 19" CUR Series Subracks
 SNCF Series Subracks
 Shielded plug-in units Series Subracks
 VERO Series Subracks
 Protective Series Subracks
 CASE Series Subracks
 Type A Series Subracks
 Integrated side panels series subracks
 IN-S Series Subracks
 Subracks Accessories
 Panel component
 Order no. and page Table

EK+ PRO Economy Series Subracks

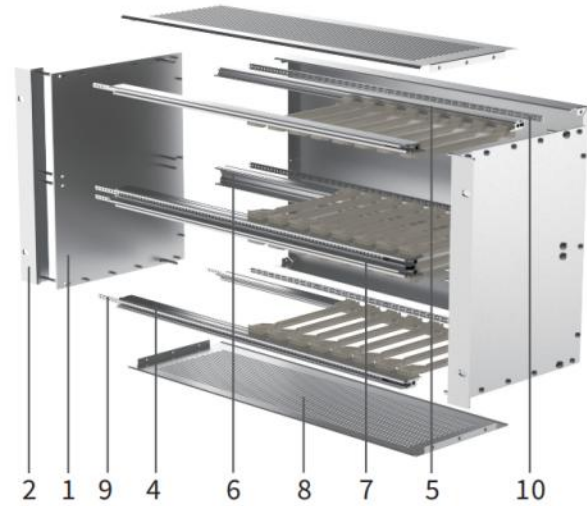


6U

- Subrack Shielding case (CompactPCI) • Light beam, Can better reduce the weight, bearing performance unchanged
- Suitable for CompactPCI and VME64x insertion and extractor handles
- Rear horizontal rail for backplane mounting with insulation strip; For applications that install backplanes or connectors, Horizontal rails, rear, for connector mounting (IEC 60603-2 / DIN 41612)
- Typical shielding 40dB at 1 GHz, 30 dB at 2GHz (as to VG 95373 ,part15), on condition that the front is sealed with shielded front panels
- For real I/O application

Delivery Comprises(kit)

Item	Name	Qty	Model
1	Side panel	2	/
2	Front bracket	2	/
3	Handle	2	Choice
4	Front rails	2	/
5	Rear rails	2	/
6	Rear Light Type Rail	1	/
7	Long Lip	1	/



Item	Name	Qty	Model
8	Cover plate	2	/
9	Threaded insert	6	/
10	Insulation strip	16	/
11	EMC gasket (Front rails)	2	Choice
12	EMC gasket (Front bracket)	1	Choice

Order information

Height	Width	Depth	Model	Material No
6U	42TE	245	Perforated	3642-2451
6U	42TE	245	Without holes	3642-2450
6U	42TE	285	Perforated	3642-2851
6U	42TE	285	Without holes	3642-2850
6U	42TE	345	Perforated	3642-3451
6U	42TE	345	Without holes	3642-3450
6U	63TE	245	Perforated	3663-2451
6U	63TE	245	Without holes	3663-2450
6U	63TE	285	Perforated	3663-2851
6U	63TE	285	Without holes	3663-2850
6U	63TE	345	Perforated	3663-3451
6U	63TE	345	Without holes	3663-3450
6U	84TE	245	Perforated	3684-2451
6U	84TE	245	Without holes	3684-2450
6U	84TE	285	Perforated	3684-2851
6U	84TE	285	Without holes	3684-2850
6U	84TE	345	Perforated	3684-3451
6U	84TE	345	Without holes	3684-3450

EG+ PRO Rugged Series Subracks

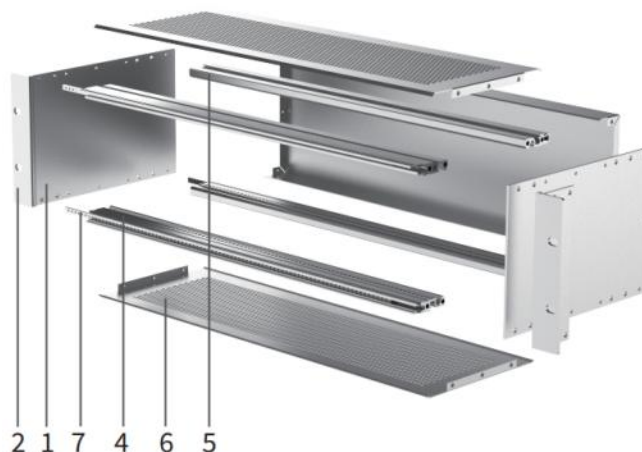


3U/4U

- Subrack Shielding case (CompactPCI) • Heavy beam, Provide better load-bearing performance
- Suitable for CompactPCI and VME64x insertion and extractor handles
- Rear horizontal rail for backplane mounting with insulation strip; For applications that install backplanes or connectors, Horizontal rails, rear, for connector mounting (IEC 60603-2 / DIN 41612)
- Typical shielding 40dB at 1 GHz, 30 dB at 2GHz (as to VG 95373 ,part15), on condition that the front is sealed with shielded front panels
- For real I/O application

Delivery Comprises(kit)

Item	Name	Qty	Model
1	Side panel	2	/
2	Front bracket	2	/
3	Handle	2	Choice
4	Front rails	2	/
5	Rear rails	2	/



Item	Name	Qty	Model
6	Cover plate	2	/
7	Threaded insert	4	/
8	Insulation strip	8	/
9	EMC gasket (Front rails)	2	Choice
10	EMC gasket (Front bracket)	1	Choice

Order information

Height	Width	Depth	Model	Order no
3U	42TE	245	Perforated	4342-2451
3U	42TE	245	Without holes	4342-2450
3U	42TE	285	Perforated	4342-2851
3U	42TE	285	Without holes	4342-2850
3U	42TE	345	Perforated	4342-3451
3U	42TE	345	Without holes	4342-3450
3U	63TE	245	Perforated	4363-2451
3U	63TE	245	Without holes	4363-2450
3U	63TE	285	Perforated	4363-2851
3U	63TE	285	Without holes	4363-2850
3U	63TE	345	Perforated	4363-3451
3U	63TE	345	Without holes	4363-3450
3U	84TE	245	Perforated	4384-2451
3U	84TE	245	Without holes	4384-2450
3U	84TE	285	Perforated	4384-2851
3U	84TE	285	Without holes	4384-2850
3U	84TE	345	Perforated	4384-3451
3U	84TE	345	Without holes	4384-3450

Height	Width	Depth	Model	Material No
4U	42TE	245	Perforated	4442-2451
4U	42TE	245	Without holes	4442-2450
4U	42TE	285	Perforated	4442-2851
4U	42TE	285	Without holes	4442-2850
4U	42TE	345	Perforated	4442-3451
4U	42TE	345	Without holes	4442-3450
4U	63TE	245	Perforated	4463-2451
4U	63TE	245	Without holes	4463-2450
4U	63TE	285	Perforated	4463-2851
4U	63TE	285	Without holes	4463-2850
4U	63TE	345	Perforated	4463-3451
4U	63TE	345	Without holes	4463-3450
4U	84TE	245	Perforated	4484-2451
4U	84TE	245	Without holes	4484-2450
4U	84TE	285	Perforated	4484-2851
4U	84TE	285	Without holes	4484-2850
4U	84TE	345	Perforated	4484-3451
4U	84TE	345	Without holes	4484-3450

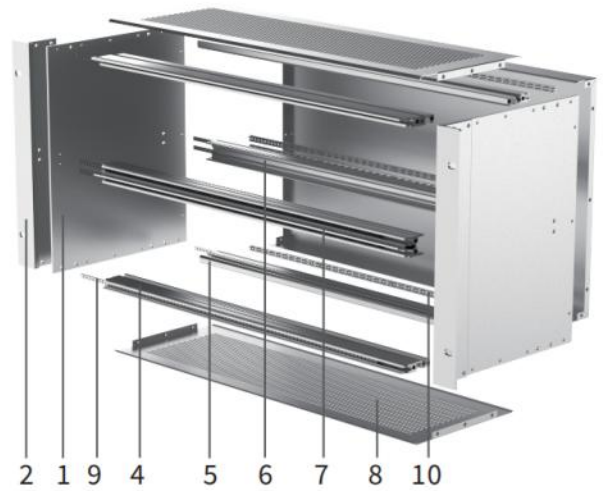
EK&EG PRO Series Subracks
 EK+EG+ PRO Series Subracks
 BEK&BEG PRO Series Subracks
 Handle specification and accessories
 Guide rail specification and accessories
 19"CUR Series Subracks
 SNCF Series Subracks
 Shielded plug-in units Series Subracks
 VERO Series Subracks
 Protective Series Subracks
 CASE Series Subracks
 Type A Series Subracks
 Integrated side panels series subracks
 IN-S Series Subracks
 Subracks Accessories
 Panel component
 Order no. and page Table

EG+ PRO Rugged Series Subracks



6U

- Subrack Shielding case (CompactPCI) • Heavy beam, Provide better load-bearing performance
- Suitable for CompactPCI and VME64x insertion and extractor handles
- Rear horizontal rail for backplane mounting with insulation strip; For applications that install backplanes or connectors, Horizontal rails, rear, for connector mounting (IEC 60603-2 / DIN 41612)
- Typical shielding 40dB at 1 GHz, 30 dB at 2GHz (as to VG 95373 ,part15), on condition that the front is sealed with shielded front panels
- For real I/O application



Delivery Comprises(kit)

Item	Name	Qty	Model
1	Side panel	2	/
2	Front bracket	2	/
3	Handle	2	Choice
4	Front rails	2	/
5	Rear rails	2	/
6	Rear Light Type Rail	1	/

Item	Name	Qty	Model
7	Long Lip	1	/
8	Cover plate	2	/
9	Threaded insert	8	/
10	Insulation strip	16	/
11	EMC gasket (Front rails)	2	Choice
12	EMC gasket (Front bracket)	1	Choice

Order information

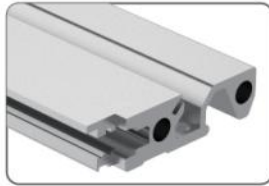
Height	Width	Depth	Model	Material No
6U	42TE	245	Perforated	4642-2451
6U	42TE	245	Without holes	4642-2450
6U	42TE	285	Perforated	4642-2851
6U	42TE	285	Without holes	4642-2850
6U	42TE	345	Perforated	4642-3451
6U	42TE	345	Without holes	4642-3450
6U	63TE	245	Perforated	4663-2451
6U	63TE	245	Without holes	4663-2450
6U	63TE	285	Perforated	4663-2851
6U	63TE	285	Without holes	4663-2850
6U	63TE	345	Perforated	4663-3451
6U	63TE	345	Without holes	4663-3450
6U	84TE	245	Perforated	4684-2451
6U	84TE	245	Without holes	4684-2450
6U	84TE	285	Perforated	4684-2851
6U	84TE	285	Without holes	4684-2850
6U	84TE	345	Perforated	4684-3451
6U	84TE	345	Without holes	4684-3450

EK+&EG+ PRO Series Subracks Front horizontal Rail



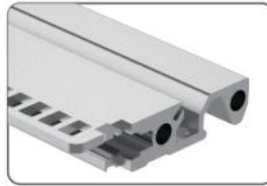
Front horizontal Rail

Order information



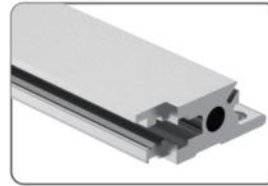
Heavy Type-EG+ Short Lip

Used for mounting PCB guide rail and fixing panel



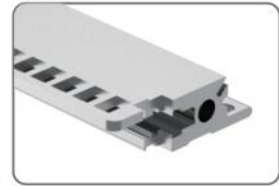
EG+ Heavy Type Long Lip

Use in conjunction with Handle



Light Type EK+ Short Lip

Used for mounting PCB guide rail and fixing panel, suitable for EK box (economical structure)



Long Lip EK+

Use in conjunction with Handle

Model	Order no	Order no	Order no	Order no
42TE	0100017	0140016	0110031	0140019
63TE	0100024	0140025	0110046	0140026
84TE	0100018	0140017	0110032	0140020
104TE	0100019	0140018	0110033	0140021

Cross Rails setting screw M4×12 1004057



Front Light Type Rail EK+

Used for mounting PCB guide rail and fixing panel



Long Lip EK+

Used for mounting PCB guide rail and fixing panel, Use in conjunction with Handle



EK+front light with J-shaped groove

Used for mounting PCB guide rail and fixing panel, Use in conjunction with Handle

Model	Order no	Order no	Order no
42TE	0110034	0140022	0110056
63TE	0110047	0140027	0110057
84TE	0110035	0140023	0110058
104TE	0110036	0140024	0110059



J-shaped groove type EK+composite front beam

Used for mounting PCB guide rail and fixing panel, Use in conjunction with Handle



EG+front light with J-shaped groove

Used for mounting PCB guide rail and fixing panel, Use in conjunction with Handle

Model	Order no	Order no
42TE	0110060	0110034
63TE	0110061	0110035
84TE	0110062	0110036
104TE	0110063	0110037

EK&EG PRO Series Subracks
 EK+EG+ PRO Series Subracks
 BEK&BEG PRO Series Subracks
 Handle specification and accessories
 Guide rail specification and accessories
 19" CUR Series Subracks
 SNCF Series Subracks
 Shielded plug-in units Series Subracks
 VERO Series Subracks
 Protective Series Subracks
 CASE Series Subracks
 Type A Series Subracks
 Integrated side panels series subracks
 IN-S Series Subracks
 Subracks Accessories
 Panel component
 Order no. and page table

EK+&EG+ PRO Series Subracks

Rear horizontal Rail



Rear horizontal Rail

Order information



Heavy Type EG+

Use for install backplane



Rear Light Type Rail EK+

Use for install backplane



LigeType-T EK+

Use for install backplane



LigeType EK+

Use for install backplane

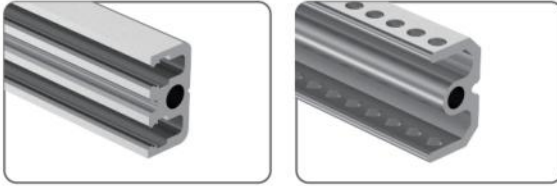
Model	Order no	Order no	Order no	Order no
42TE	0100020	0110028	0110037	0110040
63TE	0100025	0110050	0110049	0110048
84TE	0100021	0110029	0110038	0110041
104TE	0100022	0110030	0110039	0110042

EK+&EG+ PRO Series Subracks Middle rails



Middle Rail

Order information



Light Type-EK+ Middle Rail

For indirect mounting of backplanes via insulating strip, order insulating strip separately

Light Type-EK+ transfer Middle Rail

Installing a midplane, Use cooperatively middle rail

Model	Order no	Order no
42TE	0150019	0150022
63TE	0150025	0150026
84TE	0150020	0150023
104TE	0150021	0150024

- EK&EG PRO Series Subracks
- EK+&EG+ PRO Series Subracks
- BEM&BEG PRO Series Subracks
- Handle specification and accessories
- Guide rail specification and accessories
- 19" CUR Series Subracks
- SNCF Series Subracks
- Shielded plug-in units Series Subracks
- VERO Series Subracks
- Protective Series Subracks
- CASE Series Subracks
- Type A Series Subracks
- Integrated side panel series subracks
- IN-S Series Subracks
- Subracks Accessories
- Panel component
- Order no. and page Table

EK+&EG+ PRO Series Subracks Bracket



Bracket

Order information



Front bracket-EG+



Rear bracket-EG+



Front bracket-EK+



Rear bracketEK+

Model	Order no	Order no	Order no	Order no
3U	0200008	0200011	0210008	0210011
4U	0200009	0200012	0210009	0210012
6U	0200010	0200013	0210010	0210013



Standards/certifications

Inner and outer dimensions meet: IEC 60297-3-101, IEC 60297-3-102, IEC 60297-3-103, IEEE 1101.1 and IEEE 1101.10/11

Type of protection IP20 in accordance with IEC 60529

EMC testing to IEC 61587-3

Shock and vibration test reports: German "Bahn" standards BN 411002, BN 411003; NF F 60002, NF F 67012

IEC 61587-2, EN 50155, part 12.2.11

Customized service

Customize the side panel of the Subracks

Panel and panel opening, screen printing

BEK&BEG PRO Series Subracks introduction

BEK&BEG PRO series Subracks is a series of Subracks products developed by **RDEKONO** for the application of the 19" standard Subracks. After years of practical application shows that the BEK&BEG PRO series Subracks has stable performance, solid structure and meets all the requirements of the 19" standard size and application. At the same time, the BEK&BEG PRO series Subracks has the characteristics of high cost performance, rich components, flexible configuration and so on, which can meet the use requirements to the greatest extent

BEK&BEG PRO Series Subracks introduction

BEK&BEG PRO series Subracks is widely used in all kinds of standard electronic equipment and user-defined electronic systems, can be used to build CompactPCI, VME, VME64, PXI and other systems, can also be used as a general electronic plug-in box

RDEKONO PRO 3/6U Subrack(Railway Applications)

- Unshielded and shielded versions NFF61005/60002
- Unshielded and shielded versions EN50155 subrack
- Shielded versions for CompactPCI applications



19 "Subrack Subracks

- Shock and vibration resistant to IEC 61587-2, EN 50155, NFF 67012/NF F 60002, German railway standards BN 411002/411003
- IEC 60297-3-101, IEC 60297-3-102, IEC 60297-3-103, IEEE 1101.1 and IEEE 1101.10/11 compatible
- Designed for extractor handles to IEEE 1101.10/11 and IEC 60297-3-103 for CompactPCI and VME 64x application
- EMC shielding easily retrofittable if needed

RDEKON PRO 3/6U Subrack(Kits)

- Unshielded and shielded versions
- Shielded versions for CompactPCI applications

BEK&BEG PRO Series Subracks Features

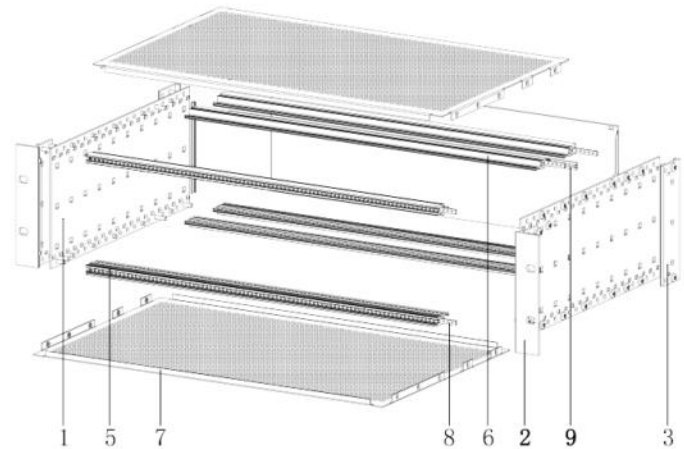
- **RDEKON** 19" Subrack subrack, manufactured by advanced technology
- BEK&BEG PRO series products meet the 19" standard, easy to assemble (Refer to the company's 19" standard summary manual for details). Fully reflected the standardization, module The characteristics and advantages of chemical and serialization.
- All series of products adopt universal standard parts combination, reflecting a high degree of flexibility, customers can according to the specific needs of the general standard parts or customized product vibration, impact test standards: according to IEC61587-1, NE50155, BN411002, NF F67012, NF F67002 test
- Complies with IEEE 1101.1 standard
- Can be used to build CompactPCI.VME, VME64 system platform
- The Subracks have good electromagnetic shielding performance

BEK PRO Economy Series Subracks



3U/4U

- Subrack Shielding case (CompactPCI) • Light beam, Can better reduce the weight, bearing performance unchanged
- Suitable for CompactPCI and VME64x insertion and extractor handles
- Rear horizontal rail for backplane mounting with insulation strip; For applications that install backplanes or connectors, Horizontal rails, rear, for connector mounting (IEC 60603-2 / DIN 41612)
- Typical shielding 40dB at 1 GHz, 30 dB at 2GHz (as to VG 95373 ,part15), on condition that the front is sealed with shielded front panels
- For real I/O application



Delivery Comprises (kit)

Item	Name	Qty	Model
1	Side panel	2	/
2	Front bracket	2	/
3	Rear bracket	2	/
4	Handle	2	Choice
5	Front rails	4	/
6	Rear rails	2	/
7	Cover plate	2	/

Item	Name	Qty	Model
8	Threaded insert	6	/
9	Insulation strip	2	/
10	Perforated strip	2	/
11	EMC gasket (Front rails)	4	Choice
12	EMC gasket (Front bracket)	3	Choice
13	EMC gasket (Cover plate)	4	Choice
14	Screw installation package	1	/

Order information

Height	Width	Depth	Model	Order no
3U	42TE	235	Perforated	5342-2351
3U	42TE	235	Without holes	5342-2350
3U	42TE	295	Perforated	5342-2951
3U	42TE	295	Without holes	5342-2950
3U	42TE	355	Perforated	5342-3551
3U	42TE	355	Without holes	5342-3550
3U	63TE	235	Perforated	5363-2351
3U	63TE	235	Without holes	5363-2350
3U	63TE	295	Perforated	5363-2951
3U	63TE	295	Without holes	5363-2950
3U	63TE	355	Perforated	5363-3551
3U	63TE	355	Without holes	5363-3550
3U	84TE	235	Perforated	5384-2351
3U	84TE	235	Without holes	5384-2350
3U	84TE	295	Perforated	5384-2951
3U	84TE	295	Without holes	5384-2950
3U	84TE	355	Perforated	5384-3551
3U	84TE	355	Without holes	5384-3550

Height	Width	Depth	Model	Material No
4U	42TE	235	Perforated	5442-2351
4U	42TE	235	Without holes	5442-2350
4U	42TE	295	Perforated	5442-2951
4U	42TE	295	Without holes	5442-2950
4U	42TE	355	Perforated	5442-3551
4U	42TE	355	Without holes	5442-3550
4U	63TE	235	Perforated	5463-2351
4U	63TE	235	Without holes	5463-2350
4U	63TE	295	Perforated	5463-2951
4U	63TE	295	Without holes	5463-2950
4U	63TE	355	Perforated	5463-3551
4U	63TE	355	Without holes	5463-3550
4U	84TE	235	Perforated	5484-2351
4U	84TE	235	Without holes	5484-2350
4U	84TE	295	Perforated	5484-2951
4U	84TE	295	Without holes	5484-2950
4U	84TE	355	Perforated	5484-3551
4U	84TE	355	Without holes	5484-3550

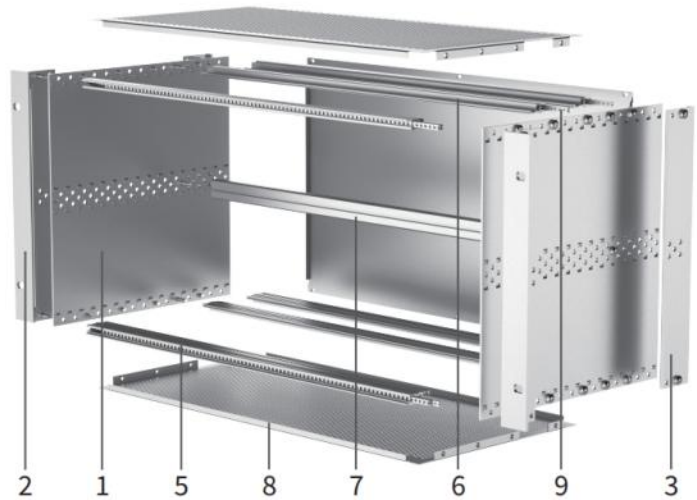
EK&EG PRO Series Subracks
 EK&EG+ PRO Series Subracks
 BEK&BEG PRO Series Subracks
 Handle specification and accessories
 Guide rail specification and accessories
 19" CR Series Subracks
 SNCF Series Subracks
 Shielded plug-in units Series Subracks
 VERO Series Subracks
 Protective Series Subracks
 CASE Series Subracks
 Type A Series Subracks
 Integrated side panel series subracks
 IN-S Series Subracks
 Subracks Accessories
 Panel component
 Order no. and page Table

BEK PRO Economy Series Subracks



6U

- Subrack Shielding case (CompactPCI) • Light beam, Can better reduce the weight, bearing performance unchanged
- Suitable for CompactPCI and VME64x insertion and extractor handles
- Rear horizontal rail for backplane mounting with insulation strip; For applications that install backplanes or connectors, Horizontal rails, rear, for connector mounting (IEC 60603-2 / DIN 41612)
- Typical shielding 40dB at 1 GHz, 30 dB at 2GHz (as to VG 95373 ,part15), on condition that the front is sealed with shielded front panels
- For real I/O application



Delivery Comprises(kit)

Item	Name	Qty	Model
1	Side panel	2	/
2	Front bracket	2	/
3	Rear bracket	2	/
4	Handle	2	Choice
5	Front rails	4	/
6	Rear rails	2	/
7	Middle rails	1	/
8	Cover plate	2	/

Item	Name	Qty	Model
9	Threaded insert	8	/
10	Perforated strip	4	/
11	Insulation strip	4	/
12	EMC gasket (Front rails)	4	Choice
13	EMC gasket (Front bracket)	3	Choice
14	EMC gasket (Cover plate)	4	Choice
15	Screw installation package	1	/

Order information

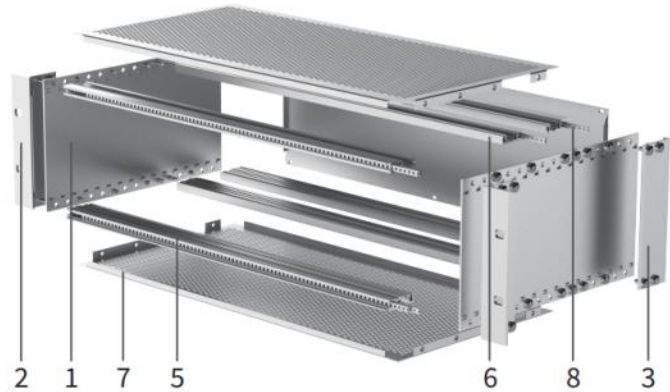
Height	Width	Depth	Model	Material No
6U	42TE	235	Perforated	5642-2351
6U	42TE	235	Without holes	5642-2350
6U	42TE	295	Perforated	5642-2951
6U	42TE	295	Without holes	5642-2950
6U	42TE	355	Perforated	5642-3551
6U	42TE	355	Without holes	5642-3550
6U	63TE	235	Perforated	5663-2351
6U	63TE	235	Without holes	5663-2350
6U	63TE	295	Perforated	5663-2951
6U	63TE	295	Without holes	5663-2950
6U	63TE	355	Perforated	5663-3551
6U	63TE	355	Without holes	5663-3550
6U	84TE	235	Perforated	5684-2351
6U	84TE	235	Without holes	5684-2350
6U	84TE	295	Perforated	5684-2951
6U	84TE	295	Without holes	5684-2950
6U	84TE	355	Perforated	5684-3551
6U	84TE	355	Without holes	5684-3550

BEG PRO Rugged Series Subracks



3U/4U

- Subrack Shielding case (CompactPCI) • Heavy beam, Provide better load-bearing performance
- Suitable for CompactPCI and VME64x insertion and extractor handles
- Rear horizontal rail for backplane mounting with insulation strip; For applications that install backplanes or connectors, Horizontal rails, rear, for connector mounting (IEC 60603-2 / DIN 41612)
- Typical shielding 40dB at 1 GHz, 30 dB at 2GHz (as to VG 95373 ,part15), on condition that the front is sealed with shielded front panels
- For real I/O application



Delivery Comprises(kit)

Item	Name	Qty	Model
1	Side panel	2	/
2	Front bracket	2	/
3	Rear bracket	2	/
4	Handle	2	Choice
5	Front rails	4	/
6	Rear rails	2	/
7	Cover plate	2	/

Item	Name	Qty	Model
8	Threaded insert	6	/
9	Perforated strip	2	/
10	Insulation strip	2	/
11	EMC gasket (Front rails)	4	Choice
12	EMC gasket (Front bracket)	3	Choice
13	EMC gasket (Cover plate)	4	Choice
14	Screw installation package	1	/

Order information

Height	Width	Depth	Model	Order no
3U	42TE	235	Perforated	6342-2351
3U	42TE	235	Without holes	6342-2350
3U	42TE	295	Perforated	6342-2951
3U	42TE	295	Without holes	6342-2950
3U	42TE	355	Perforated	6342-3551
3U	42TE	355	Without holes	6342-3550
3U	63TE	235	Perforated	6363-2351
3U	63TE	235	Without holes	6363-2350
3U	63TE	295	Perforated	6363-2951
3U	63TE	295	Without holes	6363-2950
3U	63TE	355	Perforated	6363-3551
3U	63TE	355	Without holes	6363-3550
3U	84TE	235	Perforated	6384-2351
3U	84TE	235	Without holes	6384-2350
3U	84TE	295	Perforated	6384-2951
3U	84TE	295	Without holes	6384-2950
3U	84TE	355	Perforated	6384-3551
3U	84TE	355	Without holes	6384-3550

Height	Width	Depth	Model	Order no
4U	42TE	235	Perforated	6442-2351
4U	42TE	235	Without holes	6442-2350
4U	42TE	295	Perforated	6442-2951
4U	42TE	295	Without holes	6442-2950
4U	42TE	355	Perforated	6442-3551
4U	42TE	355	Without holes	6442-3550
4U	63TE	235	Perforated	6463-2351
4U	63TE	235	Without holes	6463-2350
4U	63TE	295	Perforated	6463-2951
4U	63TE	295	Without holes	6463-2950
4U	63TE	355	Perforated	6463-3551
4U	63TE	355	Without holes	6463-3550
4U	84TE	235	Perforated	6484-2351
4U	84TE	235	Without holes	6484-2350
4U	84TE	295	Perforated	6484-2951
4U	84TE	295	Without holes	6484-2950
4U	84TE	355	Perforated	6484-3551
4U	84TE	355	Without holes	6484-3550

EK&EG PRO Series Subracks
 EK+EG+ PRO Series Subracks
 BEK&BEG PRO Series Subracks
 Handle specification and accessories
 Guide rail specification and accessories
 19"CUR Series Subracks
 SNCF Series Subracks
 Shielded plug-in units Series Subracks
 VERO Series Subracks
 Protective Series Subracks
 CASE Series Subracks
 Type A Series Subracks
 Integrated side panel series subracks
 IN-5 Series Subracks
 Subracks Accessories
 Panel component
 Order no. and page table

BEG PRO Rugged Series Subracks



6U

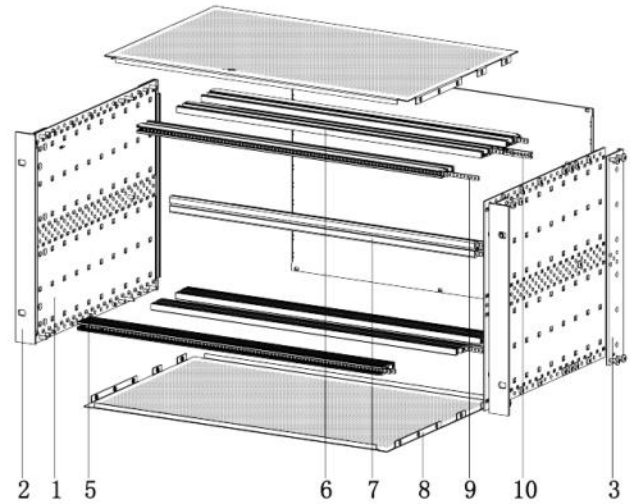
- Subrack Shielding case (CompactPCI) • Heavy beam, Provide better load-bearing performance
- Suitable for CompactPCI and VME64x insertion and extractor handles
- Rear horizontal rail for backplane mounting with insulation strip; For applications that install backplanes or connectors, Horizontal rails, rear, for connector mounting (IEC 60603-2 / DIN 41612)
- Typical shielding 40dB at 1 GHz, 30 dB at 2GHz (as to VG 95373 ,part15), on condition that the front is sealed with shielded front panels
- For real I/O application

Delivery Comprises(kit)

Item	Name	Qty	Model
1	Side panel	2	/
2	Front bracket	2	/
3	Rear bracket	2	/
4	Handle	2	Choice
5	Front rails	4	/
6	Rear rails	2	/
7	Middle rails	1	/
8	Cover plate	2	/

Order information

Height	Width	Depth	Model	Material No
6U	42TE	235	Perforated	6642-2351
6U	42TE	235	Without holes	6642-2350
6U	42TE	295	Perforated	6642-2951
6U	42TE	295	Without holes	6642-2950
6U	42TE	355	Perforated	6642-3551
6U	42TE	355	Without holes	6642-3550
6U	63TE	235	Perforated	6663-2351
6U	63TE	235	Without holes	6663-2350
6U	63TE	295	Perforated	6663-2951
6U	63TE	295	Without holes	6663-2950
6U	63TE	355	Perforated	6663-3551
6U	63TE	355	Without holes	6663-3550
6U	84TE	235	Perforated	6684-2351
6U	84TE	235	Without holes	6684-2350
6U	84TE	295	Perforated	6684-2951
6U	84TE	295	Without holes	6684-2950
6U	84TE	355	Perforated	6684-3551
6U	84TE	355	Without holes	6684-3550



Item	Name	Qty	Model
9	Threaded insert	8	/
10	Insulation strip	4	/
11	Perforated strip	4	/
12	EMC gasket (Front rails)	4	Choice
13	EMC gasket (Front bracket)	3	Choice
14	EMC gasket (Cover plate)	4	Choice
15	Screw installation package	1	/

BEK&BEG PRO Series Subracks Front horizontal Rail



Front horizontal Rail

Order information



Heavy Type-BEG Short Lip

Installing a midplane



Light Type-BEK Short Lip

Installing a midplane

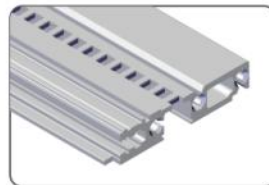


BEG-Long Lip

For plug-in units with IEEE handle
For CompactPCI, VME64x systems

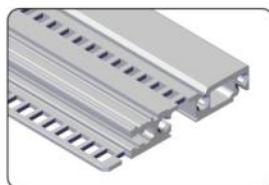
Model	Order no	Order no	Order no
42TE	009024201	009014203	009024203
63TE	009026301	009016303	009026304
84TE	009028401	009018401	009028403
104TE	0090210401	0090110401	0090210405

Cross Rails setting
screw M4 × 12 1004057



Rugged Short Lip

Installing a midplane



Rugged Long Lip

Installing a midplane



BEG-J Long Lip

Installing a midplane

Model	Order no	Order no	Order no
42TE	009034201	009034202	009024212
63TE	009036301	009036302	009026312
84TE	009038401	009038402	009028412
104TE	0090310401	0090310402	0090210412

EK&EG PRO Series Subracks
 EK+MEG+ PRO Series Subracks
 BEK&BEG PRO Series Subracks
 Handle specification and accessories
 Gold rail specification and accessories
 19" CUR Series Subracks
 SNCF Series Subracks
 Shielded plug-in units Series Subracks
 VERO Series Subracks
 Protective Series Subracks
 CASE Series Subracks
 Type A Series Subracks
 Integrated state panels series subracks
 IN-S Series Subracks
 Subracks Accessories
 Panel component
 Order no. and page Table

BEK&BEG PRO Series Subracks Rear horizontal Rail



Rear horizontal Rail

Order information



Heavy Type-BEG

For indirect mounting of backplanes via insulation strip, order insulation strip separately



Heavy Type-BEG-Z

For direct backplane assembly



LigheType-BEK

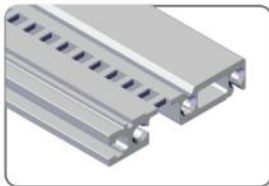
For indirect mounting of backplanes via insulation strip, order insulation strip separately



LigheType-BEK-Z

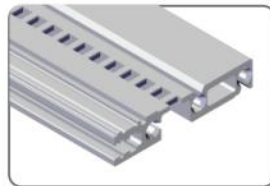
For direct backplane assembly

Model	Order no	Order no	Order no	Order no
42TE	009024204	009024202	009014202	009114202
63TE	009026302	009026303	009116301	009116302
84TE	009028402	009028404	009018402	009018403
104TE	0090210402	0090210403	0090110402	0090110403



Rugged Horizontal Rail

For indirect mounting of backplanes via insulation strip, order insulation strip separately



Rugged Horizontal Rail-Z

For direct backplane assembly



BEK With integral Z rail Rear rails

For direct mounting of connectors according to EN60603-2(DIN60297)



BEG With integral Z rail Rear rails

For direct mounting of connectors according to EN60603-2(DIN60297)

Model	Order no	Order no	Order no	Order no
42TE	009034203	009034204	009014205	009024205
63TE	009036303	009036304	009016304	009026305
84TE	009038403	009038404	009018404	009028405
104TE	0090310403	0090310404	0090110404	0090210404



BEG-II Horizontal Rail

For indirect mounting of backplanes via insulation strip, order insulation strip separately

Model	Order no
42TE	009024211
63TE	009026311
84TE	009028411
104TE	0090210411

BEK&BEG PRO Series Subracks Middle rails



Middle rails

Order information



Light Type BEK Middle Rail

For indirect mounting of backplanes via insulation strip, order insulation strip separately



Light Type BEK-Z Middle Rail

For direct backplane assembly



BEK With integral Z rail Middle rails

For direct mounting of connectors according to EN60603-2(DIN60297)

Model	Order no	Order no	Order no
42TE	009014208	009014207	009014209
63TE	009016308	009016307	009016309
84TE	009018408	009018407	009018405
104TE	0090110408	0090110407	0090110409

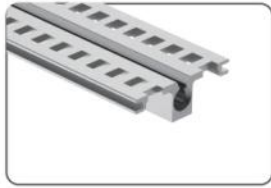
Order no. and page Table	Panel component	Subracks Accessories	IN-S Series Subracks	Integrated wire panels series subracks	Type A Series Subracks	CASE Series Subracks	Protective Series Subracks	VERO Series Subracks	Shielded plug-in units Series Subracks	SNCF Series Subracks	19" CUR Series Subracks	Guide rail specification and accessories	Handle specification and accessories	BEK&BEG PRO Series Subracks	EK&BEG+ PRO Series Subracks	EK&BEG PRO Series Subracks
--------------------------	-----------------	----------------------	----------------------	--	------------------------	----------------------	----------------------------	----------------------	--	----------------------	-------------------------	--	--------------------------------------	-----------------------------	-----------------------------	----------------------------

BEK&BEG PRO Series Subracks Front and Rear Rail



Front and Rear Rail

Order information



Front and Rear Rail

For CompactCPCI at rear/O-area
and 3,6U assembly

Model	Order no
42TE	009014206
63TE	009016306
84TE	009018406
104TE	0090110406

BEK&BEG PRO Series Subracks Side panel type F



Side panel type F

Order information

Height U	Depth mm	Side panel type F	19"bracket without handle holes	19"bracket with handle holes	19"bracket depth-adjustable	Wall-mounting bracket	Rear angle for stainless steel gasket	EMC stainless steel gasket
3	175	01131750						
3	235	01132350						
3	295	01132950	01131751	01131752	01131753	01131754	01131755	1008007
3	355	01133550						
3	415	01134150						
4	175	01141750						
4	235	01142350						
4	295	01142950	01141751	01141752	01141753	01141754	01141755	1008008
4	355	01143550						
4	415	01144150						
5	175	01151750						
5	235	01152350						
5	295	01152950	01151751	01151752	01151753	01151754	01151755	-
5	355	01153550						
5	415	01154150						
6	175	01161750						
6	235	01162350						
6	295	01162950	01161751	01161752	01161753	01161754	01161755	1008009
6	355	01163550						
6	415	01164150						
9	175	01191750						
9	235	01192350						
9	295	01192950	01191751	01191752	01191753	01191754	01191755	-
9	355	01193550						
9	415	01194150						
Screw, M4*14		1004229	1004229	1004229	1004229	-	1004229	-

Note :

- CompactPCI
- VME64x
- Grid holes of side panel 3 + 1 U
- Grid holes of side panel 1+3+1U

EKA&EG PRO Series Subracks
 EK+BEK+PRO Series Subracks
 BEK&BEG PRO Series Subracks
 Handle specification and accessories
 Guide-rail specification and accessories
 19" CUR Series Subracks
 SNCF Series Subracks
 Shielded plug-in units Series Subracks
 VERO Series Subracks
 Protective Series Subracks
 CASE Series Subracks
 Type A Series Subracks
 Integrated side panel series subracks
 IN-S Series Subracks
 Subracks Accessories
 Panel component
 Order no. and page Table

BEK&BEG PRO Series Subracks

Side panel type F



Side panel type F

Order information

Height U	Depth mm	Side panel type F						EMC textile gasket
			19"bracket without handle holes	19"bracket with handle holes	19"bracket depth-adjustable	Wall-mounting bracket	Rear angle for stainless steel gasket	
3	175	01131750						
3	235	01132350						
3	295	01132950	02131751	02131752	01131753	01131754	02131755	1008037
3	355	01133550						
3	415	01134150						
4	175	01141750						
4	235	01142350						
4	295	01142950	02141751	02141752	01141753	01141754	02141755	1008045
4	355	01143550						
4	415	01144150						
5	175	01151750						
5	235	01152350						
5	295	01152950	02151751	02151752	01151753	01151754	02151755	1008053
5	355	01153550						
5	415	01154150						
6	175	01161750						
6	235	01162350						
6	295	01162950	02161751	02161752	01161753	01161754	02161755	1008038
6	355	01163550						
6	415	01164150						
9	175	01191750						
9	235	01192350						
9	295	01192950	02191751	02191752	01191753	01191754	02191755	1008054
9	355	01193550						
9	415	01194150						
Screw, M4*14		1004229	1004229	1004229	1004229	-	1004229	-

Note :

- CompactPCI
- VME64x
- Grid holes of side panel 3 U+ 1 U
- Grid holes of side panel 1U+3U+1U

BEK&BEG PRO Series Subracks

Side panel type F&H



Side panel type F&H

Order information

Height U	Depth mm	Side panel type L	Front cover for type L
3	175	01231756	02231756
3	235	01232356	
3	295	01232956	
6	175	01261756	02261756
6	235	01262356	
6	295	01262956	
Screw, M4*14		1004229	-

Side panel type H

Order information

Height U	Depth mm	Type H without handle holes	Type H with handle holes	EMC stainless steel gasket	Height U	Depth mm	Type H without handle holes	Type H with handle holes	EMC textile gasket
3	175	01331757	01331758	1008007	3	175	02331757	02331758	1008037
3	235	01332357	01332358		3	235	02332357	02332358	
3	295	01332957	01332958		3	295	02332957	02332958	
3	355	01333557	01333558		3	355	02333557	02333558	
6	175	01361757	01361758	1008009	6	175	02361757	02361758	1008038
6	235	01362357	01362358		6	235	02362357	02362358	
6	295	01362957	01362958		6	295	02362957	02362958	
6	355	01363557	01363558		6	355	02363557	02363558	
Screw, M4*14		1004229	1004229	-	Screw, M4*14		1004229	1004229	-

Note :

- Beam fixing screws need to be ordered separately

Order no. and page Table	
Panel component	
Subracks Accessories	
IN-S Series Subracks	
Integrated side panel series subracks	
Type A Series Subracks	
CASE Series Subracks	
Protective Series Subracks	
VERO Series Subracks	
Shielded plug-in units Series Subracks	
SNCF Series Subracks	
19" CUR Series Subracks	
Guide rail specification and accessories	
Handle specification and accessories	
BEK&BEG PRO Series Subracks	
EK&BEG+ PRO Series Subracks	
EK&BEG PRO Series Subracks	

BEK&BEG PRO Series Subracks

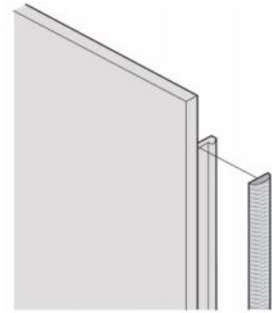
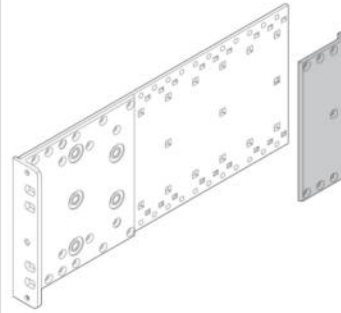
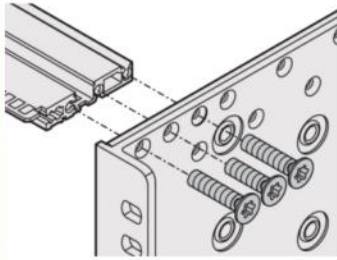
Side panel type R



Side panel type R

Order information

Height U	Depth mm	Side panel type F	Rear angle for stainless steel gasket	EMC textile gasket
3	175	02431752	02431755	1008037
3	235	02432352		
3	295	02432952		
3	355	02433552		
3	415	02434152		
6	175	02461752	02461755	1008045
6	235	02462352		
6	295	02462952		
6	355	02463552		
6	415	02464152		
Screw, M4*14		1004229	1004229	-



BEK&BEG PRO Series Subracks Supporting member



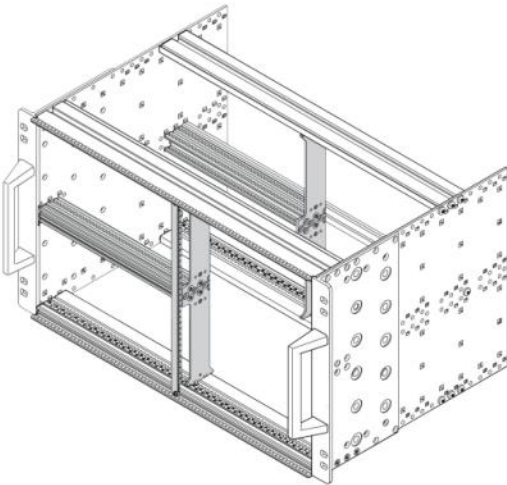
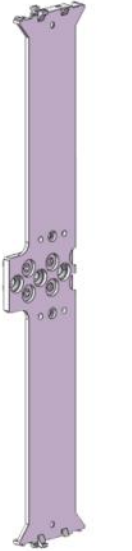

Die cast support components

Product description

- Please order the middle horizontal crossbeam separately (BEK Horizontal Rail, BEG Horizontal Rail, front and rear inserted crossbeam)
- Splices are used for combined installation in a single box (convenient for installing 6U devices and 2 x 3U devices)
- The front of the chassis must be covered with a 2HP front panel

Material and finish

- Aluminum alloy die-casting
- Surface treatment: galvanized

	Die cast support components	Front panel
		
Height U	2 Pieces/Pack	1 Piece
6	1048001	1048002

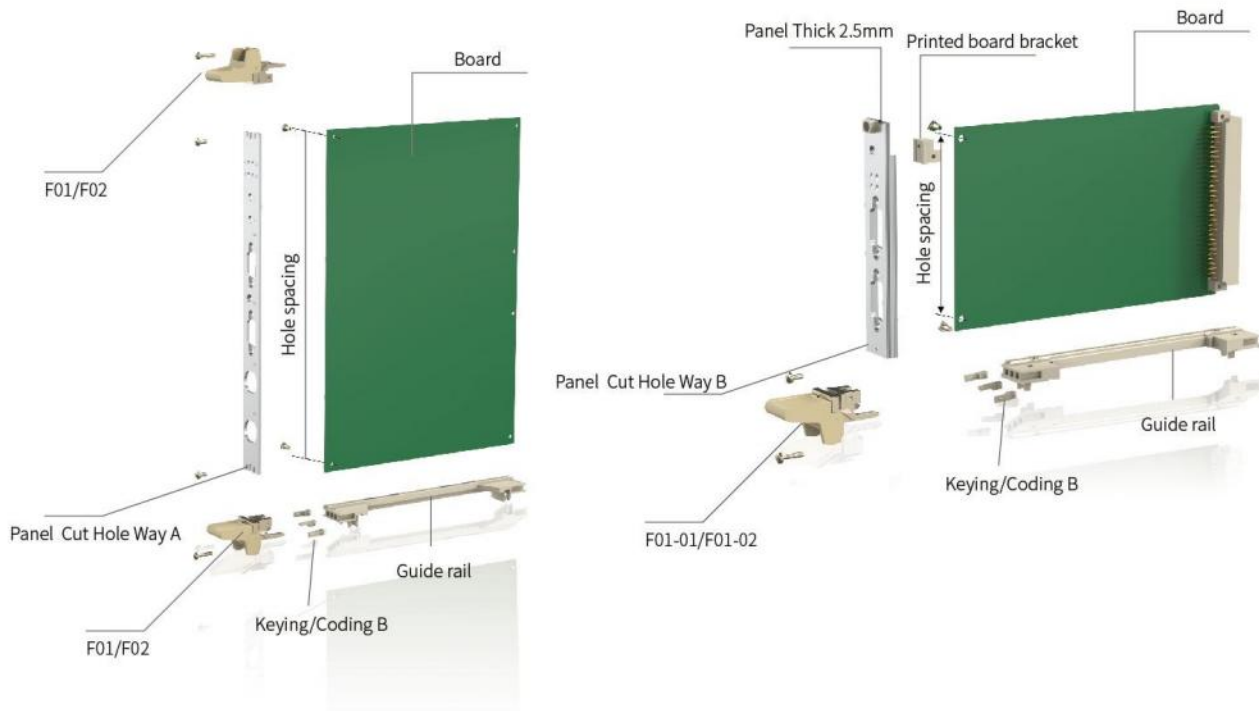
Annex

Collar screw with Pozidrive/slot M2.5x12, Steel nickel plating, 100 Pieces/Package	00100008
Shim 2.7x5x1, Material Quality PA6, 100 Pieces/Package	00100066
EMC textile gasket UL 94V-0, 1 Piece	1008038

EK&EG PRO Series Subracks
EK&EG+ PRO Series Subracks
BEK&BEG PRO Series Subracks
Handle specification and accessories
Guide rail specification and accessories
19" CUR Series Subracks
SNCF Series Subracks
Shielded plug-in units Series Subracks
VERO Series Subracks
Protective Series Subracks
CASE Series Subracks
Type A Series Subracks
Integrated side panel series subracks
IN-S Series Subracks
Subracks Accessories
Panel component
Order no. and page Table



STRUCTURE EXPLODED VIEW



Order information

Order no	Name	Note	Model
1002057	Handle	ABC/DEF	F02/2.0
1002058	Handle	ABC/DEF	F01/2.5
1002059	Handle	ABC/DEF	F01-01/2.5
1002060	Handle	ABC/DEF	F01-02/2.5
1001014	Square Guide rail	160(Square)	Adapter EK/EG
1001017	Square Guide rail	220(Square)	Adapter EK/EG
1001048	F Guide rail	220(Oblique)	Adapter EK/EG

Order no	Name	Note	Model
1001049	F Guide rail	160(Oblique)	Adapter EK/EG
0100006	84TE-EG Front rails	EG	84TE
0100013	84TE-EG Rear rails	EG	84TE
0110006	84TE-EK Front rails	EK	84TE
0110013	84TE-EK Rear rails	EK	84TE
/	Panels	I/II/III	Choice
1009009	Keying/Coding	FCCF-B	F Guide rail

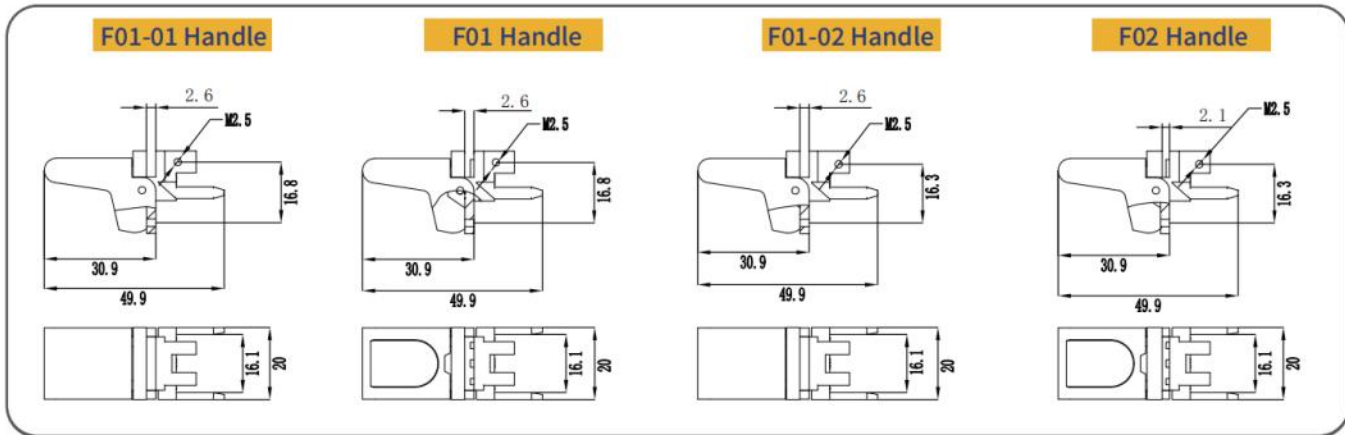
Handle



F01/F02 Handle



F01-01/F01-02 Handle



Standard Order information

Order no	Name	Note	Model	Handle Color	Ultimate torsion
1002058	Handle F01/2.5		ABC/DEF	RAL7032 Grey	400N·m
1002057	Handle F02/2.0		ABC/DEF	RAL7032 Grey	400N·m
1002059	Handle F01-01/2.5		ABC/DEF	RAL7032 Grey	400N·m
1002060	Handle F01-02/2.5		ABC/DEF	RAL7032 Grey	400N·m

Name	F01	F02	F01-01	F01-02
Order no	1002058	1002057	1002059	1002060
PCB Hole spacing 88.9mm	√	-	√	-
PCB Hole spacing 90mm	-	√	-	√
Panel Cut Hole Way A	√	√	-	-
Panel Cut Hole Way B	-	-	√	√
Panel Thick 2.5mm	√	-	√	√
Panel Thick 2.0mm	-	√	-	-

Product description

- This product is mounted on the insert panel and connected directly to the PCB.
- For PCB board pull-out.
- Standard: IEEE1101.10, IEC60297-3-103
- Patent No.: ZL 2017 2 1518214.3
- Brand: RDEKONO

Performance description

- Die casting with guide pins on both sides, compatible with F-type guide rail.
- Compatible with EG\EK\EK+ profile inserts when used with F-type guide rails
- Safe plugging and unplugging can be achieved under the environment of maximum 400N plugging and unplugging force
- Codable
- Fire retardant standard: UL94V-0, EN45545-2
- High temperature aging standard: GB/T7141-2008, 90°C, 6h
- Low temperature embrittlement standard: GB/T5470-2008, -55°C
- ROHS standard: conform to 2011/65/EU

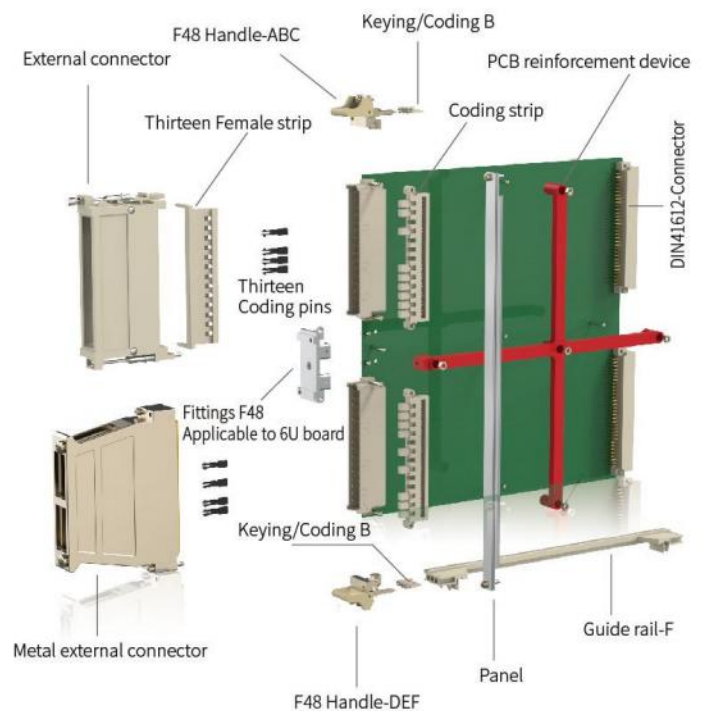
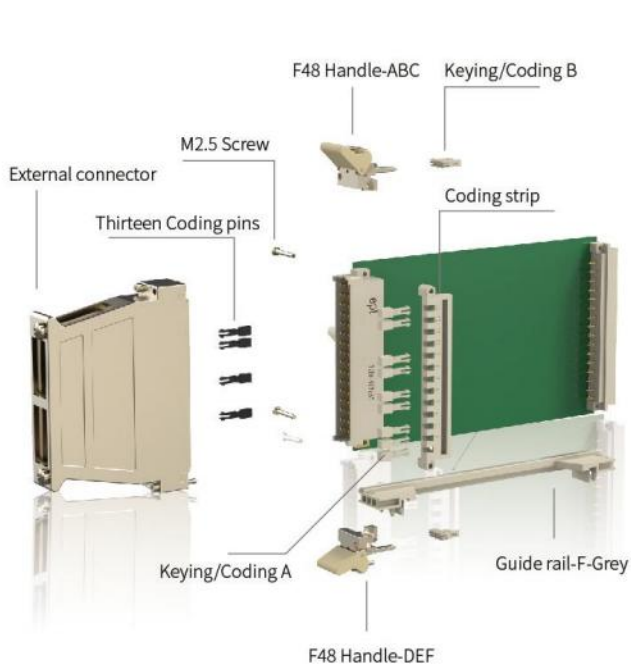
Material and finish

Plastic: PC+20% GF, zinc alloy nickel plated

EM&EG PRO Series Subtracks
EK+&EG+ PRO Series Subtracks
BEK&BEG PRO Series Subtracks
Handle specification and accessories
Guide rail specification and accessories
19°CUR Series Subtracks
SNCF Series Subtracks
Shielded plug-in units Series Subtracks
VERO Series Subtracks
Protective Series Subtracks
CASE Series Subtracks
Type A Series Subtracks
Integrated side panel series subtracks
IN-S Series Subtracks
Subtracks Accessories
Panel component
Order no. and page Table



STRUCTURE EXPLODED VIEW



Name	Order no	Model	Note
Coding strip	1009001	Front end of grey board	FCCF-CZ
Keying/Coding A	1009002	Front end of grey board	FCCF-A
Thirteen Female strip	1009003	Grey external connector	FCCF-CZ13
Thirteen Coding pins	1009004	Black external connector	FCCF-X13
Keying/Coding B	1009009	F Guide rail	FCCF-B
Handle	1002063	F48 (Top)	\
Handle	1002065	F48-Black handle (Top)	\
Handle	1002299	F48-1 Top	\
Handle	1002064	F48 (Bottom)	\

Name	Order no	Model	Note
Handle	1002066	F48-Black handle (Bottom)	\
Handle	1002300	F48-1 Bottom	\
F Guide rail	1001048	220 (Oblique)	Adapter EK/EG
F Guide rail	1001049	160 (Oblique)	Adapter EK/EG
Square guide rail	1001014	160 (Square)	Adapter EK/EG
Square guide rail	1001017	220 (Square)	Adapter EK/EG
Fittings F48	BQ002.002.006	20*49.5*13.2	Applicable to 6U board
Front panel	057	II Sectional material	057 Series
PCB reinforcement device	1002310	Red	PCB reinforcement device

F48 Series static handle specification



F48 Series Handle

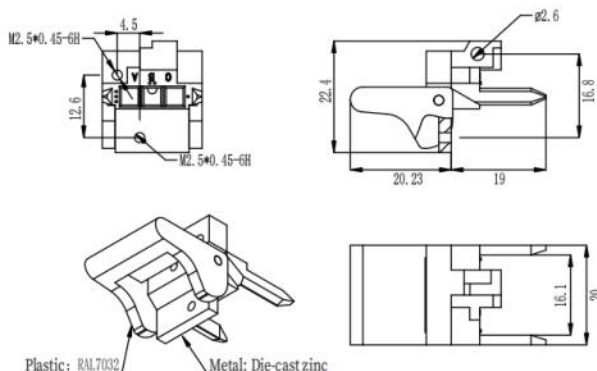


Standard (RAL7032)

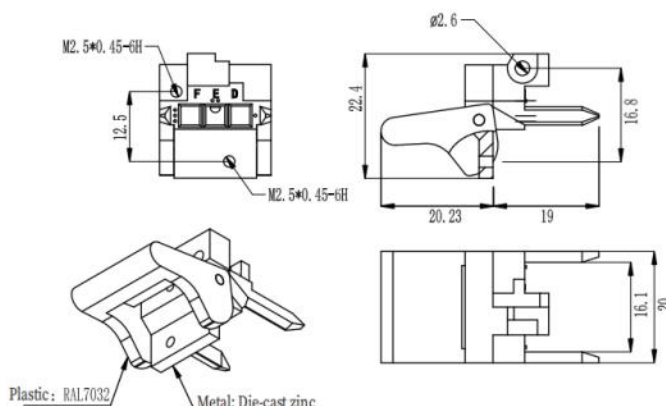


Enhanced (RAL7032)

Handle Top (ABC)



Handle bottom (DEF)



Standard Order information

Order no	Name	Note	Model	Color	Ultimate torsion
1002063	Handle	F48(Top)	ABC	RAL7032 Grey	300N•m
1002064	Handle	F48(bottom)	DEF	RAL7032 Grey	300N•m
1002065	Handle	F48(Top)	ABC	RAL9011 Black	300N•m
1002066	Handle	F48(bottom)	DEF	RAL9011 Black	300N•m

Enhanced Order information

Order no	Name	Note	Model	Color	Ultimate torsion
1002299	Handle	F48-1(Top)	ABC	RAL7032 Grey	500N•m
1002300	Handle	F48-1(bottom)	DEF	RAL7032 Grey	500N•m

Product description

- This product is used for high-density connectors for unplugging and plugging, which can be directly connected to PCB
- Standard compliance: IEC60297-3-103
- Patent No.: ZL 2017 2 1518228.5
- Brand: RDEKONO

Performance description

- Comes with metal positioning claw, matching with F-type guide rail
- Standard F48 handle for safe insertion and removal at up to 300N
- Reinforced F48 handle for safe insertion and removal at up to 500N
- Fire protection standard: UL94V-0, EN45545-2
- Aging standard: GB/T7141-2008, 90°C, 6h
- Embrittlement standard: GB/T5470-2008, -55°C
- ROHS standard: in line with 2011/65/EU

Material and finish

Plastic: PC+20% GF, zinc alloy nickel plated

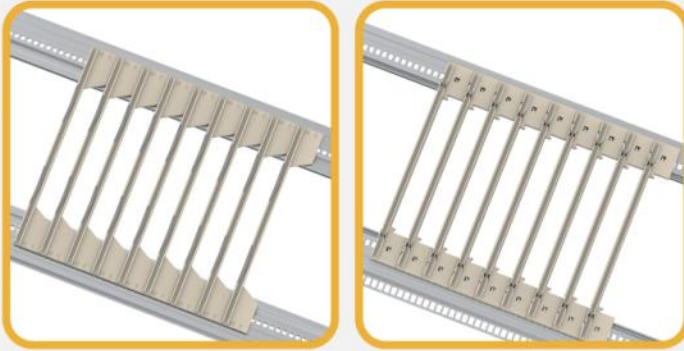
NOTE The size of the reinforced type is the same as that of the standard type, but the ultimate pulling force is different; Both standard and reinforced models support handle color customization

EM&EG PRO Series Subracks
 EK&EG+ PRO Series Subracks
 BEK&BEG PRO Series Subracks
 Handle specification and accessories
 Guide rail specification and accessories
 19" CUR Series Subracks
 SINC F Series Subracks
 Shielded plug-in units Series Subracks
 VERO Series Subracks
 Protective Series Subracks
 CASE Series Subracks
 Type A Series Subracks
 Integrated side panel series subracks
 IN-5 Series Subracks
 Subracks Accessories
 Panel component
 Order no. and page Table

Static handle specification



Handl eaccessories



Order information

Order no	Name	Note	Model
1001048	Guide rail-F	220 (Oblique)	Adapter EK/EG
1001049	Guide rail-F	160 (Oblique)	Adapter EK/EG
1001014	Square guide rail	160 (Square)	Adapter EK/EG
1001017	Square guide rail	220 (Square)	Adapter EK/EG

Product description

- Used with F48/F01 series handle for PCB board guiding installation.
- Suitable for PCB board with 160mm/220mm depth.
- Use with F48/F01 series handle and error-proof code pin.
- Prevents PCB board from being inserted by mistake.

Performance description

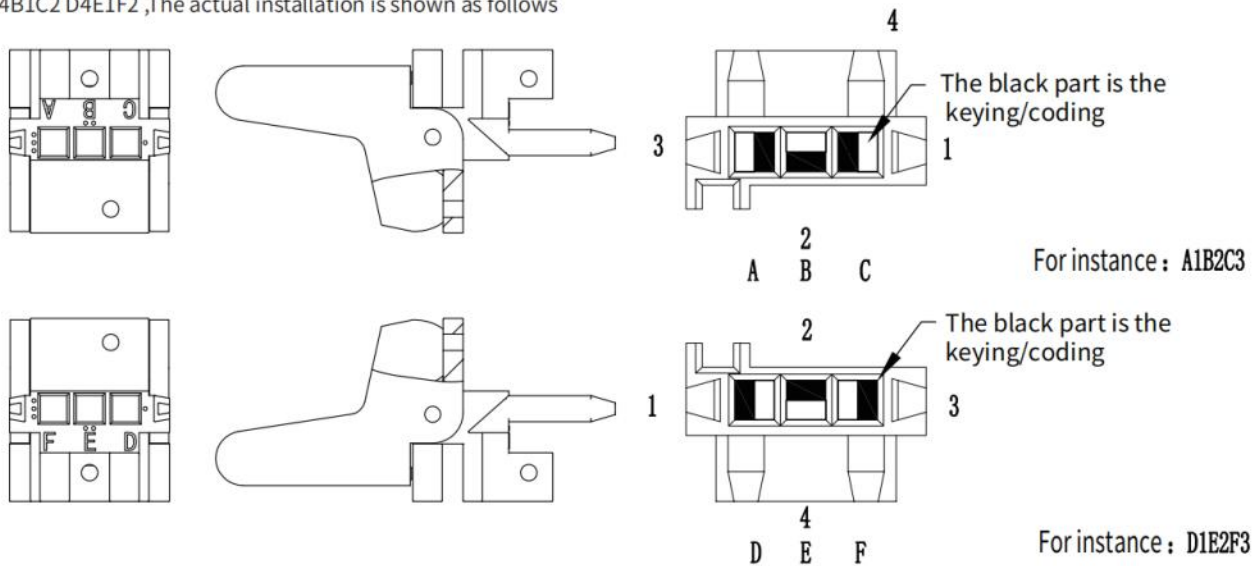
- Patent: ZL 2017 2 1517360.4
- Fire retardant test report: TC.17.04.000972
- Grade R22-R23 contains items: oxygen index test, smoke density test, toxicity test.
- Standard compliance: EN 45545-2:2013 + A1:2015(E)
- Low-temperature embrittlement inspection standard: GB/T5470-2008 -55°C
- High-temperature aging inspection standard: GB/T7141-2008, 90°C, 6h

Material and finish

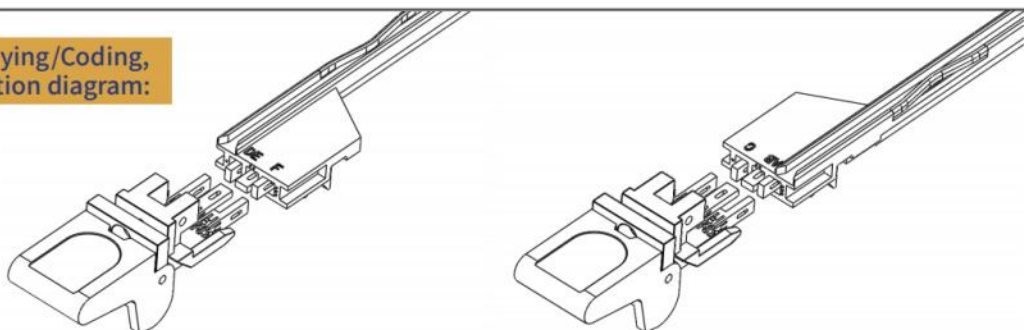
Plastic: PC+20%GF

Keying/Coding Usage specification

For example, drawing requirements provided by the customer keying/Coding is A4B1C2 D4E1F2 ,The actual installation is shown as follows



Handle, Guide rail, Keying/Coding, Coordination installation diagram:



Cross stiffener

Product description

- Installed on the PCB board, make the card more solid, can effectively avoid deformation and damage to the card under severe vibration.
- Only applicable to board height 6U, board depth 220mm.

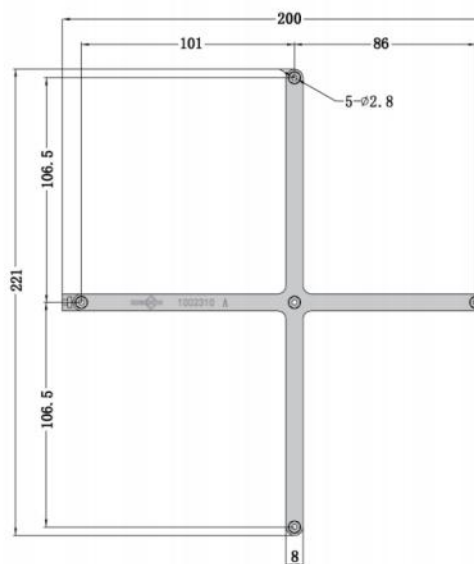
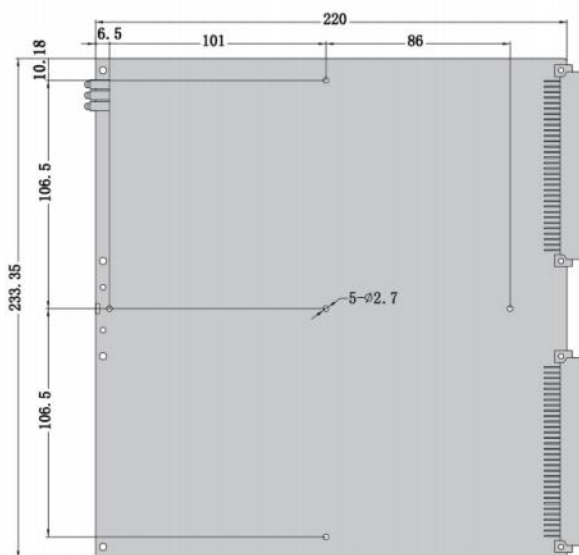
Performance description

- High-temperature aging standard: GB/T7141-2008, 90°C, 6h
- Low temperature embrittlement standard: GB/T5470-2008, -55°C
- Fire retardant standard: UL94V-0, EN45545-2
- Fire resistance standard: EN 45545-2:2013+A1:2015(E)
- ROHS standard: 2011/65/EU

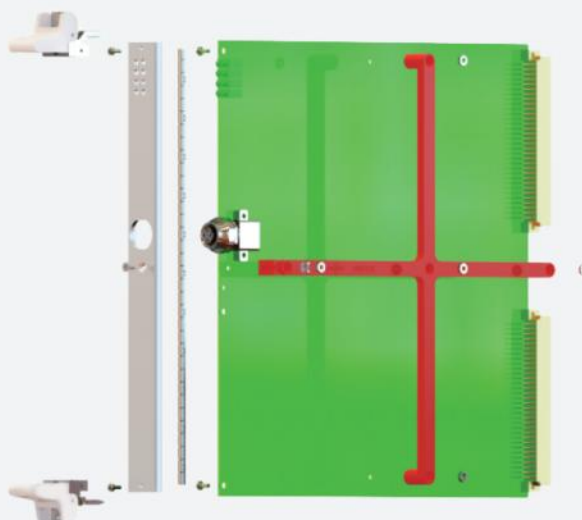
Material and finish

>PA+20%GF

Cut-Size



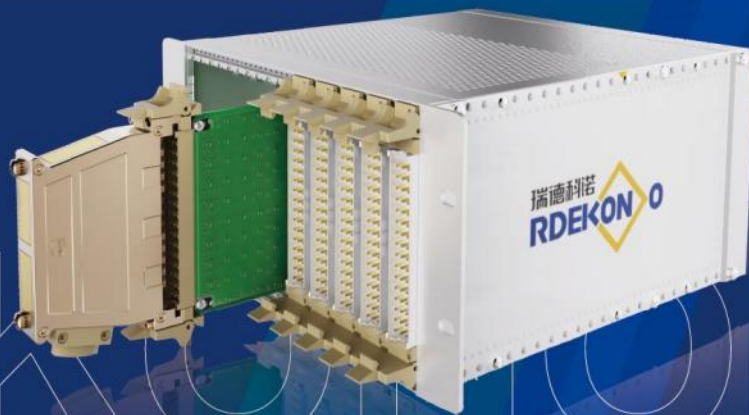
Schematic



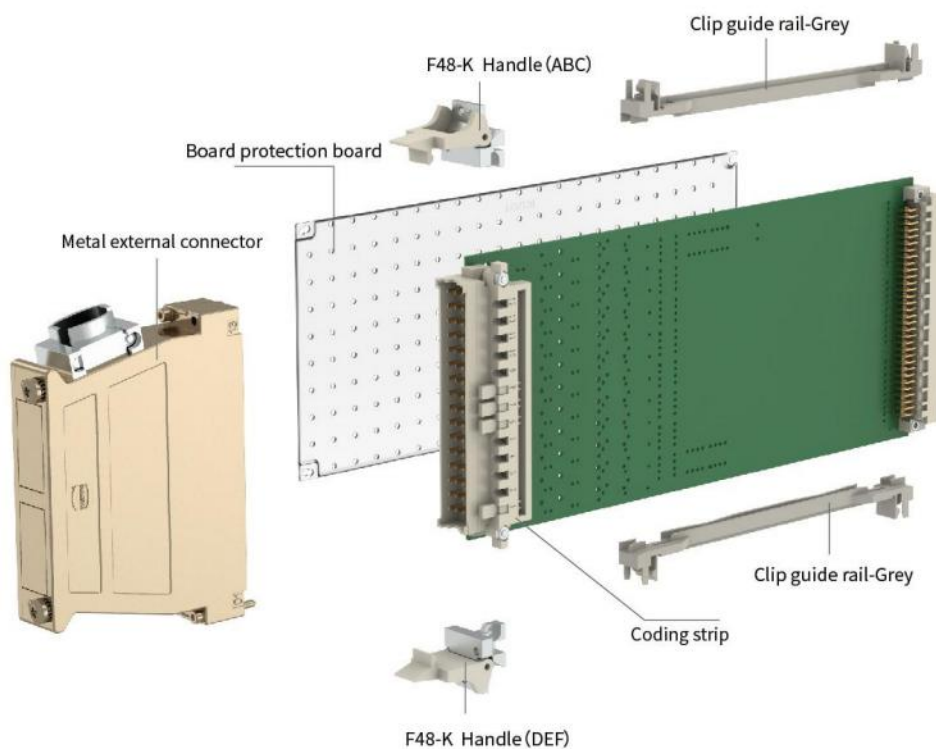
Delivery Comprises(kit)

Name	Qty	Model	Colour code	Order no
Cross stiffener	1	Red	RAL3018	1002310
Square nut	1	M2.5	/	1005002
Hex Nut	5	M2.5	/	1005001
Pozidrive c/sk screw	1	M2.5x6	/	1004011
Pan head Pozidrive c/sk screw	5	M2.5x16	/	1004008

EK&EG PRO Series Subracks
EK&EG+ PRO Series Subracks
BEK&BEG PRO Series Subracks
Handle specification and accessories
Guide rail specification and accessories
19"CUR Series Subracks
SNCF Series Subracks
Shielded plug-in units Series Subracks
VERO Series Subracks
Protective Series Subracks
CASE Series Subracks
Type A Series Subracks
Integrated state panel series subracks
IN-S Series Subracks
Subracks Accessories
Panel component
Order no. and page Table



F48-K RELATED STRUCTURE EXPLODED VIEW



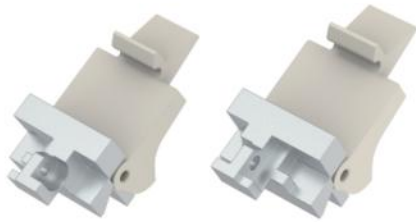
Order information

Name	Order no	Model	Note	Name	Order no	Model	Note
Coding strip	1009001	Front end of grey board	FCCF-CZ	Clip guide rail	1001044	/	Adapter EK/EG
Keying/Coding B	1009009	F Guide rail	FCCF-B	Clip guide rail	1001045	/	Adapter EK/EG
Handle	1002484	F48-K(Top)	ABC	Board protection board	1037001	3U160	Adapter 160mm Power board
Handle	1002485	F48-K(Bottom)	DEF	Board protection board	1037011	3U220	Adapter 220mm Power board

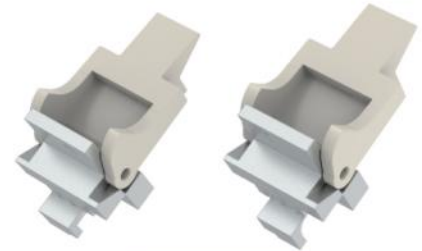
F48 Series static handle specification



F48-K Handle

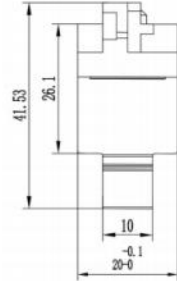
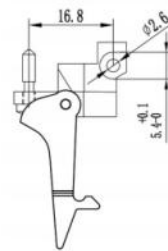
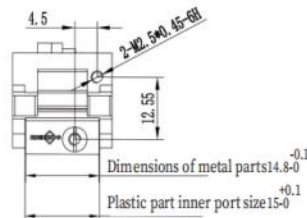
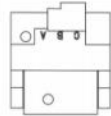
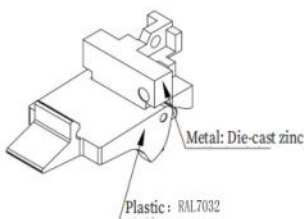


F48-K (RAL7032)

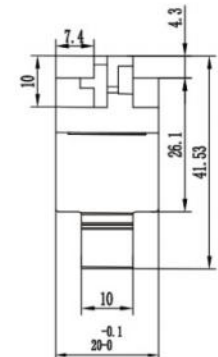
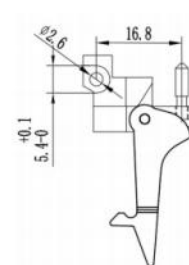
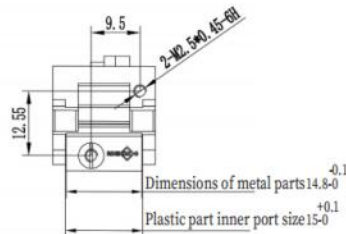
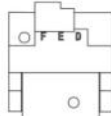
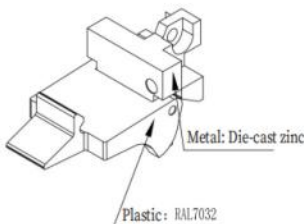


F48-K (RAL7032)

Handle Top (ABC)



Handle bottom (DEF)



Performance description

F48-K puller compatible with various forms of card guides
Fire protection standards: UL94V-0, EN45545-2
Aging standard: GB/T7141-2008, 90 °C, 6h
Brittle standard: GB/T5470-2008, -55 °C
ROHS standard: compliant with 2011/65/EU

Product description

This product is mainly used for unplugging PCB boards and installing external connectors, providing additional installation torque for external connectors and improving the reliability of electrical connections.

The front end of EURO CARD is welded with connectors that comply with DIN41612 standard, which are used in conjunction with external connectors for front-end outgoing lines

Material and finish

PC+20%GF, Zinc alloy nickel plating
Color: RAL7032
Support customization of other colors, inquire by phone

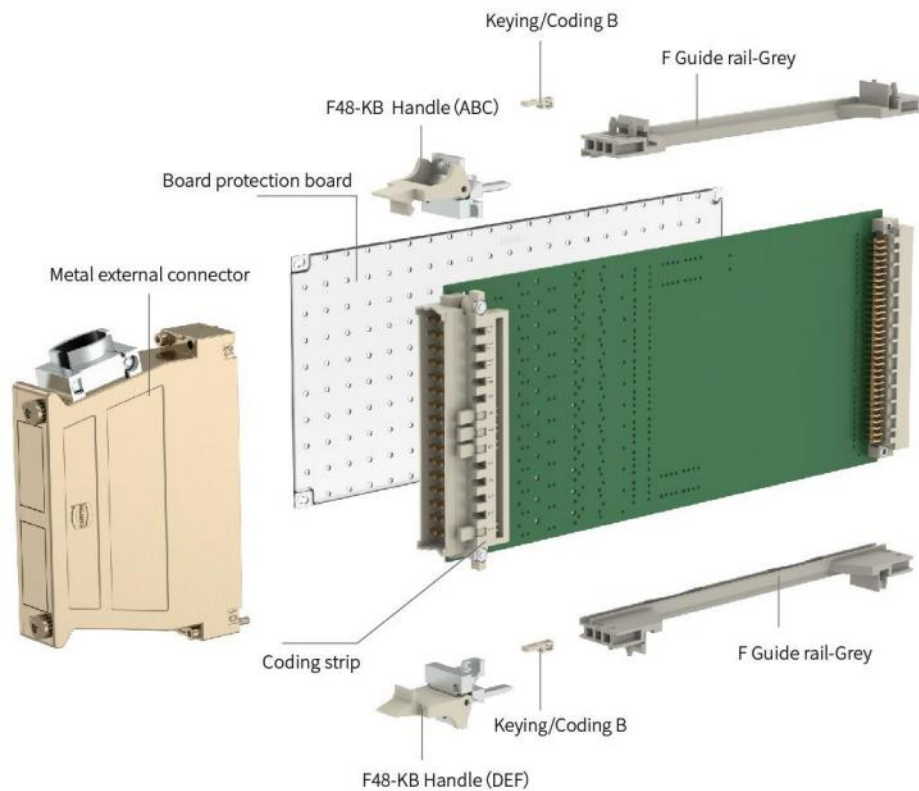
Order information

Order no	Name	Note	Model	Color
1002484	Handle	F48-K (Top)	ABC	RAL7032 Grey
1002485	Handle	F48-K (bottom)	DEF	RAL7032 Grey

EK&EG PRO Series Subracks
EK+EG+PRO Series Subracks
BEK&BEG PRO Series Subracks
Handle specification and accessories
Guide rail specification and accessories
19" CUR Series Subracks
SNCF Series Subracks
Shielded plug-in units Series Subracks
VERO Series Subracks
Protective Series Subracks
CASE Series Subracks
Type A Series Subracks
Integrated fibre panels series subracks
IN-S Series Subracks
Subracks Accessories
Panel component
Order no. and page Table



F48-KB RELATED STRUCTURE EXPLODED VIEW



Order information

Name	Order no	Model	Note	Name	Order no	Model	Note
Coding strip	1009001	Front end of grey board	FCCF-CZ	F Guide rail	1001049	160 (Oblique)	Adapter EK/EG
Keying/Coding B	1009009	F Guide rail	FCCF-B	Square guide rail	1001014	160 (Square)	Adapter EK/EG
Handle	1002508	F48-KB (Top)	ABC	Square guide rail	1001017	220 (Square)	Adapter EK/EG
Handle	1002509	F48-KB (Bottom)	DEF	Board protection board	1037001	3U160	Adapter 160mm Power board
F Guide rail	1001048	220 (Oblique)	Adapter EK/EG	Board protection board	1037011	3U220	Adapter 220mm Power board

F48 Series static handle specification



F48-K Handle

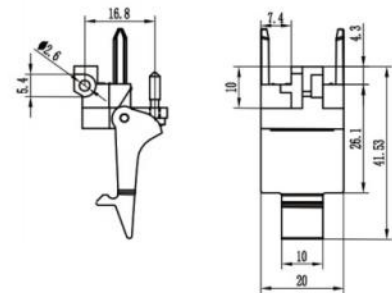
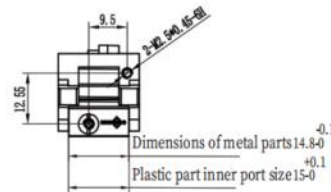
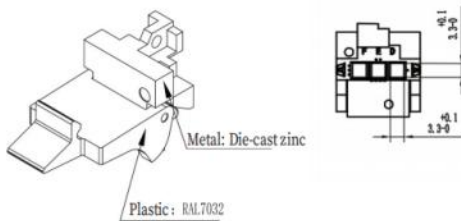


F48-KB (RAL 7032)

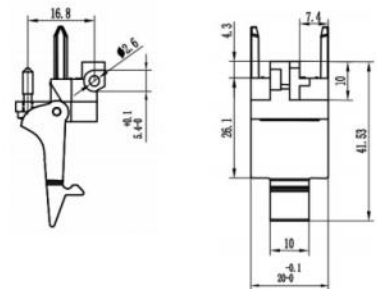
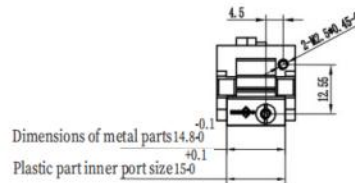
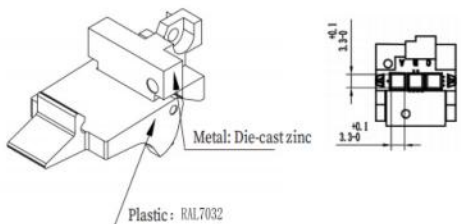


F48-KB (RAL 7032)

Handle Top (ABC)



Handle bottom (DEF)



Performance description

F48-KB puller is used in conjunction with an encoder rail to achieve anti insertion error function (refer to page 42 for anti insertion error usage specifications)
 Fire protection standards: UL94V-0, EN45545-2
 Aging standard: GB/T7141-2008, 90 °C, 6h
 Brittle standard: GB/T5470-2008, -55 °C
 ROHS standard: compliant with 2011/65/EU

Product description

This product is mainly used for unplugging PCB boards and installing external connectors, providing additional installation torque for external connectors and improving the reliability of electrical connections.

The front end of EURO CARD is welded with connectors that comply with DIN41612 standard, which are used in conjunction with external connectors for front-end outgoing lines

Material and finish

PC+20%GF, Zinc alloy nickel plating
 Color: RAL7032
 Support customization of other colors, inquire by phone

Order information

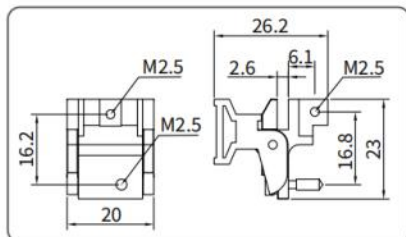
Order no	Name	Note	Model	Color
1002508	Handle	F48-KB (Top)	ABC	RAL7032 Grey
1002509	Handle	F48-KB (bottom)	DEF	RAL7032 Grey

EK&EG PRO Series Subracks
 EK+&EG+ PRO Series Subracks
 BEK&BEG PRO Series Subracks
 Handle specification and accessories
 Guide rail specification and accessories
 19" CUR Series Subracks
 SNCF Series Subracks
 Shielded plug-in units Series Subracks
 VERO Series Subracks
 Protective Series Subracks
 CASE Series Subracks
 Type A Series Subracks
 Integrated fibre panel series subracks
 IN-S Series Subracks
 Subracks Accessories
 Panel component
 Order no. and page Table

Handle



I Handle

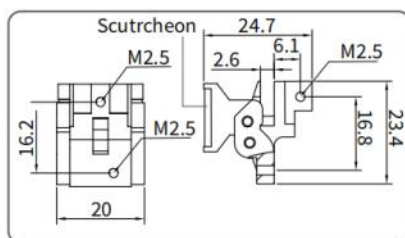


Order information

Order no	Name	Model	color	Colour code
1002001	Handle	I	Grey	RAL7047
1002003	Handle	I	Black	RAL9011



I-SX Handle

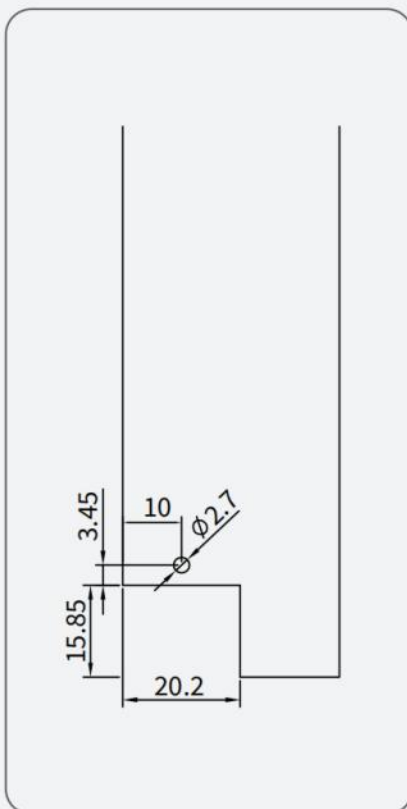


Order no	Name	Model	color	Colour code
1002006	Handle	I-SX	Grey	RAL7032
1002007	Handle	I-SX	Black	RAL9011
1025010	Scutcheon	/	Natural color	/

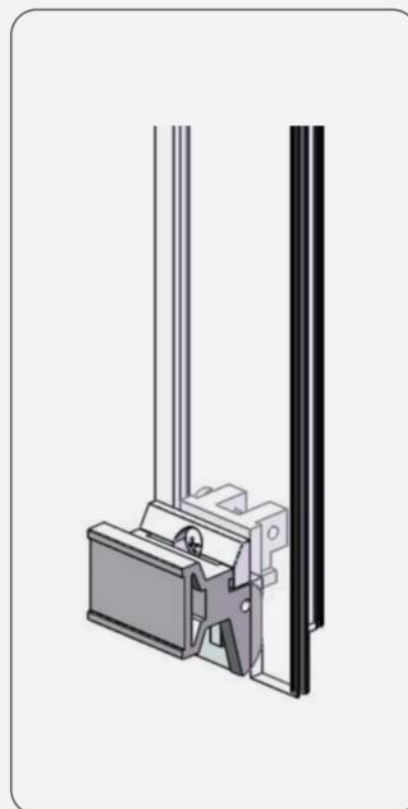
Product description

- This product is mounted on the insert panel and connected directly to the PCB.
- For PCB board insertion and extraction.
- 3U panel requires only one handle below.
- Plastic parts can be screen printed on the front.
- Works with card guides
- Compliant with IEEE1101.10 standard
- Signage purchased separately, signage text can be customized

Cut-Size



Schematic



Performance description

- High-temperature aging standard: GB/T7141-2008,,90°C, 6h
- Low temperature embrittlement standard: GB/T5470-2008, -55°C
- Fire retardant standard: UL94V-0, EN45545-2
- Fire resistance standard: EN 45545-2:2013+A1:2015(E)
- ROHS standard: 2011/65/EU

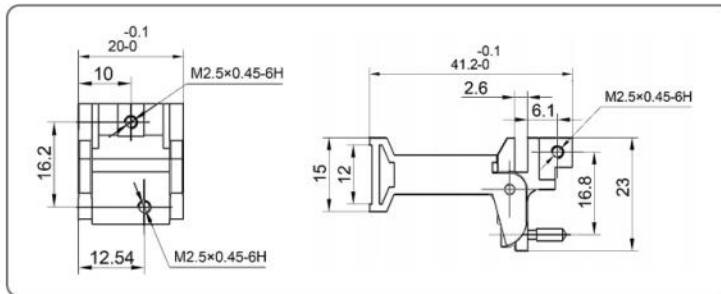
Material and finish

- Plastic: PC+20% GF, zinc alloy nickel plated
- Plastic: PC+20% GF, zinc alloy nickel plated

Handle



Type II-Z Handle



Order information

Order no	Name	Model	color	Colour code
1002511	Handle	Type II-Z	Grey	RAL7047
1002512	Handle	Type II-Z	Black	RAL9011

Product description

- This product is mounted on the insert panel and connected directly to the PCB.
- For PCB board insertion and extraction.
- 3U panel requires only one handle below.
- Plastic parts can be screen printed on the front.
- Works with card guides
- Compliant with IEEE1101.10 standard

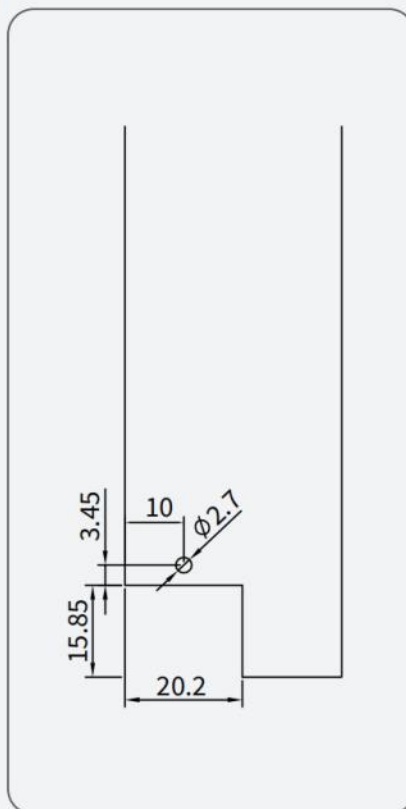
Performance description

- High-temperature aging standard: GB/T7141-2008, 90°C, 6h
- Low temperature embrittlement standard: GB/T5470-2008, -55°C
- Fire retardant standard: UL94V-0, EN45545-2
- Fire resistance standard: EN 45545-2:2013+A1:2015(E)
- ROHS standard: 2011/65/EU

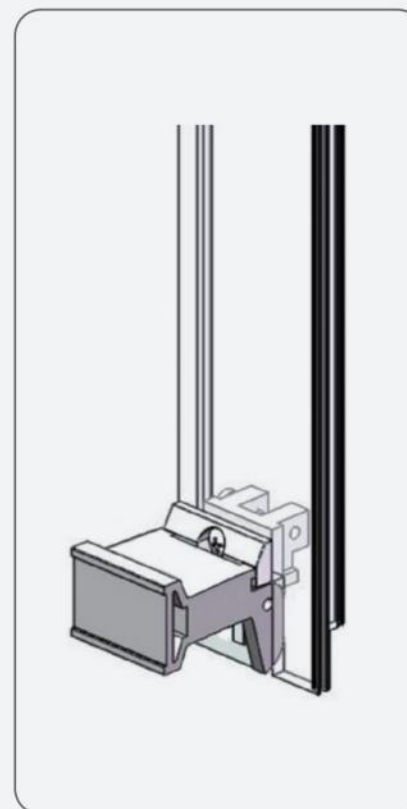
Material and finish

- Plastic: PC+20% GF, zinc alloy nickel plated

Cut-Size



Schematic



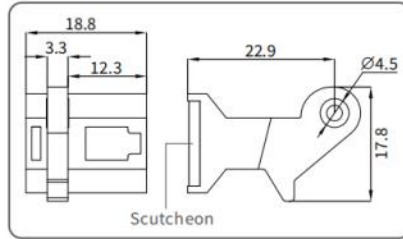
- EK&EG PRO Series Subracks
- EK+MEG+ PRO Series Subracks
- BEM&BEG PRO Series Subracks
- Handle specification and accessories
- Golden rail specification and accessories
- 19" CUR Series Subracks
- SNCF Series Subracks
- Shielded plug-in units Series Subracks
- VERO Series Subracks
- Protective Series Subracks
- CASE Series Subracks
- Type A Series Subracks
- Integrated side panels series subracks
- IN-S Series Subracks
- Subracks Accessories
- Panel component
- Order no. and page Table

Static handle specification

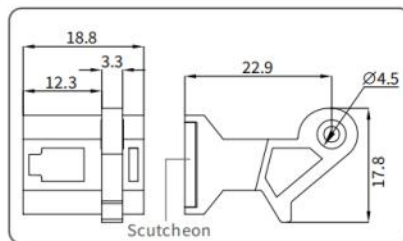
Handle



III Handle



III Handle



Order information

Order no	Name	Model	color	Colour code
1002368	Handle	III (Top)	Grey	RAL7023
1002367	Handle	III (Bottom)	Grey	RAL7023
1002372	Handle	III (Top)	Black	RAL9011
1002373	Handle	III (Bottom)	Black	RAL9011

Delivery includes

Order no	Name	3U Qty	6U Qty	Model
1002368	III Handle	/	1	III Handle Top
1002367	III Handle	1	1	III Handle bottom
1025010	Scutcheon	1	2	18.7x13.3x1.5
1002369	Shaft	1	2	3.5x4.5
1015004	Printed board bracket	1	2	Metal-B
1004011	Screw	1	2	M2.5x6
1004009	Screw	1	2	M2.5x12

Product description

- For flat panels/U-shaped panels
- For unplugging cards
- 3U panel requires only one handle below
- Printed label on the front of the plastic part
- Works with card guides
- Compliant with IEEE1101.10 standard

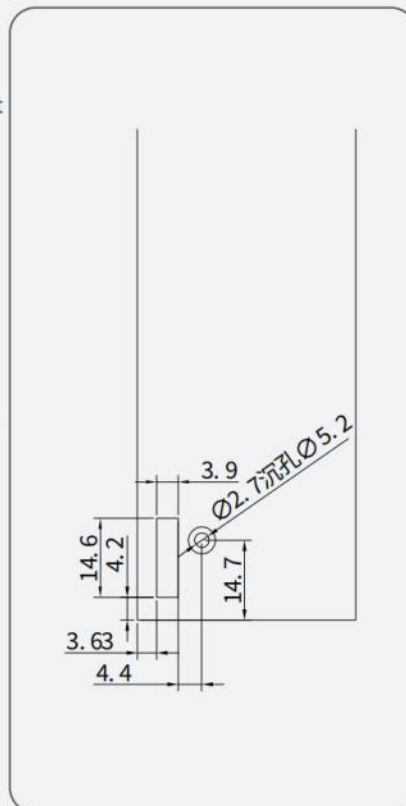
Performance description

- High-temperature aging standard: GB/T7141-2008, 90°C, 6h
- Low temperature embrittlement standard: GB/T5470-2008, -55°C
- Fire retardant standard: UL94V-0, EN45545-2
- Fire resistance standard: EN 45545-2:2013+A1:2015(E)
- ROHS standard: 2011/65/EU

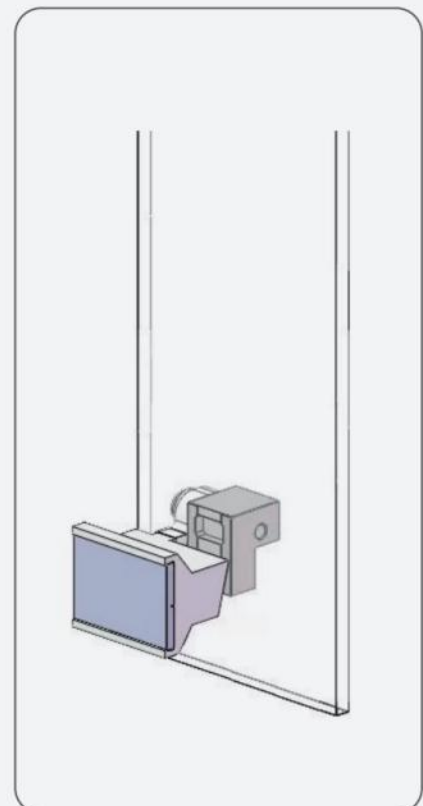
Material and finish

PC+20%GF; Copper

Cut-Size



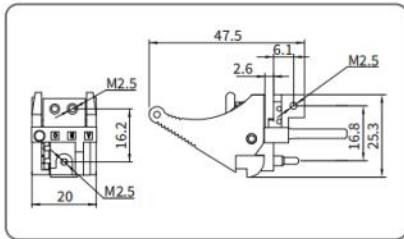
Schematic



Handle



T01/T02 Handle

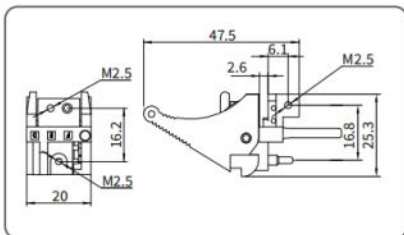


Order information

Order no	Name	Model	color	Colour code
1002012	Handle	T01 (Top)	Black handle+red button	RAL9011+RAL3031
1002013	Handle	T01 (Bottom)	Black handle+red button	RAL9011+RAL3031
1002374	Handle	T01 (Top)	Grey handle+red button	RAL7035+RAL3031
1002375	Handle	T01 (Bottom)	Grey handle+red button	RAL7035+RAL3031



T01/T02 Handle



Order no	Name	Model	color	Colour code
1002016	Handle	T02 (Top)	Black handle+dark red button	RAL9011+RAL3007
1002017	Handle	T02 (Bottom)	Black handle+dark red button	RAL9011+RAL3007
1002380	Handle	T02 (Top)	Grey handle+dark red button	RAL7035+RAL3007
1002381	Handle	T02 (Bottom)	Grey handle+dark red button	RAL7035+RAL3007

Product description

- Suitable for flat panel/U-shaped panel
- For PCB board insertion and extraction
- Use with front rails with square hole
- Optional micro switch for hot-swapping
- Codable to realize anti-insertion function
- Compliant with IEEE1101.10 standard

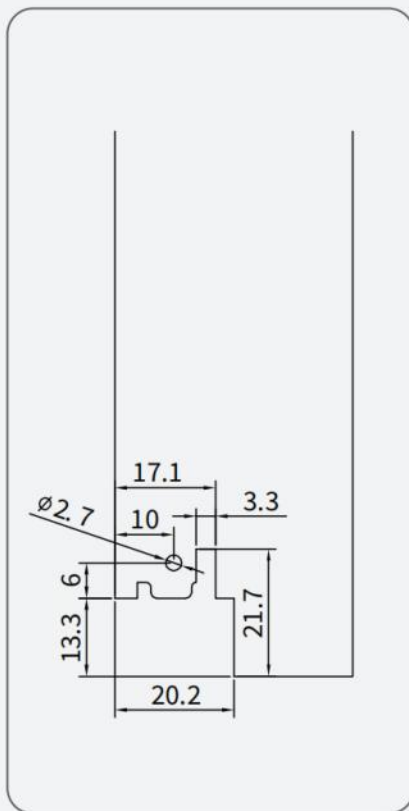
Performance description

- High-temperature aging standard: GB/T7141-2008,,90°C, 6h
- Low temperature embrittlement standard: GB/T5470-2008, -55°C
- Fire retardant standard: UL94V-0, EN45545-2
- Fire resistance standard: EN 45545-2:2013+A1:2015(E)
- ROHS standard: 2011/65/EU

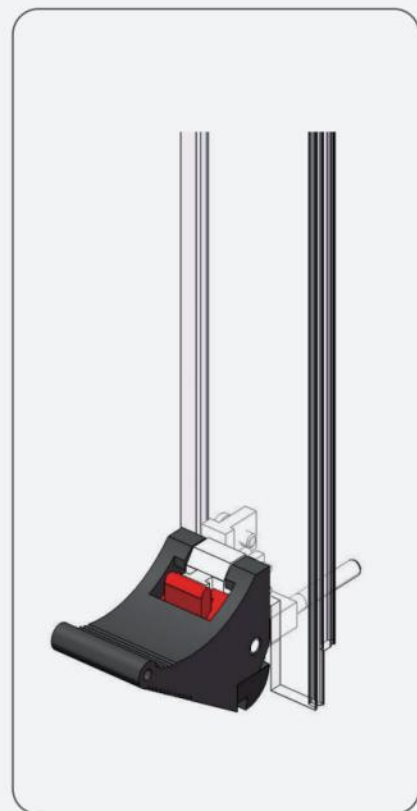
Material and finish

- Plastic: PC+20% GF, zinc alloy nickel plated
- Plastic: PC+20% GF, zinc alloy nickel plated

Cut-Size



Schematic

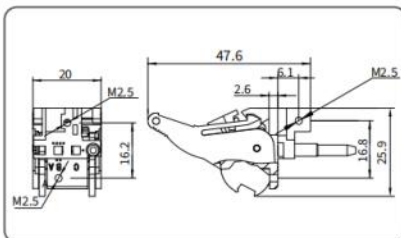


EK&EG PRO Series Subracks
 EK&EG+PRO Series Subracks
 BEK&BEG PRO Series Subracks
 Handle specification and accessories
 Guide rail specification and accessories
 19" CUR Series Subracks
 SNCF Series Subracks
 Shielded plug-in units Series Subracks
 VERO Series Subracks
 Protective Series Subracks
 CASE Series Subracks
 Type A Series Subracks
 Integrated slide panel series subracks
 IN-S Series Subracks
 Subracks Accessories
 Panel component
 Order no. and page Table

Handle



T04 Handle

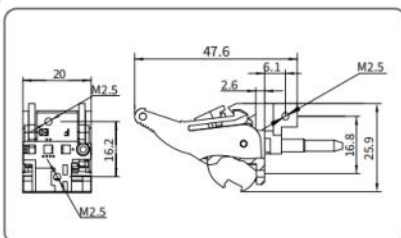


Order information

Order no	Name Model	color	Colourcode
1002020	Handle T04 (Top)	Black handle+red button	RAL9011+RAL3031
1002021	Handle T04 (Bottom)	Black handle+red button	RAL9011+RAL3031



T04 Handle

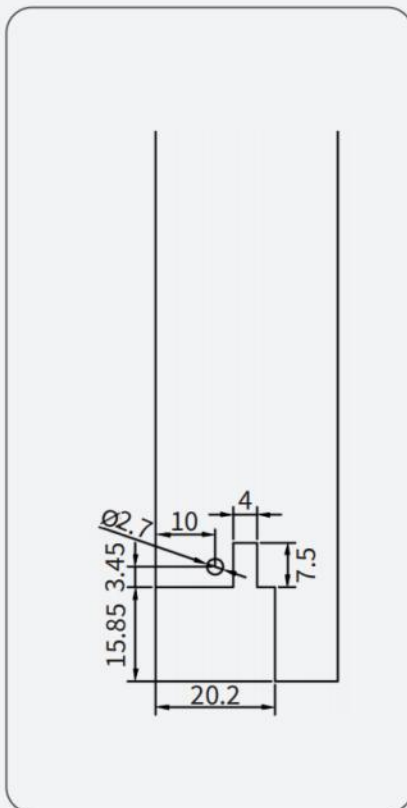


Order no	Name Model	color	Colourcode
1002018	Handle T04 (Top)	Grey handle+red button	RAL7035+RAL3031
1002019	Handle T04 (Bottom)	Grey handle+red button	RAL7035+RAL3031

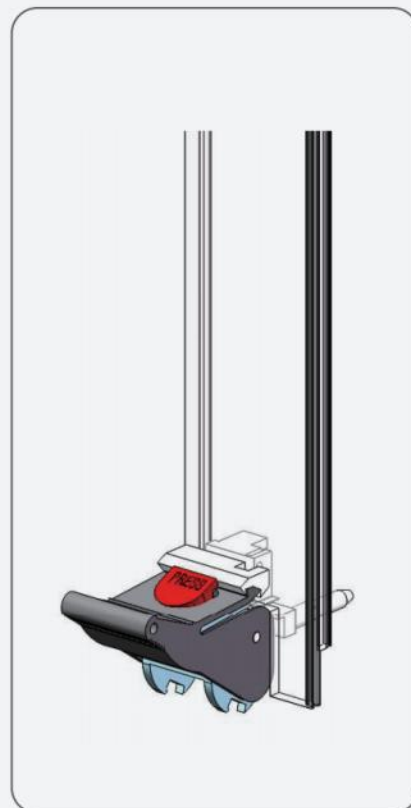
Product description

- Suitable for flat panel/U-shaped panel
- For PCB board insertion and extraction
- Use with front rails with square hole
- Optional micro switch for hot-swapping
- Codable to realize anti-insertion function
- Compliant with IEEE1101.10 standard

Cut-Size



Schematic



Performance description

- High-temperature aging standard: GB/T7141-2008, 90°C, 6h
- Low temperature embrittlement standard: GB/T5470-2008, -55°C
- Fire retardant standard: UL94V-0, EN45545-2
- Fire resistance standard: EN 45545-2:2013+A1:2015(E)
- ROHS standard: 2011/65/EU

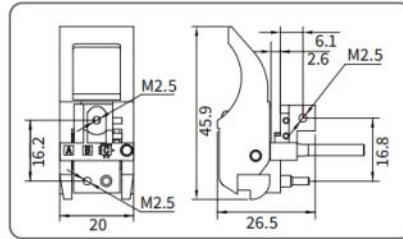
Material and finish

- Plastic: PC+20% GF, zinc alloy nickel plated

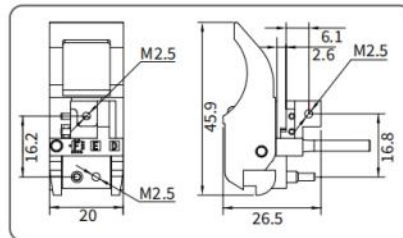
Handle



T06/T07 Handle



T06/T07 Handle



Order information

Order no	Name	Model	color	Colour code
1002028	Handle	T06 (Top)	Black handle+red button	RAL9011+RAL3031
1002029	Handle	T06 (Bottom)	Black handle+red button	RAL9011+RAL3031
1002412	Handle	T06 (Top)	Grey handle+red button	RAL7035+RAL3031
1002413	Handle	T06 (Bottom)	Grey handle+red button	RAL7035+RAL3031

Order no	Name	Model	color	Colour code
1002032	Handle	T07 (Top)	Black handle+dark red button	RAL9011+RAL3007
1002033	Handle	T07 (Bottom)	Black handle+dark red button	RAL9011+RAL3007
1002410	Handle	T07 (Top)	Grey handle+dark red button	RAL7035+RAL3007
1002411	Handle	T07 (Bottom)	Grey handle+dark red button	RAL7035+RAL3007

Product description

- Suitable for flat panel/U-shaped panel
- For PCB board insertion and extraction
- Use with front rails with square hole
- Optional micro switch for hot-swapping
- Codable to realize anti-insertion function
- Compliant with IEEE1101.10 standard

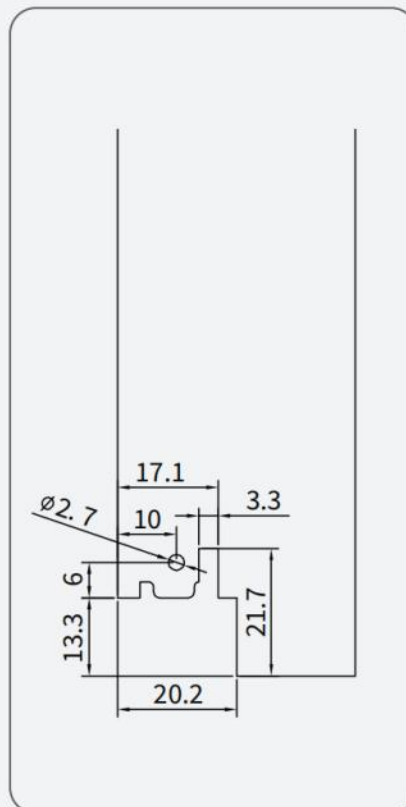
Performance description

- High-temperature aging standard: GB/T7141-2008,,90°C, 6h
- Low temperature embrittlement standard: GB/T5470-2008, -55°C
- Fire retardant standard: UL94V-0, EN45545-2
- Fire resistance standard: EN 45545-2:2013+A1:2015(E)
- ROHS standard: 2011/65/EU

Material and finish

- Plastic: PC+20% GF, zinc alloy nickel plated
- Plastic: PC+20% GF, zinc alloy nickel plated

Cut-Size



Schematic

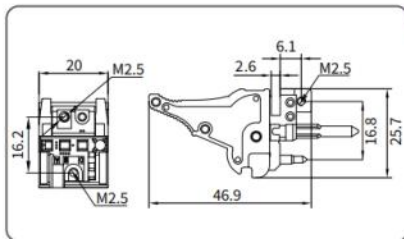


EK&EG PRO Series Subtracks
 EK+MEG+ PRO Series Subtracks
 BEK&BEG PRO Series Subtracks
 Handle specification and accessories
 Guide rail specification and accessories
 19" CUR Series Subtracks
 SNCF Series Subtracks
 Shielded plug-in units Series Subtracks
 VERO Series Subtracks
 Protective Series Subtracks
 CASE Series Subtracks
 Type A Series Subtracks
 Integrated site panels series subtracks
 IN-S Series Subtracks
 Subtracks Accessories
 Panel component
 Order no. and page table

Handle



T08 Handle

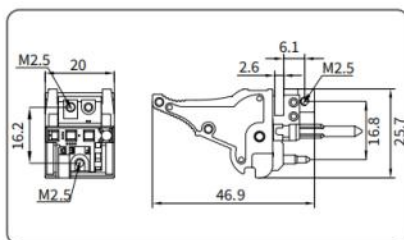


Order information

Order no	Name	Model	color	Colour code
1002034	Handle	T08 (Top)	Black handle+grey button	RAL9011+RAL7035
1002035	Handle	T08 (Bottom)	Black handle+grey button	RAL9011+RAL7035
1002036	Handle	T08 (Top)	Black handle+red button	RAL9011+RAL3031
1002037	Handle	T08 (Bottom)	Black handle+red button	RAL9011+RAL3031



T19 Handle

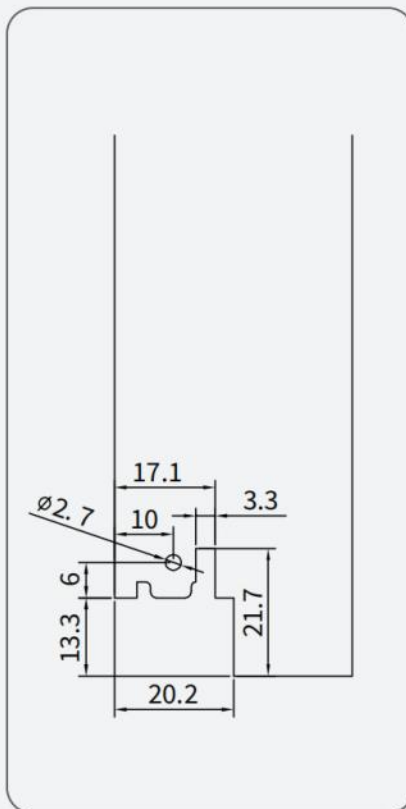


Order no	Name	Model	color	Colour code
1002052	Handle	T19 (Top)	Grey handle+Black button	RAL7035+RAL9011
1002053	Handle	T19 (Bottom)	Grey handle+Black button	RAL7035+RAL9011

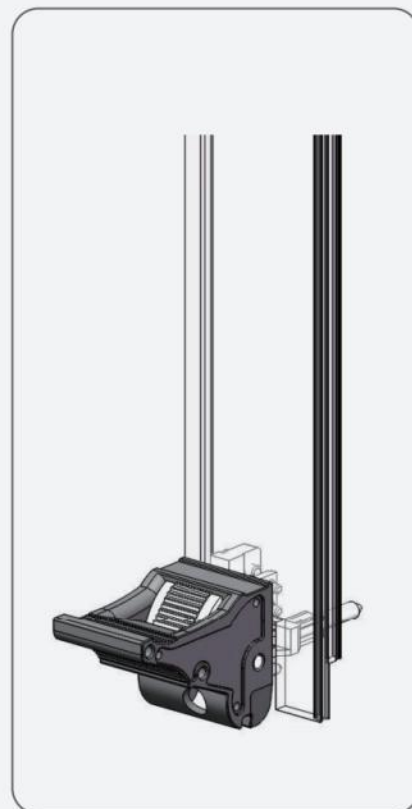
Product description

- Suitable for flat panel/U-shaped panel
- For PCB board insertion and extraction
- Use with front rails with square hole
- Optional micro switch for hot-swapping
- Codable to realize anti-insertion function
- Compliant with IEEE1101.10 standard

Cut-Size



Schematic



Performance description

- High-temperature aging standard: GB/T7141-2008, 90°C, 6h
- Low temperature embrittlement standard: GB/T5470-2008, -55°C
- Fire retardant standard: UL94V-0, EN45545-2
- Fire resistance standard: EN 45545-2:2013+A1:2015(E)
- ROHS standard: 2011/65/EU

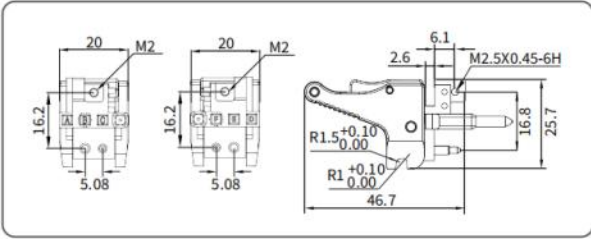
Material and finish

- Plastic: PC+20% GF, zinc alloy nickel plated
- Plastic: PC+20% GF, zinc alloy nickel plated

Handle



T17 Handle



Order information

Order no	Name	Model	color
1002513	Handle	T17 (Top)	Black
1002514	Handle	T17 (Bottom)	Black

Product description

- Suitable for flat panel/U-shaped panel
- For PCB board insertion and extraction
- Used in conjunction with square hole front beam/J-shaped front beam
- Optional micro switch for hot-swapping
- Codable to realize anti-insertion function
- Compliant with IEEE1101.10 standard

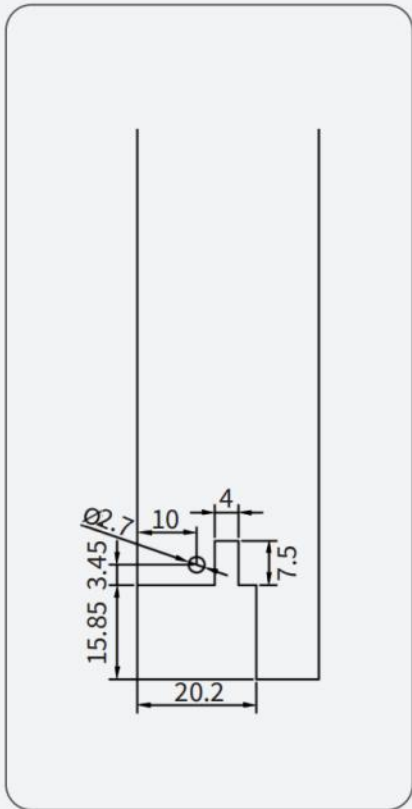
Performance description

- Durable and corrosion-resistant, extending lifespan, anti-aging, and improving reliability
- Powder metallurgy technology ensures high precision and high quality
- Satisfy high-strength insertion and extraction torque
- Stable insertion and removal, reducing failures, and improving performance
- Reduce maintenance costs, achieve high recycling rates, and promote environmental protection
- ROHS standard: 2011/65/EU

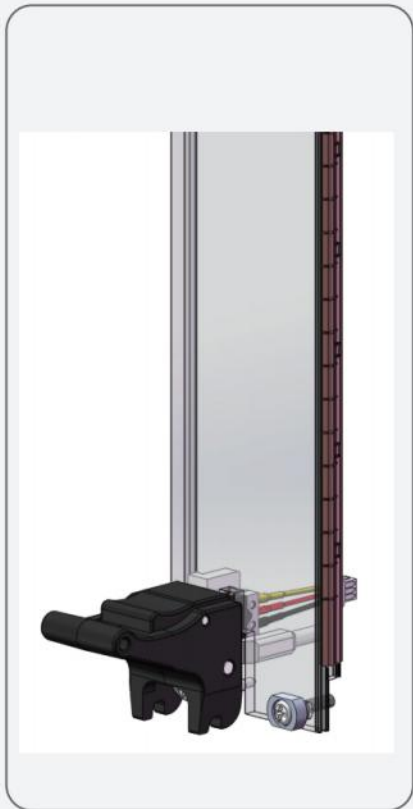
Material and finish

- 316 stainless steel (powder metallurgy+ sandblasting polishing); Zinc alloy nickel plating

Cut-Size



Schematic

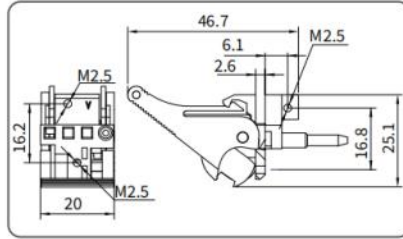


Order no. and page Table	Panel component	Subracks Accessories	IN-S Series Subracks	INTEGRATED side panel series subracks	Type A Series Subracks	CASE Series Subracks	Protective Series Subracks	VERO Series Subracks	Shielded plug-in units Series Subracks	SINCF Series Subracks	19" CUR Series Subracks	Guide rail specification and accessories	Handle specification and accessories	BEM&BEG PRO Series Subracks	EK&BEG+ PRO Series Subracks	EK&BEG PRO Series Subracks
--------------------------	-----------------	----------------------	----------------------	---------------------------------------	------------------------	----------------------	----------------------------	----------------------	--	-----------------------	-------------------------	--	--------------------------------------	-----------------------------	-----------------------------	----------------------------

Handle



T46 Handle

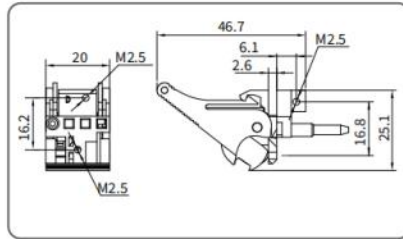


Order information

Order no	Name	Model	Color	Colour code
1002326	Handle	T46(Top)	Black	RAL9011
1002056	Handle	T46(Bottom)	Black	RAL9011
1002414	Handle	T46(Top)	Grey	RAL7035
1002415	Handle	T46(Bottom)	Grey	RAL7035



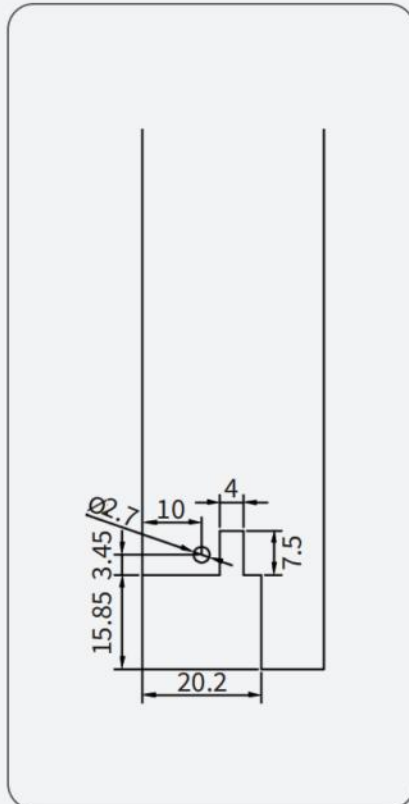
T46 Handle



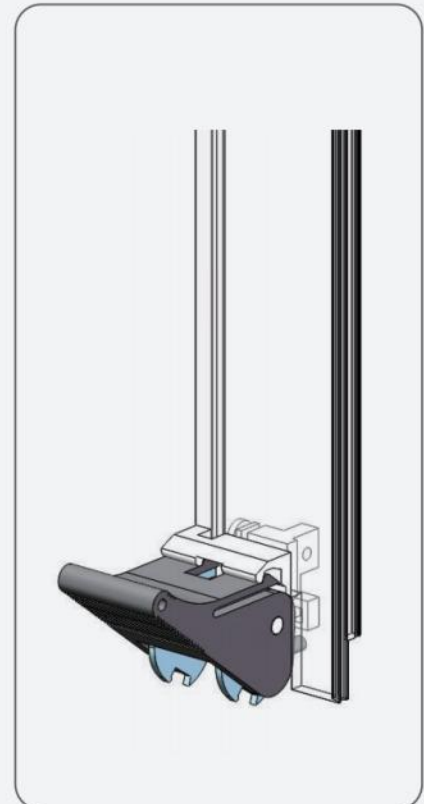
Product description

- Suitable for flat panel/U-shaped panel
- For PCB board insertion and extraction
- Use with front rails with square hole
- Optional micro switch for hot-swapping
- Codable to realize anti-insertion function
- Compliant with IEEE1101.10 standard

Cut-Size



Schematic



Performance description

- High-temperature aging standard: GB/T7141-2008, 90°C, 6h
- Low temperature embrittlement standard: GB/T5470-2008, -55°C
- Fire retardant standard: UL94V-0, EN45545-2
- Fire resistance standard: EN 45545-2:2013+A1:2015(E)
- ROHS standard: 2011/65/EU

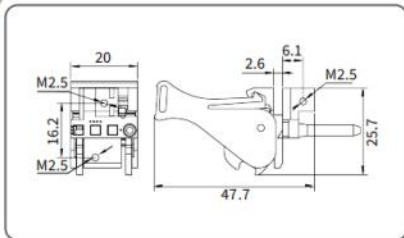
Material and finish

- PC+20% GF; zinc alloy nickel plated
- PC+20% GF; zinc alloy nickel plated

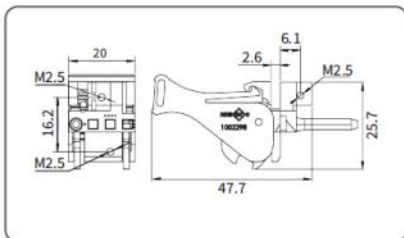
Handle



T47 Handle



T47 Handle



Order information

Order no	Name	Model	Color	Colour code
1002327	Handle	T47 (Top)	Yellow Handle	RGB (251,197,0)
1002328	Handle	T47 (Bottom)	Yellow Handle	RGB (251,197,0)
1002331	Handle	T47 (Top)	Green Handle	RGB (0,255,0)
1002332	Handle	T47 (Bottom)	Green Handle	RGB (0,255,0)
1002335	Handle	T47 (Top)	Blue Handle	RGB (35,41,108)
1002336	Handle	T47 (Bottom)	Blue Handle	RGB (35,41,108)

Product description

- Suitable for flat panel/U-shaped panel
- For PCB board insertion and extraction
- Use with front rails with square hole
- Optional micro switch for hot-swapping
- Codable to realize anti-insertion function
- Compliant with IEEE1101.10 standard

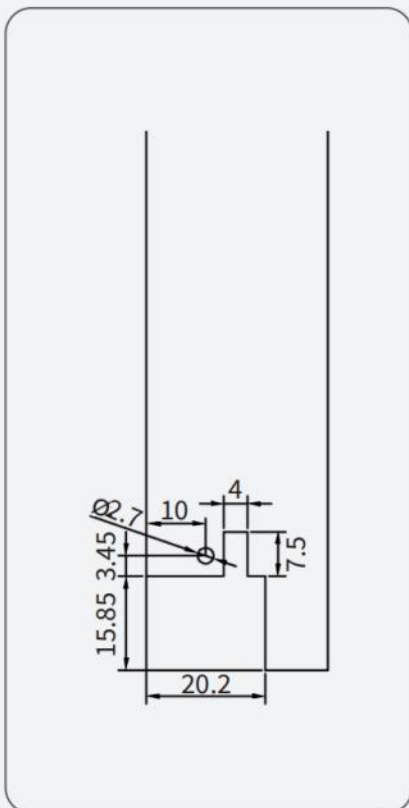
Performance description

- High-temperature aging standard: GB/T7141-2008, 90°C, 6h
- Low temperature embrittlement standard: GB/T5470-2008, -55°C
- Fire retardant standard: UL94V-0, EN45545-2
- Fire resistance standard: EN 45545-2:2013+A1:2015(E)
- ROHS standard: 2011/65/EU

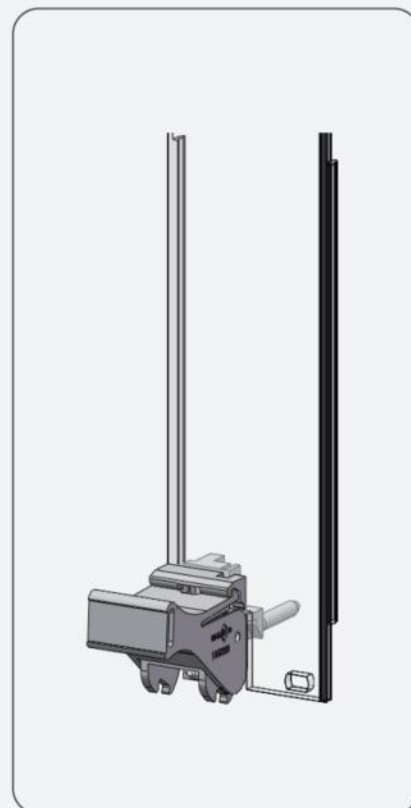
Material and finish

- PC+20% GF; zinc alloy nickel plated
- PC+20% GF; zinc alloy nickel plated

Cut-Size



Schematic



EM&EG PRO Series Subracks
 EK+EM&EG+ PRO Series Subracks
 BE&M&EG PRO Series Subracks
 Handle specification and accessories
 Guide rail specification and accessories
 19" CUR Series Subracks
 SNCF Series Subracks
 Shielded plug-in units Series Subracks
 VERO Series Subracks
 Protective Series Subracks
 CASE Series Subracks
 Type A Series Subracks
 Integrated slide panels series subracks
 IN-S Series Subracks
 Subracks Accessories
 Panel component
 Order no. and page Table

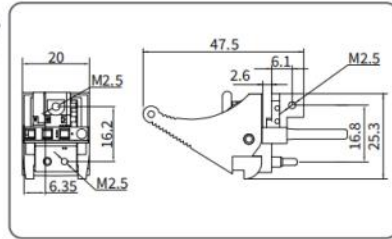
Static handle specification



Handle offset 0.1"



T01/T02 Offset Handle

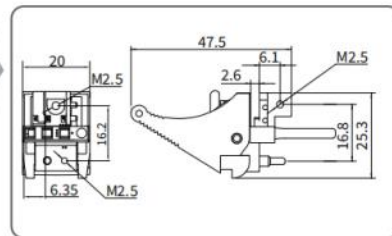


Order information

Order no	Name	Model	Color	Colour code
1002386	Handle	T01 Offset (Top)	Black handle+red button	RAL9011+RAL3031
1002387	Handle	T01 Offset (Bottom)	Black handle+red button	RAL9011+RAL3031
1002388	Handle	T01 Offset (Top)	Grey handle+red button	RAL7035+RAL3031
1002389	Handle	T01 Offset (Bottom)	Grey handle+red button	RAL7035+RAL3031



T01/T02 Offset Handle



Order no	Name	Model	Color	Colour code
1002390	Handle	T02 Offset (Top)	Black handle+dark red button	RAL9011+RAL3007
1002391	Handle	T02 Offset (Bottom)	Black handle+dark red button	RAL9011+RAL3007
1002392	Handle	T02 Offset (Top)	Grey handle+dark red button	RAL7035+RAL3007
1002393	Handle	T02 Offset (Bottom)	Grey handle+dark red button	RAL7035+RAL3007

Product description

- Suitable for flat panel/U-shaped panel
- For PCB board insertion and extraction
- Use with front rail with square hole
- Optional micro switch for hot-swapping
- Codable to realize anti-insertion function
- Offset 2.54 to the right for power card panels
- Compliant with IEEE1101.10 standard

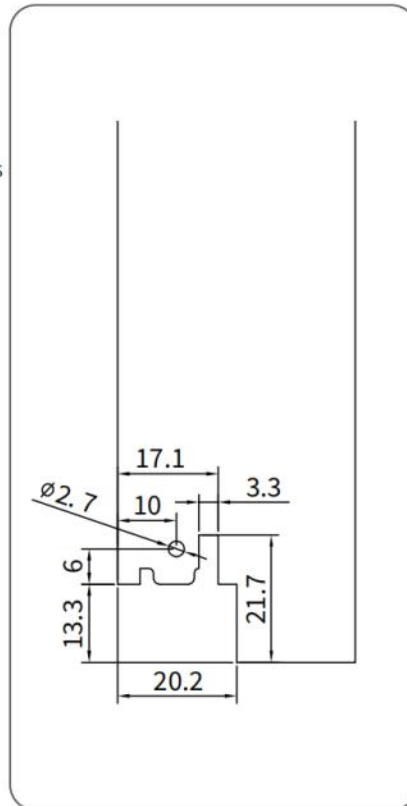
Performance description

- High-temperature aging standard: GB/T7141-2008, 90°C, 6h
- Low temperature embrittlement standard: GB/T5470-2008, -55°C
- Fire retardant standard: UL94V-0, EN45545-2
- Fire resistance standard: EN 45545-2:2013+A1:2015(E)
- ROHS standard: 2011/65/EU

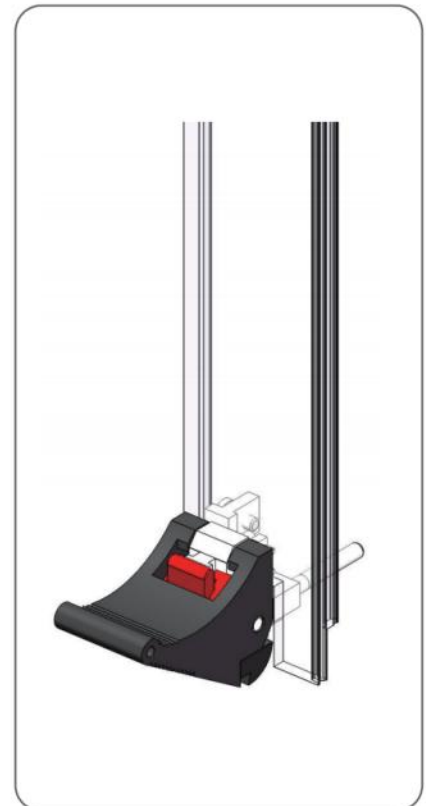
Material and finish

- PC+20% GF; zinc alloy nickel plated
- PC+20% GF; zinc alloy nickel plated

Cut-Size



Schematic

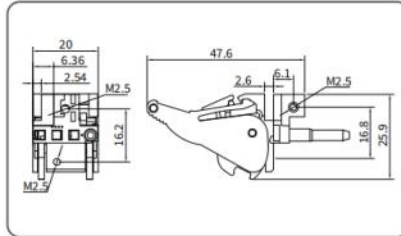


Static handle specification

Handle offset 0.1"



T04 Offset handle

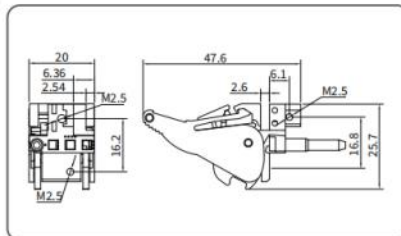


Order information

Order no	Name	Model	Color	Colour code
1002026	Handle	T04 Offset(Top)	Black handle+red button	RAL9011+RAL3031
1002027	Handle	T04 Offset(Bottom)	Black handle+red button	RAL9011+RAL3031



T04 Offset handle



Order no	Name	Model	Color	Colour code
1002382	Handle	T04 Offset (Top)	Grey handle+red button	RAL7035+RAL3031
1002383	Handle	T04 Offset (Bottom)	Grey handle+red button	RAL7035+RAL3031

Product description

- Suitable for flat panel/U-shaped panel
- For PCB board insertion and extraction
- Use with front rail with square hole
- Optional micro switch for hot-swapping
- Codable to realize anti-insertion function
- Offset 2.54 to the right for power card panels
- Compliant with IEEE1101.10 standard

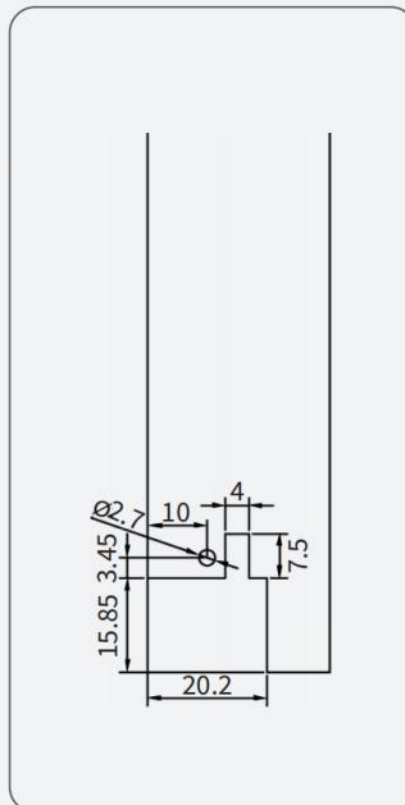
Performance description

- High-temperature aging standard: GB/T7141-2008,,90°C, 6h
- Low temperature embrittlement standard: GB/T5470-2008, -55°C
- Fire retardant standard: UL94V-0, EN45545-2
- Fire resistance standard: EN 45545-2:2013+A1:2015(E)
- ROHS standard: 2011/65/EU

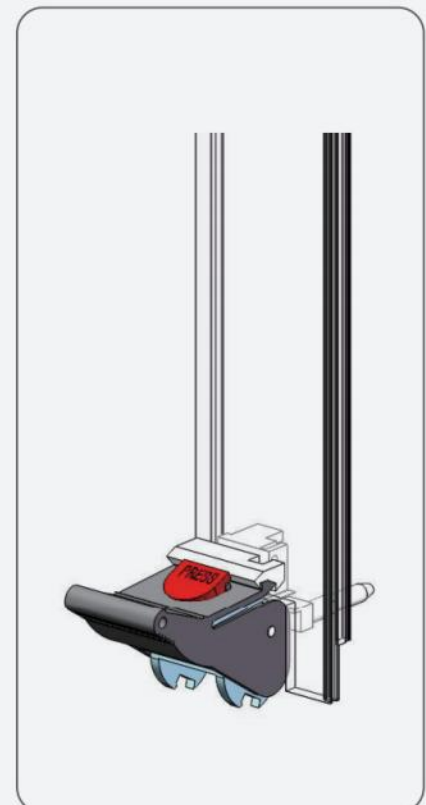
Material and finish

- PC+20% GF; zinc alloy nickel plated

Cut-Size



Schematic



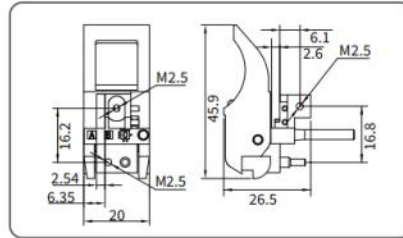
EK&EG PRO Series Subracks
EK+MEG+ PRO Series Subracks
BEK&BEG PRO Series Subracks
Handle specification and accessories
Guide rail specification and accessories
19" CUR Series Subracks
SNCF Series Subracks
Shielded plug-in units Series Subracks
VERO Series Subracks
Protective Series Subracks
CASE Series Subracks
Type A Series Subracks
Integrated slide panel series subracks
IN-S Series Subracks
Subracks Accessories
Panel component
Order no. and page Table

Static handle specification

Handle offset 0.1"



T06/T07 Offset Handle

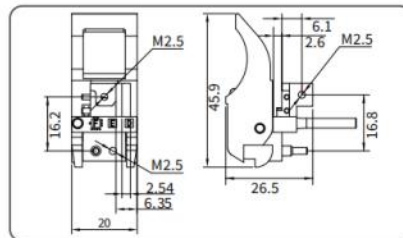


Order information

Order no	Name	Model	Color	Colour code
1002030	Handle	T06 Offset(Top)	Black handle+red button	RAL9011+RAL3031
1002031	Handle	T06 Offset(Bottom)	Black handle+red button	RAL9011+RAL3031
1002406	Handle	T06 Offset(Top)	Grey handle+red button	RAL7035+RAL3031
1002407	Handle	T06 Offset(Bottom)	Grey handle+red button	RAL7035+RAL3031



T06/T07 Offset Handle

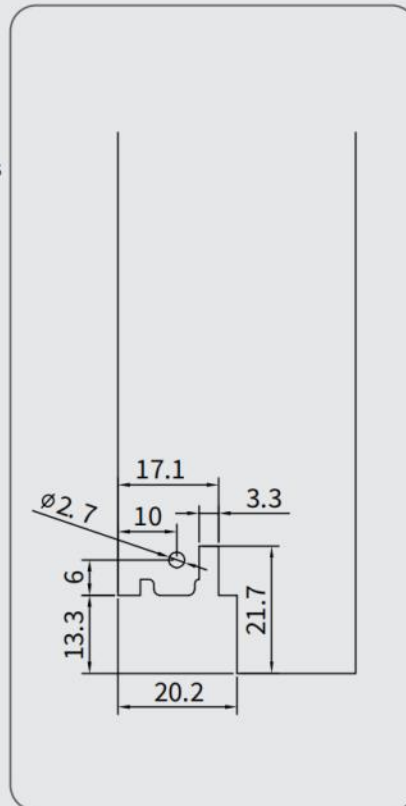


Order no	Name	Model	Color	Colour code
1002384	Handle	T07 Offset(Top)	Black handle+dark red button	RAL9011+RAL3007
1002385	Handle	T07 Offset(Bottom)	Black handle+dark red button	RAL9011+RAL3007
1002408	Handle	T07 Offset(Top)	Grey handle+dark red button	RAL7035+RAL3007
1002409	Handle	T07 Offset(Bottom)	Grey handle+dark red button	RAL7035+RAL3007

Product description

- Suitable for flat panel/U-shaped panel
- For PCB board insertion and extraction
- Use with front rail with square hole
- Optional micro switch for hot-swapping
- Codable to realize anti-insertion function
- Offset 2.54 to the right for power card panels
- Compliant with IEEE1101.10 standard

Cut-Size



Schematic



Performance description

- High-temperature aging standard: GB/T7141-2008,,90°C, 6h
- Low temperature embrittlement standard: GB/T5470-2008, -55°C
- Fire retardant standard: UL94V-0, EN45545-2
- Fire resistance standard: EN 45545-2:2013+A1:2015(E)
- ROHS standard: 2011/65/EU

Material and finish

- PC+20% GF; zinc alloy nickel plated
- PC+20% GF; zinc alloy nickel plated

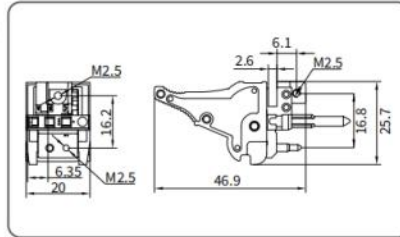
Static handle specification



Handle offset 0.1"



T08 Offset Handle

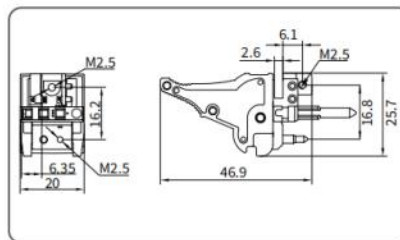


Order information

Order no	Name	Model	Color	Colour code
1002396	Handle	T08 Offset(Top)	Black handle+grey button	RAL9011+RAL7035
1002397	Handle	T08 Offset(Bottom)	Black handle+grey button	RAL9011+RAL7035
1002394	Handle	T08 Offset(Top)	Black handle+red button	RAL9011+RAL3031
1002395	Handle	T08 Offset(Bottom)	Black handle+red button	RAL9011+RAL3031



T19 Offset Handle



Order no	Name	Model	color	Colour code
1002416	Handle	T19 Offset(Top)	Grey handle+Black button	RAL7035+RAL9011
1002417	Handle	T19 Offset(Bottom)	Grey handle+Black button	RAL7035+RAL9011

Product description

- Suitable for flat panel/U-shaped panel
- For PCB board insertion and extraction
- Use with front rail with square hole
- Optional micro switch for hot-swapping
- Codable to realize anti-insertion function
- Offset 2.54 to the right for power card panels
- Compliant with IEEE1101.10 standard

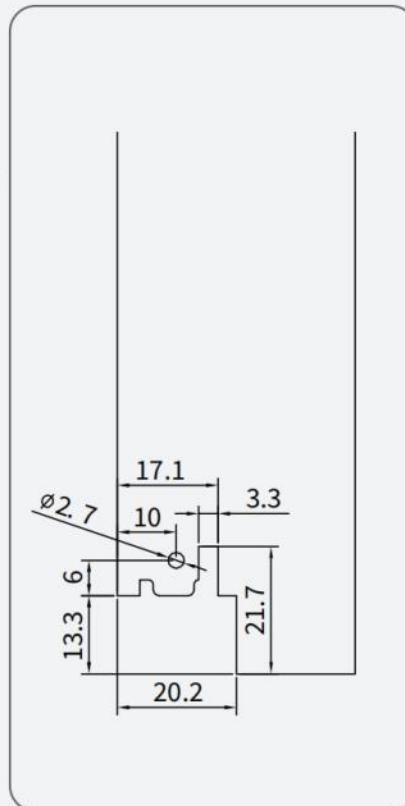
Performance description

- High-temperature aging standard: GB/T7141-2008,,90°C, 6h
- Low temperature embrittlement standard: GB/T5470-2008, -55°C
- Fire retardant standard: UL94V-0, EN45545-2
- Fire resistance standard: EN 45545-2:2013+A1:2015(E)
- ROHS standard: 2011/65/EU

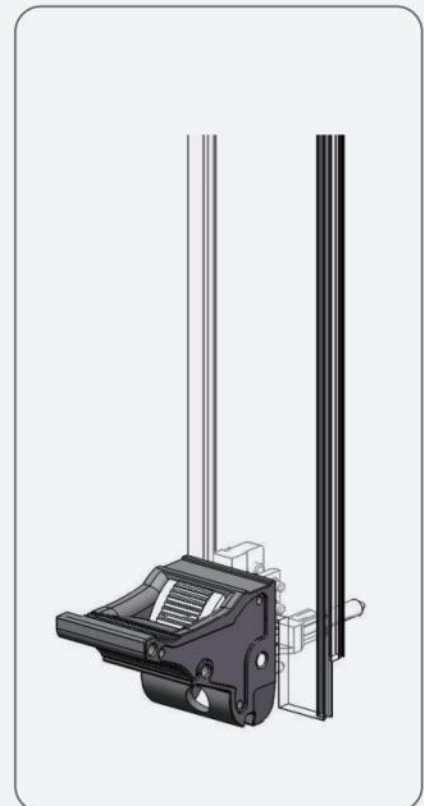
Material and finish

- PC+20% GF; zinc alloy nickel plated
- PC+20% GF; zinc alloy nickel plated

Cut-Size



Schematic



EK&EG PRO Series Subracks
 EK+MEG+PRO Series Subracks
 BEK&BEG PRO Series Subracks
 Handle specification and accessories
 Guide rail specification and accessories
 19"CUR Series Subracks
 SNCF Series Subracks
 Shielded plug-in units Series Subracks
 VERO Series Subracks
 Protective Series Subracks
 CASE Series Subracks
 Type A Series Subracks
 Integrated slot panels series subracks
 IN-S Series Subracks
 Subracks Accessories
 Panel component
 Order no. and page Table

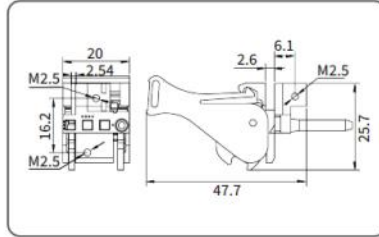
Static handle specification



Handle offset 0.1"



T47 Offset handle

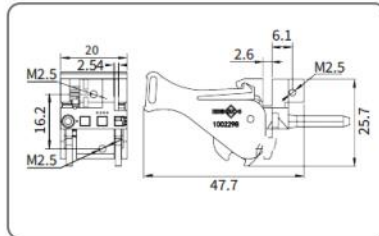


Order information

Order no	Name	Model	Color	Colour code
1002329	Handle T47Offset (Top)		Yellow Handle	RGB (251,197,0)
1002330	Handle T47Offset (Bottom)		Yellow Handle	RGB (251,197,0)
1002333	Handle T47Offset (Top)		Green Handle	RGB (0,255,0)
1002334	Handle T47Offset (Bottom)		Green Handle	RGB (0,255,0)
1002337	Handle T47Offset (Top)		Blue Handle	RGB (35,41,108)
1002338	Handle T47Offset (Bottom)		Blue Handle	RGB (35,41,108)



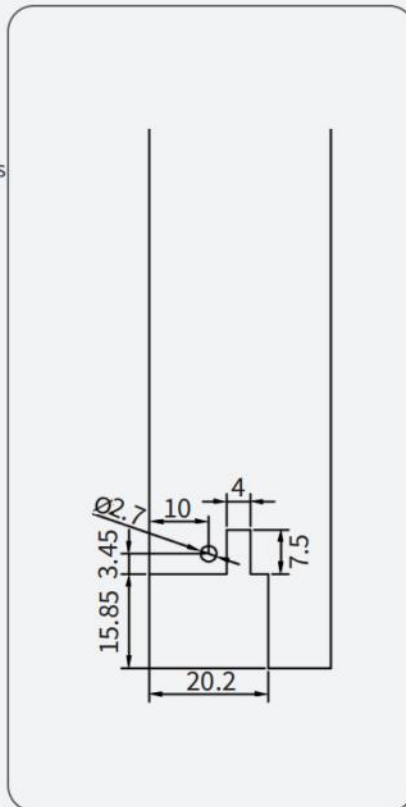
T47 Offset handle



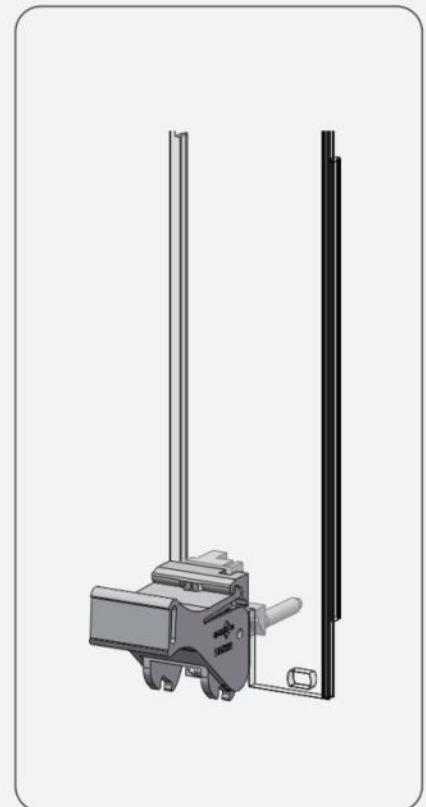
Product description

- Suitable for flat panel/U-shaped panel
- For PCB board insertion and extraction
- Use with front rail with square hole
- Optional micro switch for hot-swapping
- Codable to realize anti-insertion function
- Offset 2.54 to the right for power card panels
- Compliant with IEEE1101.10 standard

Cut-Size



Schematic



Performance description

- High-temperature aging standard: GB/T7141-2008, 90°C, 6h
- Low temperature embrittlement standard: GB/T5470-2008, -55°C
- Fire retardant standard: UL94V-0, EN45545-2
- Fire resistance standard: EN 45545-2:2013+A1:2015(E)
- ROHS standard: 2011/65/EU

Material and finish

- PC+20% GF; zinc alloy nickel plated

Handle



F03 Handle



F03 Handle



IV Handle



IV Handle

Product description

- Suitable for flat panel/U-shaped panel
- For PCB board insertion and extraction
- Compliant with IEEE1101.10 standard

Performance description

- High-temperature aging standard: GB/T7141-2008,,90°C, 6h
- Low temperature embrittlement standard: GB/T5470-2008, -55°C
- Fire retardant standard: UL94V-0, EN45545-2
- Fire resistance standard: EN 45545-2:2013+A1:2015(E)
- ROHS standard: 2011/65/EU

Material and finish

Plastic: PC+20% GF; zinc alloy nickel plated

Order information

Order no	Name	Model	Color	Colour code
1002061	Handle	F03(上)	Black	RAL9011
1002061	Handle	F03(下)	Black	RAL9011
1002062	Handle	F03(上)	Grey	RAL7035
1002062	Handle	F03(下)	Grey	RAL7035

Product description

- Suitable for flat panel/U-shaped panel
- For PCB board insertion and extraction
- For use with front rail with square holes
- Compliant with IEEE1101.10 standard

Performance description

- High-temperature aging standard: GB/T7141-2008,,90°C, 6h
- Low temperature embrittlement standard: GB/T5470-2008, -55°C
- Fire retardant standard: UL94V-0, EN45545-2
- Fire resistance standard: EN 45545-2:2013+A1:2015(E)
- ROHS standard: 2011/65/EU

Material and finish

Plastic: PC+20% GF; zinc alloy nickel plated

Order information

Order no	Name	Model	Color	Colour code
1002428	Handle	IV Type(Top)	Black	RAL9011
1002429	Handle	IV Type(Bottom)	Black	RAL9011
1002430	Handle	IV Type(Top)	Grey	RAL7035
1002431	Handle	IV Type(Bottom)	Grey	RAL7035

EK&EG PRO Series Subtracks

EK+&EG+PRO Series Subtracks

BEK&BEG PRO Series Subtracks

Handle specification and accessories

Guide-rail specification and accessories

19"CUR Series Subtracks

SNCF Series Subtracks

Shielded plug-in units Series Subtracks

VERO Series Subtracks

Protective Series Subtracks

CASE Series Subtracks

Type A Series Subtracks

Integrated side-panel series subtracks

IN-S Series Subtracks

Subtracks Accessories

Panel component

Order no. and page table

Handle



T11 Handle



T11 Handle

Product description

- Suitable for flat panel/U-shaped panel
- For PCB board insertion and extraction
- Optional micro switch for hot-swapping
- Compliant with IEEE1101.10 standard
- There are two specifications: standard model and offset of 0.1 inch

Performance description

- High-temperature aging standard: GB/T7141-2008,,90°C, 6h
- Low temperature embrittlement standard: GB/T5470-2008, -55°C
- Fire retardant standard: UL94V-0, EN45545-2
- Fire resistance standard: EN 45545-2:2013+A1:2015(E)
- ROHS standard: 2011/65/EU

Material and finish

Plastic: PC+20% GF; zinc alloy nickel plated

Order information

Order no	Name	Model	Color	Colour code
1002044	Handle	T11(Top)	Black handle+Grey button	RAL9011+RAL7035
1002045	Handle	T11(Bottom)	Black handle+Grey button	RAL9011+RAL7035
1002046	Handle	T11(Top)	Grey handle+Black button	RAL7035+RAL9011
1002047	Handle	T11(Bottom)	Grey handle+Black button	RAL7035+RAL9011
1002440	Offset Handle	T11(Top)	Grey handle+Black button	RAL7035+RAL9011
1002441	Offset Handle	T11(Bottom)	Grey handle+Black button	RAL7035+RAL9011
1002442	Offset Handle	T11(Top)	Black handle+Grey button	RAL9011+RAL7035
1002443	Offset Handle	T11(Bottom)	Black handle+Grey button	RAL9011+RAL7035

Handle



T14 Handle



T10 Handle

Product description

- Mostly used in telecom field
- For plugging and unplugging of high-density connectors
- Optional microswitch for hot-swapping
- For use with square-hole front rails
- Minimal space requirements through fold-up handle

Performance description

- High-temperature aging standard: GB/T7141-2008,,90°C, 6h
- Low temperature embrittlement standard: GB/T5470-2008, -55°C
- Fire retardant standard: UL94V-0, EN45545-2
- Fire resistance standard: EN 45545-2:2013+A1:2015(E)
- ROHS standard: 2011/65/EU

Material and finish

Zinc alloy nickel plated

Order information

Order no	Name	Model	Color	Colour code
1002422	Handle	T14 (Top)	Natural color	-
1002423	Handle	T14 (Bottom)	Natural color	-

Product description

- For flat panel/U-shaped panel
- For PCB board insertion and extraction
- Compliant with IEEE1101.10 standard

Performance description

- High-temperature aging standard: GB/T7141-2008,,90°C, 6h
- Low temperature embrittlement standard: GB/T5470-2008, -55°C
- Fire retardant standard: UL94V-0, EN45545-2
- Fire resistance standard: EN 45545-2:2013+A1:2015(E)
- ROHS standard: 2011/65/EU

Material and finish

Zinc alloy nickel plated

Order information

Order no	Name	Model	Color	Colour code
1002042	Handle	T10 (Top)	Natural color	-
1002043	Handle	T10 (Bottom)	Natural color	-

EK&EG PRO
Series Subtracks

EK+REG+PRO
Series Subtracks

BEK&BEG PRO
Series Subtracks

Handle
specification
and accessories

Guide rail
specification
and accessories

19"CUR
Series Subtracks

SNCF
Series Subtracks

Shielded
plug-in units
Series Subtracks

VERO
Series Subtracks

Protective
Series Subtracks

CASE
Series Subtracks

Type A
Series Subtracks

Integrated
side panel
series subtracks

IN-S
Series Subtracks

Subtracks
Accessories

Panel
component

Order no.
and page Table

Handle



T15 Handle



T16 Handle

Product description

- For flat panel/U-shaped panel
- For PCB board insertion and extraction
- Compliant with IEEE1101.10 standard

Performance description

- High-temperature aging standard: GB/T7141-2008,,90°C, 6h
- Low temperature embrittlement standard: GB/T5470-2008, -55°C
- Fire retardant standard: UL94V-0, EN45545-2
- Fire resistance standard: EN 45545-2:2013+A1:2015(E)
- ROHS standard: 2011/65/EU

Material and finish

Plastic: PC+20% GF; zinc alloy nickel plated

Order information

Order no	Name	Model	Color	Colour code
1002424	Handle	T15 (Top)	Black	RAL9011
1002425	Handle	T15 (Bottom)	Black	RAL9011
1002426	Handle	T15 (Top)	Grey	RAL7035
1002427	Handle	T15 (Bottom)	Grey	RAL7035

Product description

- Suitable for flat panel/U-shaped panel
- For PCB board insertion and extraction
- Optional micro switch for hot-swapping
- Compliant with IEEE1101.10 standard

Performance description

- High-temperature aging standard: GB/T7141-2008,,90°C, 6h
- Low temperature embrittlement standard: GB/T5470-2008, -55°C
- Fire retardant standard: UL94V-0, EN45545-2
- Fire resistance standard: EN 45545-2:2013+A1:2015(E)
- ROHS standard: 2011/65/EU

Material and finish

Plastic: PC+20% GF; zinc alloy nickel plated

Order information

Order no	Name	Model	Color	Colour code
1002432	Handle	T16 (Top)	Black handle+Aluminum button	RAL9011+Natural color
1002433	Handle	T16 (Bottom)	Black handle+Aluminum button	RAL9011+Natural color
1002434	Handle	T16 (Top)	Grey handle+Aluminum button	RAL7035+Natural color
1002435	Handle	T16 (Bottom)	Grey handle+Aluminum button	RAL7035+Natural color

Static handle specification

Handle Accessories



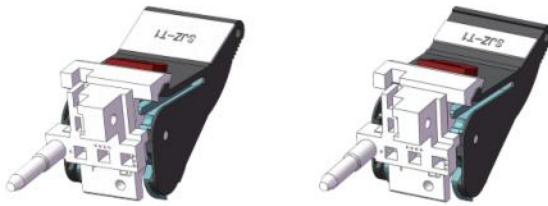
Label
Label
Label

Handle Label

- Encoding and naming for the front panel
- Installed on the handle of the extractor, T-series extractor and I-series extractor
- Material: PVC
- Surface frosted or smooth surface
- Customers can customize coding and colors

Delivery Comprises

Handle Note	Length mm	Width mm	Thickness mm	Pieces/Package
Type I Handle	20	12	0.5	20
T01/T02 Handle	20	6	0.5	20
T04 Handle	20	6	0.5	20
T04 Handle	20	11	0.5	20
T06/T07 Handle	20	11	0.5	20
T08/T19 Handle	20	5.3	0.5	20



Schematic diagram of T04 handle label



Schematic diagram of T01/T02 handle label

Schematic diagram of T08/T19 handle label



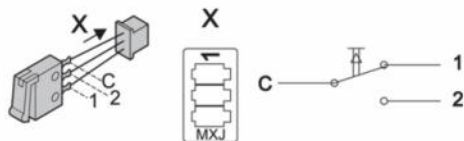
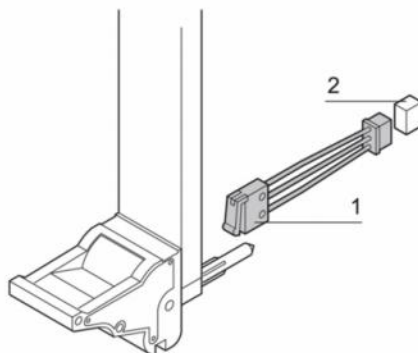
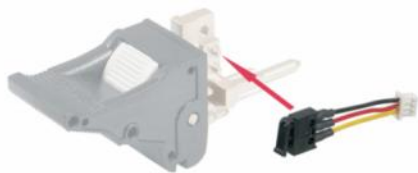
Schematic diagram of T06/T07 handle label



Schematic diagram of type I handle label

EK&EG PRO Series Subracks
EK+EG+PRO Series Subracks
BEK&BEG PRO Series Subracks
Handle specification and accessories
Guide rail specification and accessories
19" CUR Series Subracks
SNCF Series Subracks
Shielded plug-in units Series Subracks
VERO Series Subracks
Protective Series Subracks
CASE Series Subracks
Type A Series Subracks
Integrated side panel series subracks
IN-S Series Subracks
Subracks Accessories
Panel component
Order no. and page Table

Handle Accessories



Micro switch

Micro switch

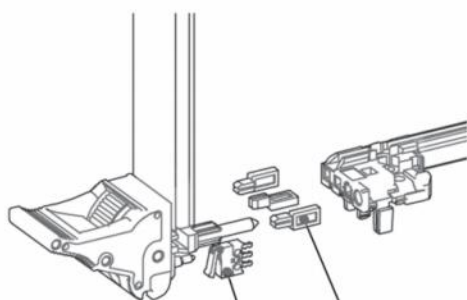
- For hot swapping, can be installed in F-type, T-type handle
- Handle fixing screw M2.5×6

Order information

Description	Order no
Micro switch (Including microswitch and cable)	1031020

Technical specification

Max.switched current	> =50mA
Operating temperature	-25~70°C
Mechanical life	> =50000 switching cycles
Electrical life	> =20000 switching cycles
Molex connector housing	51021-0300
Molex crimp contact	50058-8000



Micro switch Coding peg

Coding peg

Coding peg

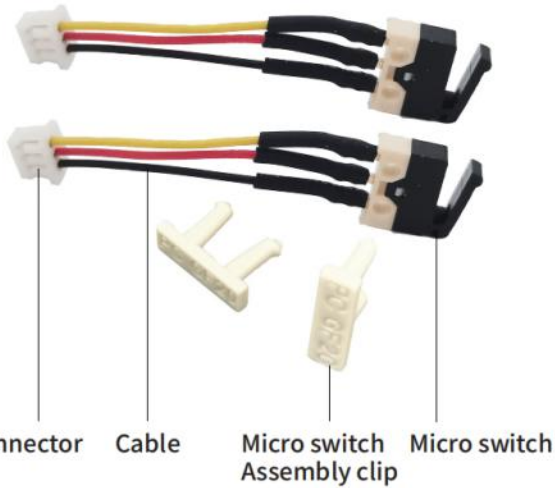
- The coding peg is mounted in the coding peg mounting hole of the extractor handle
- CompactPCI/VME64x applications

Order information

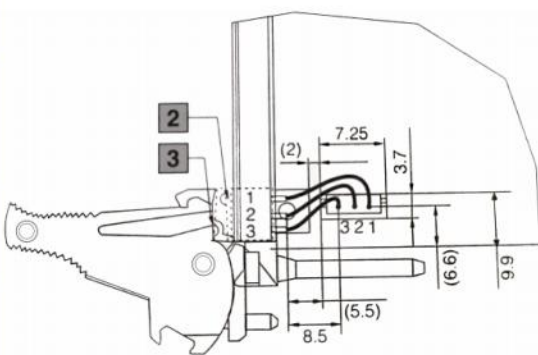
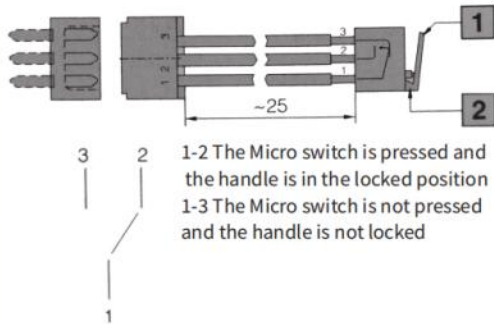
Description	Order no
Coding peg, PC,UL 94 V-0,Grey,RAL 7035	1009010
Coding peg, PC,UL 94 V-0,Red,RAL 3020	1009011

EK&EG PRO Series Subracks
EK+EG+PRO Series Subracks
BEM&BEG PRO Series Subracks
Handle specification and accessories
Guide-rail specification and accessories
19" CUR Series Subracks
SNCF Series Subracks
Shielded plug-in units Series Subracks
VERO Series Subracks
Protective Series Subracks
CASE Series Subracks
Type A Series Subracks
Integrated side-panel series subracks
IN-S Series Subracks
Subracks Accessories
Panel component
Order no. and page Table

Handle Accessories



- 1 The handle is not pressed
- 2 The handle hinges
- 3 The handle contact



Micro switch

- For hot swapping
- Can be installed in F-type, T-type handle
- Micro switch fixing clips are only used in the T04 handle
- Material: PC+20%GF

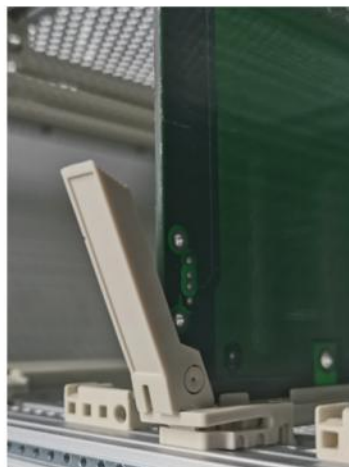
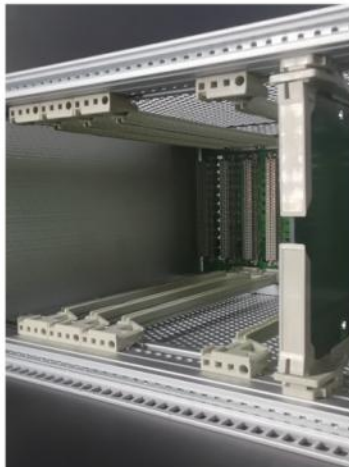
Delivery Comprises(kit)

Name	Qty	Description
Micro switch	1	For hot swapping
Micro switch assembly clip	1	Fix the micro switch on the handle
Cable	3	Cables connecting circuits
Connector	1	Connection circuit

Order information

Order no	Name	Color	Colour code
1031020	Micro switch	Black	RAL9011
1031023	Micro switch assembly clip	Grey	RAL7032

Printed board handle



Product description

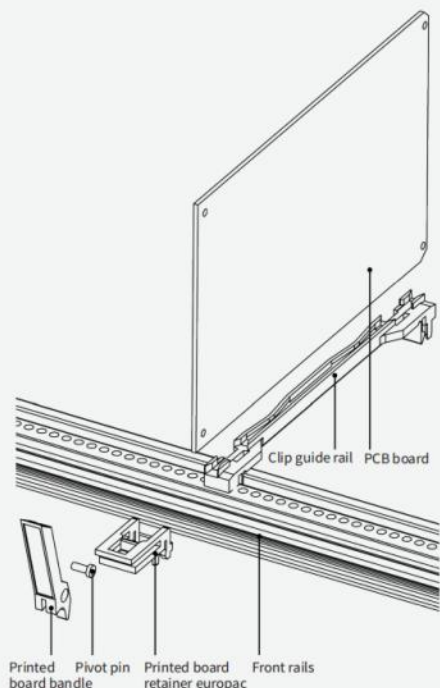
- Can be used to fix PCB boards without front panel
- Can be installed in the upper and lower rails of the subrack
- Can only be used with card holder and card guide, minimum distance between guides is 3HP
- Can be labeled or screen printed
- The bottom part can also be used separately as a fixed protection for plug-in cards

Performance description

- High-temperature aging standard: GB/T7141-2008, 90°C, 6h
- Low temperature embrittlement standard: GB/T5470-2008, -55°C
- Fire retardant standard: UL94V-0, EN45545-2
- Fire resistance standard: EN 45545-2:2013+A1:2015(E)
- ROHS standard: 2011/65/EU

Material and finish

- PC+20% GF



Delivery Comprises(kit)

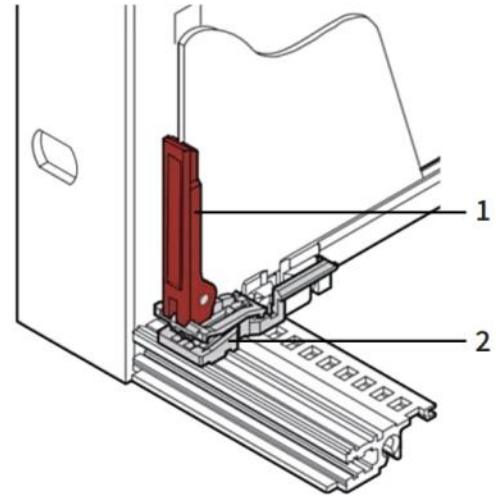
Name	3U Qty	6U Qty	Order no	Description
Printed board handle(Top)	/	1	1002249	Only use printed board handle in conjunction with printed board retainer, The front side can be silkscreened
Printed board handle(Bottom)	1	1	1002250	Only use printed board handle in conjunction with printed board retainer, The front side can be silkscreened
Pivot pin	1	2	/	Parts matched with printed board handle, PC+20%GF
Printed board retainer europac	2	2	1002309	Can also be used without printed board handle, RAL7032
Front rails	1	1	/	Used for installation of guide rail and fixing of Front panel
Clip guide rail	2	2	1001045	Used for 1.6-2.0mm thick PCB board, 160mm
Clip guide rail	2	2	1001044	Used for 1.6-2.0mm thick PCB board, 220mm

EK&EG PRO Series Subracks
EK&EG+PRO Series Subracks
BEK&BEG PRO Series Subracks
Handle specification and accessories
Guide rail specification and accessories
19" CUR Series Subracks
SNCF Series Subracks
Shielded plug-in units Series Subracks
VERO Series Subracks
Protective Series Subracks
CASE Series Subracks
Type A Series Subracks
Integrated side panel series subracks
IN-S Series Subracks
Subracks Accessories
Panel component
Order no. and page Table

C-type handle combination component

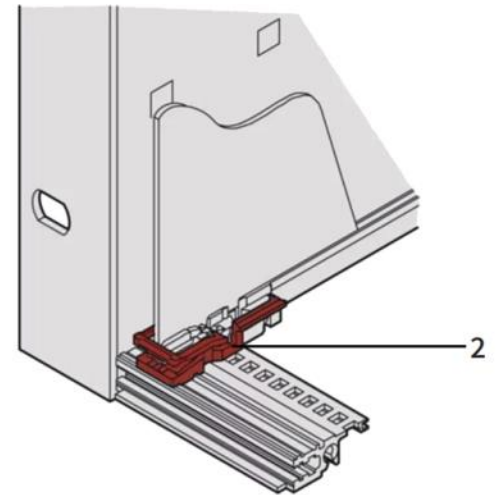
Printed Circuit Board C-Handle Assembly

- Printed circuit board C-type handle, can only be used in conjunction with PCB holder C-type
- PCB holder C-type, can be used for fixing PCB boards without front panels
- PCB holder C-type, can be installed on the upper and lower crossbeams of the subracks
- The component is only used in conjunction with B-type short end guide rails and B-type reinforced guide rails
- Can be used for BEK series chassis and BEG series subracks

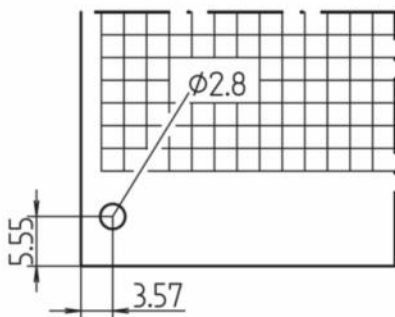
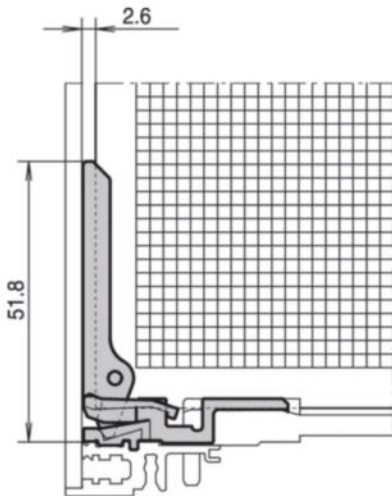


Order information

Ltem	Name	Material	Color	Order no
1	Printed circuit board C-handle	PBTP,UL94V-0	Red	1002363
2	PCB holder C-type	PPO,UL94V-0	Red	1002362



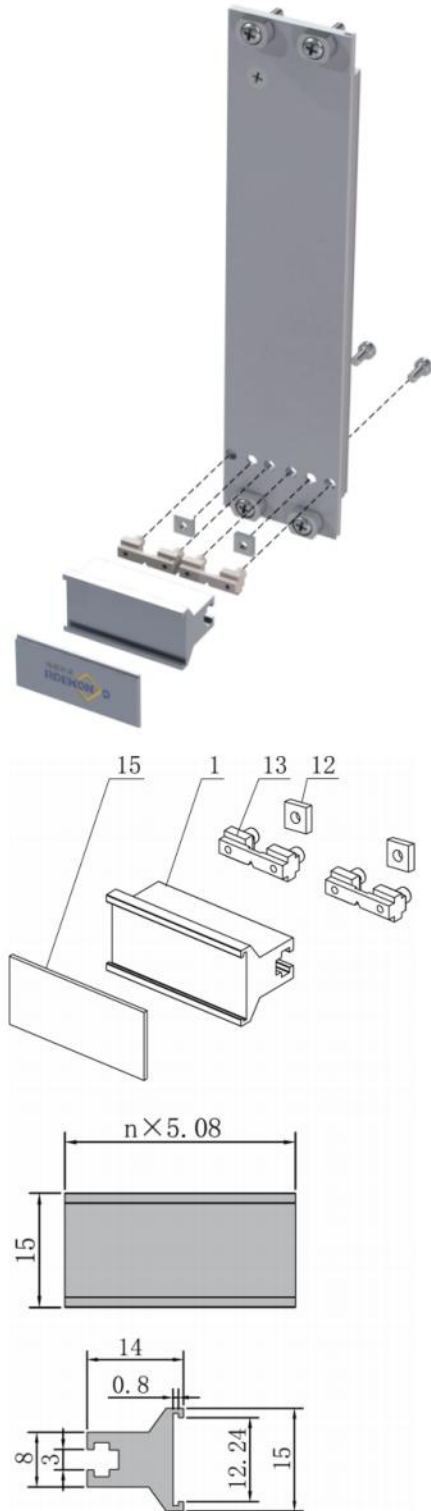
Installation dimensions



Static handle specification



V-Handle component



Note:

- V handle can only be used with PCB fixed block (1015005, 1015004), PCB bracket (1015016)
- Screw: Cross pan head M2.5 x 6

Delivery Comprises(kit)

Item	Name	Qty	Order no	Description
1	V-Handle	1	/	V-Handle,Al anodised
12	Square Nut	2	1005002	Square Nut,M2.5 Stainless steel
13	Plastic parts	2	1000066	Plastic parts, PC GF20% (7035)
15	Identification plate	1	/	Al, 1.5 mm, anodised,cut edges plain

Order information

HP Width	Square Nut Qty	Plastic parts Qty	Order no
4	1	1	04010201
5	1	1	05010201
6	2	2	06010202
7	2	2	07010202
8	2	2	08010302
9	2	2	09010303
10	2	2	10010303
11	2	2	11010303
12	2	2	12010404
13	2	2	13010404
14	2	2	14010505
15	2	2	15010505
16	2	2	16010505
17	2	2	17010606
18	2	2	18010606
19	2	2	19010606
20	2	2	20010707
21	2	2	21010707
22	2	2	22010707
23	2	2	23010808
24	2	2	24010808
25	2	2	25010808
26	2	2	26010909
27	2	2	27010909
28	2	2	28011010
1m	/	/	10017070

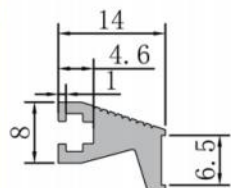
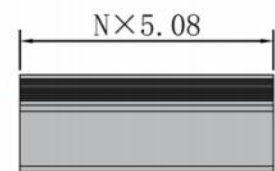
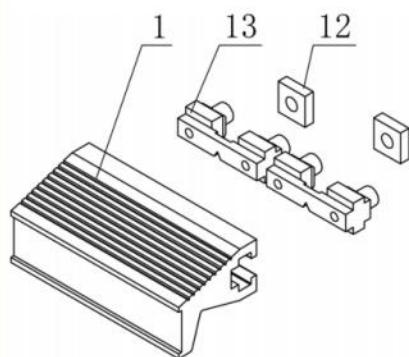
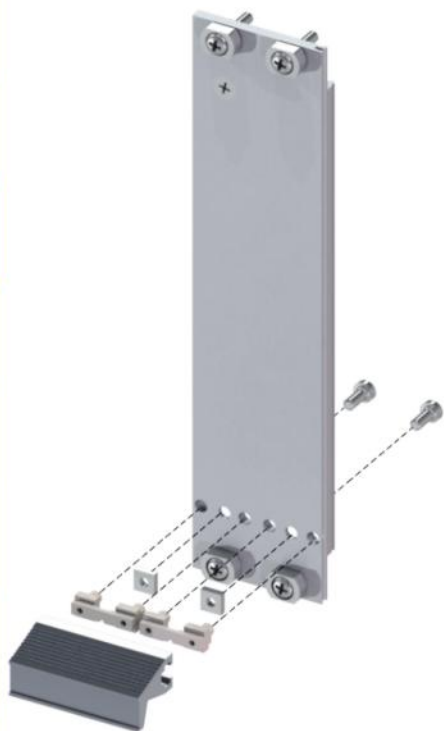
Screw Order information

Name	Qty/Up	Order no
Square Nut	1	1005002
Set screw	1	1004011
Plastic parts	1	1000066

EK&BEG PRO Series Subracks
 EK+BEK+PRO Series Subracks
 BEK&BEG PRO Series Subracks
 Handle specification and accessories
 Guide rail specification and accessories
 19" CUR Series Subracks
 SNCF Series Subracks
 Shielded plug-in units Series Subracks
 VERO Series Subracks
 Protective Series Subracks
 CASE Series Subracks
 Type A Series Subracks
 Integrated slide panels series subracks
 IN-S Series Subracks
 Subracks Accessories
 Panel component
 Order no. and page table

Static handle specification

VI-Handle component



Note:

- VI handle can only be used with PCB fixed block (1015005, 1015004), PCB bracket (1015016)
- Screw: Cross pan head M2.5 x 6

Delivery Comprises(kit)

Item	Name	Qty	Order no	Description
1	VI-handle	1	/	VI-handle,Al anodised
12	Square Nut	2	1005002	Square Nut, M2.5 Stainless steel
13	Plastic parts	2	1000066	Plastic parts, PC GF20%(7035)

Order information

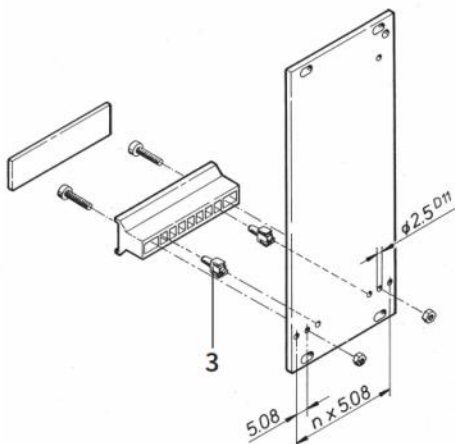
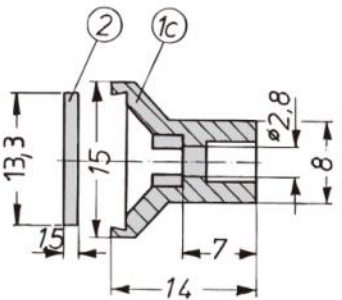
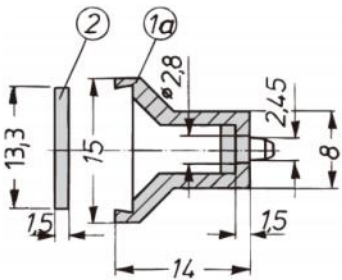
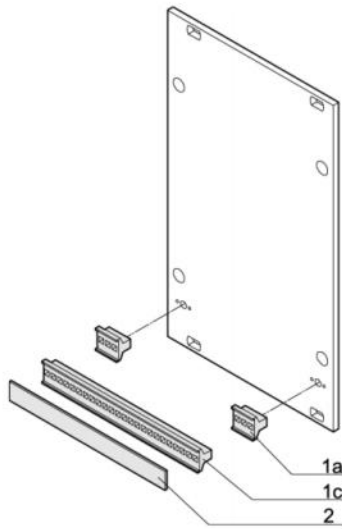
HP Width	Square Nut Qty	Plastic parts Qty	Order no
4	1	1	04020201
5	1	1	05020201
6	2	2	06020202
7	2	2	07020202
8	2	2	08020302
9	2	2	09020303
10	2	2	10020303
11	2	2	11020303
12	2	2	12020404
13	2	2	13020404
14	2	2	14020505
15	2	2	15020505
16	2	2	16020505
17	2	2	17020606
18	2	2	18020606
19	2	2	19020606
20	2	2	20020707
21	2	2	21020707
22	2	2	22020707
23	2	2	23020808
24	2	2	24020808
25	2	2	25020808
26	2	2	26020909
27	2	2	27020909
28	2	2	28021010
1m	/	/	10027070

Screw Order information

Name	Qty/Up	Order no
Square Nut	1	1005002
Set screw	1	1004011
Plastic parts	1	1000066

Static handle specification

V-shaped plastic handle B component



V-shaped plastic handle B

Delivery includes

Ltem	Name	Description
1a/1c	V-shaped plastic handle B	Fixed handle, PPE UL 94V-1, Grey or black
2	V-shaped plastic handle scutcheon	Handle label panel, aluminum, 1.5mm

Order information

Ltem	Width HP	Width mm	Order no Grey	Order no Black
1a	4	18.9	1030075	1030098
1c	5	24	1030085	1030099
1c	6	29	1030076	1030100
1c	7	34.1	1030089	1030101
1c	8	39.2	1030077	1030102
1c	10	49.4	1030086	1030103
1c	12	59.6	1030078	1030104
1c	14	69.7	1030087	1030105
1c	21	105.2	1030088	1030106

Order information

Ltem	Width HP	Order no
2	4	1025010
2	5	1030090
2	6	1030091
2	7	1030092
2	8	1030093
2	10	1030094
2	12	1030095
2	14	1030096
2	21	1030097

V-shaped plastic handle fixing pin

- Handle available for 5 HP to 21 HP
- For fixed plastic handle (1c)

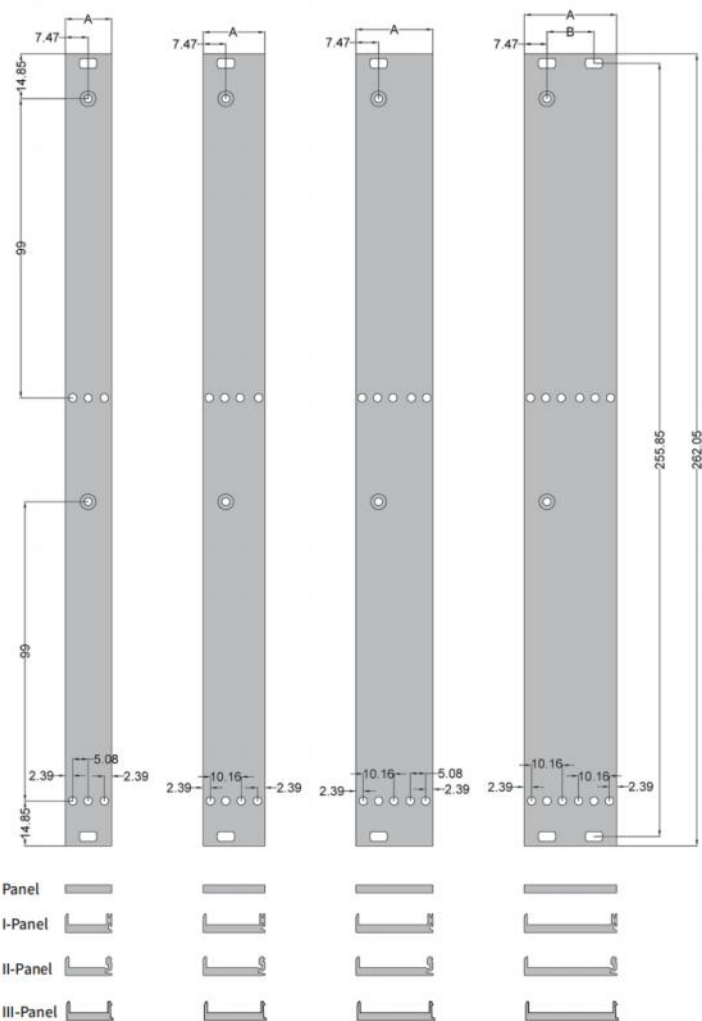
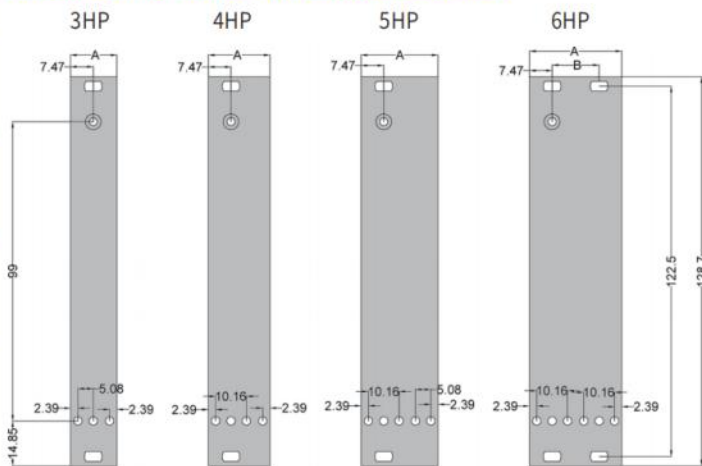
Order information

Ltem	Name	Material	Color	Order no
3	V-shaped plastic handle fixing pin	PPE,UL94-0	Black	1030083

EK&EG PRO Series Subracks
 EK+EG+ PRO Series Subracks
 BEK&BEG PRO Series Subracks
 Handle specification and accessories
 Guide rail specification and accessories
 19" CUR Series Subracks
 SNCF Series Subracks
 Shielded plug-in units Series Subracks
 VERO Series Subracks
 Protective Series Subracks
 CASE Series Subracks
 Type A Series Subracks
 Integrated slide panel series subracks
 IN-S Series Subracks
 Subracks Accessories
 Panel component
 Order no. and page Table

Panel component

V-Handle, FRONT PANELS, U PROFILES, Cut-Size



Delivery includes

Item Name	Qty	Description
5 Panel	1	Front panel (U profile), Al, front anodised, rear conductive

Panel Order information

Width HP	Amm	Bmm	3U Order no	6U Order no
3	14.9	-	00130304	00160304
4	19.98	-	00130404	00160404
5	25.06	-	00130504	00160504
6	30.14	-	00130604	00160604
7	35.22	-	00130704	00160704
8	40.3	25.4	00130804	00160804
10	50.46	35.56	00131004	00161004
12	60.62	45.72	00131204	00161204

I Panel Order information

Width HP	Amm	Bmm	3U Order no	6U Order no
3	14.9	-	00130301	00160301
4	19.98	-	00130401	00160401
5	25.06	-	00130501	00160501
6	30.14	-	00130601	00160601
7	35.22	-	00130701	00160701
8	40.3	25.4	00130801	00160801
10	50.46	35.56	00131001	00161001
12	60.62	45.72	00131201	00161201

II Panel Order information

Width HP	Amm	Bmm	3U Order no	6U Order no
3	14.9	-	00130302	00160302
4	19.98	-	00130402	00160402
5	25.06	-	00130502	00160502
6	30.14	-	00130602	00160602
7	35.22	-	00130702	00160702
8	40.3	25.4	00130802	00160802
10	50.46	35.56	00131002	00161002
12	60.62	45.72	00131202	00161202

III Panel Order information

Width HP	Amm	Bmm	3U Order no	6U Order no
3	14.9	-	00130303	00160303
4	19.98	-	00130403	00160403
5	25.06	-	00130503	00160503
6	30.14	-	00130603	00160603
7	35.22	-	00130703	00160703
8	40.3	25.4	00130803	00160803
10	50.46	35.56	00131003	00161003
12	60.62	45.72	00131203	00161203

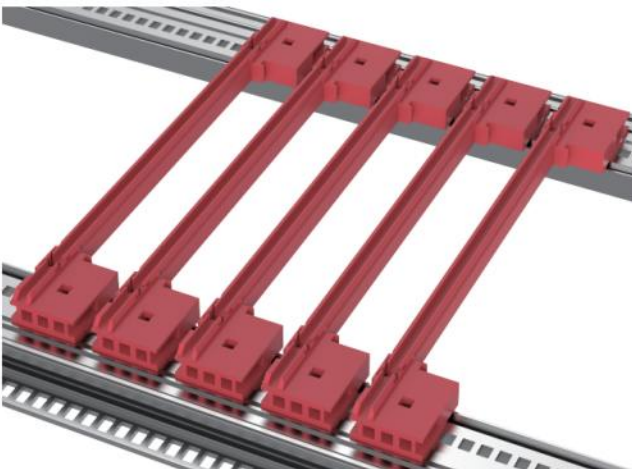
Guide rail

Product description

- For 1.6-2.0mm thickness PCB boards
- Codable, coding chamber for mounting coding pegs
- Different color forms are used to identify different slots
- Red for system slots
- Green for power supply
- Grey and yellow for plug-in components
- Only available for EK&EG, EK+&EG+ series subracks



CPCI Guide rail



Square guide rail

Performance description

- Conformity to standards: EN 45545-2:2013+A1:2015(E)
- Aging standard: GB/T7141-2008,,90°C,6h
- Fire protection standard: EN 45545-2:2013+A1:2015(E)
- Embrittlement standard: GB/T5470-2008, -55°C
- ROHS standard: 2011/65/EU

Material and finish

PC+20%GF
PC+20%GF

Order information

Board height	Groove width	Color	Colour code	Order no
160	2	Green	RAL6024	1001047
220	2	Grey	RAL7044	1001054

Order information

Board height	Groove width	Color	Colour code	Order no
80	2	Grey	RAL7044	1001071
80	2	Green	RAL6024	1001134
80	2	Black	RAL9011	1001133
80	2	Red	RAL3031	1001006
80	2	Yellow	RAL1003	1001007
160	2	Grey	RAL7044	1001001
160	2	Green	RAL6024	1001002
160	2	Yellow	RAL1003	1001003
160	2	Black	RAL9011	1001004
160	2	Red	RAL3031	1001005
220	2	Grey	RAL7044	1001012
220	2	Green	RAL6024	1001009
220	2	Yellow	RAL1003	1001011
220	2	Black	RAL9011	1001008
220	2	Red	RAL3031	1001010

Order information

Board height	Groove width	Color	Colour code	Order no
160	2	Red	RAL3031	1001051
160	2	Grey	RAL7044	1001014
220	2	Red	RAL3031	1001052
220	2	Grey	RAL7044	1001017

EK&EG PRO Series Subracks
EK+&EG+ PRO Series Subracks
BEN&BEG PRO Series Subracks
Handle specification and accessories
Guide rail specification and accessories
19" CR Series Subracks
SNCF Series Subracks
Shielded plug-in units Series Subracks
VERO Series Subracks
Protective Series Subracks
CASE Series Subracks
Type A Series Subracks
Integrated side panels series subracks
IN-S Series Subracks
Subracks Accessories
Panel component
Order no. and page Table

Guide rail

Product description

- For 1.6-2.0mm thickness PCB boards
- Codable, coding chamber for mounting coding pegs
- Different color forms are used to identify different slots
- Red for system slots
- Green for power supply
- Grey and yellow for plug-in components
- Only available for EK&EG, EK+&EG+ series subracks

Performance description

- Conformity to standards: EN 45545-2:2013+A1:2015(E)
- Aging standard: GB/T7141-2008,,90°C,6h
- Fire protection standard: EN 45545-2:2013+A1:2015(E)
- Embrittlement standard: GB/T5470-2008, -55°C
- ROHS standard: 2011/65/EU

Material and finish

PC+20%GF

Order information

Board height	Groove width	Color	Colour code	Order no
160	2	Grey	RAL7044	1001086
220	2	Grey	RAL7044	1001156



EK+ Guide rail



EK+ Guide rail

Guide rail

Product description

- For 1.6-2.0mm thickness PCB boards.
- Codable, coding chamber for mounting coding pegs
- Different color forms are used to identify different slots
- Red for system slots
- Green for power supply
- Grey and yellow for plug-in components
- Only available for EK&EG, EK+&EG+ series subracks

Performance description

- Conformity to standards: EN 45545-2:2013+A1:2015(E)
- Aging standard: GB/T7141-2008,,90°C,6h
- Fire protection standard: EN 45545-2:2013+A1:2015(E)
- Embrittlement standard: GB/T5470-2008, -55°C
- ROHS standard: 2011/65/EU

Material and finish

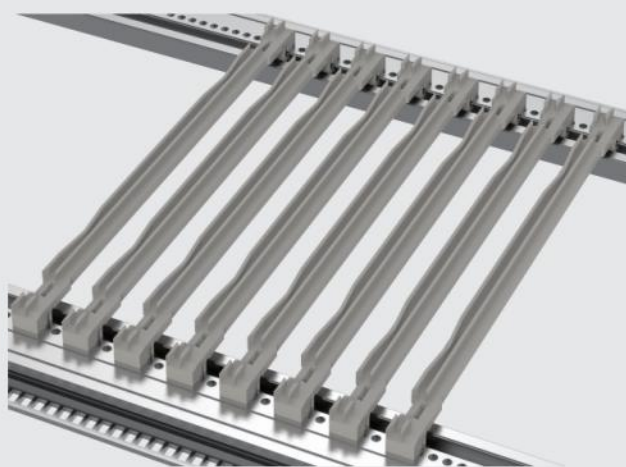
PC+20%GF
PC+20%GF

Order information

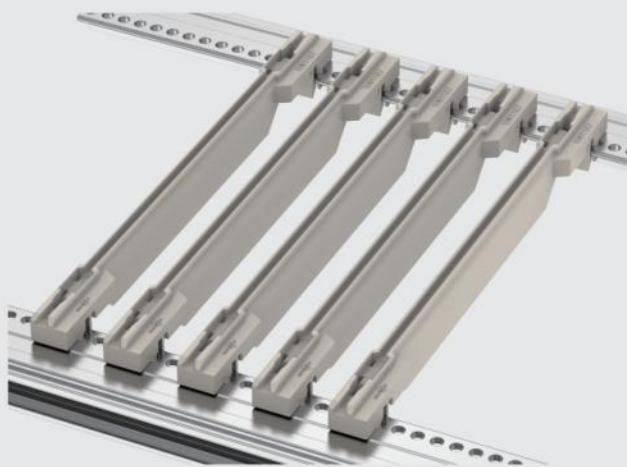
Board height	Groove width	Color	Colour code	Order no
160	2	Grey	RAL7032	1001049
220	2	Grey	RAL7032	1001048



Type F guide rail



Clip guide rail



Enhanced card guide rail

Order information

Board height	Groove width	Color	Colour code	Order no
160	2	Grey	RAL7044	1001045
160	2	Yellow	RAL1003	1001046
220	2	Grey	RAL7044	1001044

Order information

Board height	Groove width	Color	Colour code	Order no
160	2	Grey	RAL7044	1001187
220	2	Grey	RAL7044	1001186

Guide rail

Product description

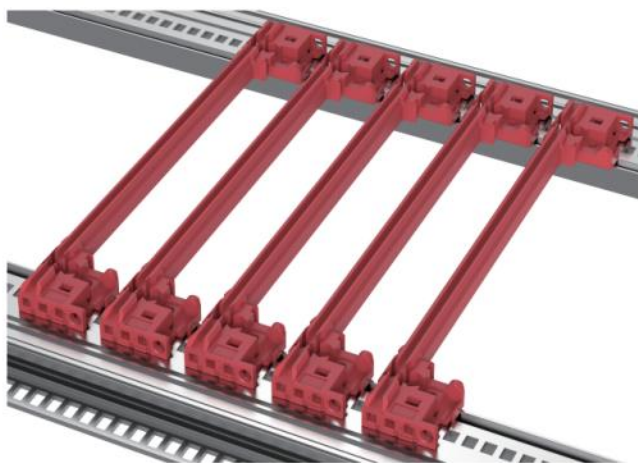
- For 1.6-2.0mm thickness PCB boards
- Codable, coding chamber for mounting coding pegs
- Different color forms are used to identify different slots
- Red for system slots
- Green for power supply
- Grey and yellow for plug-in components
- Only available for BEK&BEG series subracks

Performance description

- Conformity to standards: EN 45545-2:2013+A1:2015(E)
- Aging standard: GB/T7141-2008,,90°C,6h
- Fire protection standard: EN 45545-2:2013+A1:2015(E)
- Embrittlement standard: GB/T5470-2008, -55°C
- ROHS standard: 2011/65/EU

Material and finish

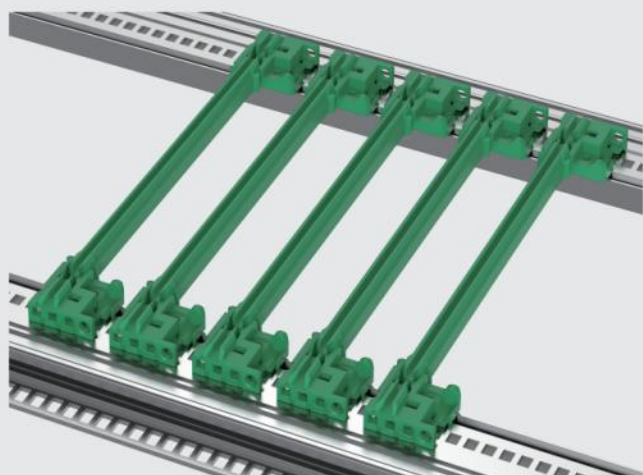
PC+20%GF
PC+20%GF
PC+20%GF



Type B CPCI guide rail

Order information

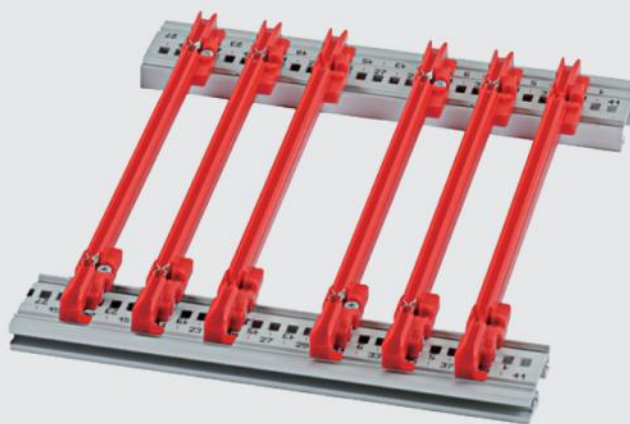
Board height	Groove width	Color	Colour code	Order no
70	2	Grey	RAL7044	1001125
70	2	Red	RAL3031	1001124
160	2	Grey	RAL7044	1001018
160	2	Red	RAL3031	1001019
220	2	Grey	RAL7044	1001131
220	2	Red	RAL3031	1001113



Type B CPCI offset guide rail

Order information

Board height	Groove width	Color	Color code	Order no
160	2	Green	RAL6024	1001096



Type B standard guide rail

Order information

Board height	Groove width	Color	Colour code	Order no
70	2	Red	RAL3031	1001102
160	2	Red	RAL3031	1001020
220	2	Red	RAL3031	1001015

EK&BEG PRO Series Subracks
EK+MEG+PRO Series Subracks
BEK&BEG PRO Series Subracks
Handle specification and accessories
Guide rail specification and accessories
19" CUR Series Subracks
SNCF Series Subracks
Shielded plug-in units Series Subracks
VERO Series Subracks
Protective Series Subracks
CASE Series Subracks
Type A Series Subracks
Integrated slot panels series subracks
IN-S Series Subracks
Subracks Accessories
Panel component
Order no. and page Table

Guide rail

Product description

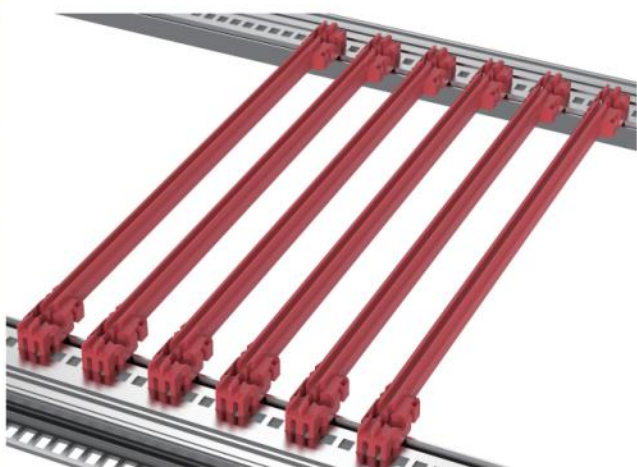
- For 1.6-2.0mm thickness PCB boards
- Codable, coding chamber for mounting coding pegs
- Different color forms are used to identify different slots
- Red for system slots
- Green for power supply
- Grey and yellow for plug-in components
- Only available for BEK&BEG series subracks

Performance description

- Conformity to standards: EN 45545-2:2013+A1:2015(E)
- Aging standard: GB/T7141-2008,,90°C,6h
- Fire protection standard: EN 45545-2:2013+A1:2015(E)
- Embrittlement standard: GB/T5470-2008, -55°C
- ROHS standard: 2011/65/EU

Material and finish

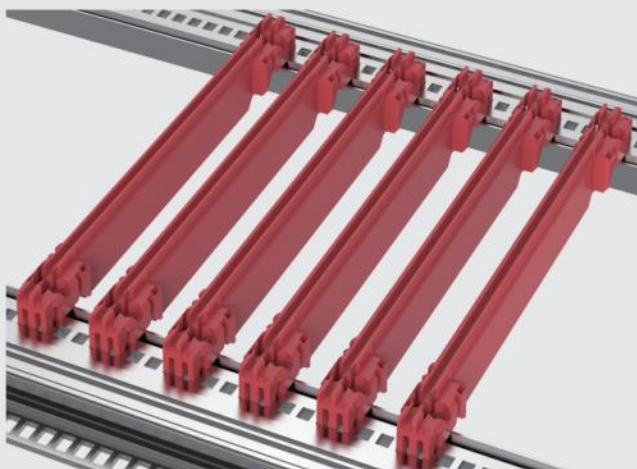
PC+20%GF
PC+20%GF



Type B short guide rail

Order information

Board height	Groove width	Color	Colour code	Order no
100	2	Grey	RAL7044	1001116
100	2	Red	RAL3031	1001103
160	2	Grey	RAL7044	1001153
160	2	Green	RAL6018	1001154
160	2	Red	RAL3031	1001147
220	2	Grey	RAL7044	1001119
220	2	Red	RAL3031	1001108



Type B enhanced guide rail

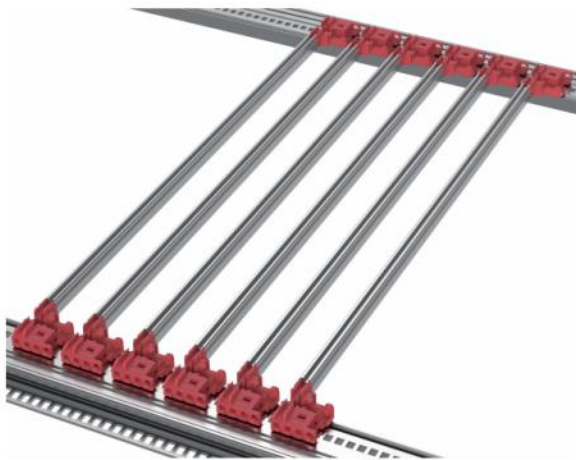
Order information

Board height	Groove width	Color	Colour code	Order no
160	2	Grey	RAL7032	1001121
160	2	Red	RAL3031	1001120
220	2	Grey	RAL7032	1001104
220	2	Red	RAL3031	1001099
280	2	Grey	RAL7032	1001123
280	2	Red	RAL3031	1001122

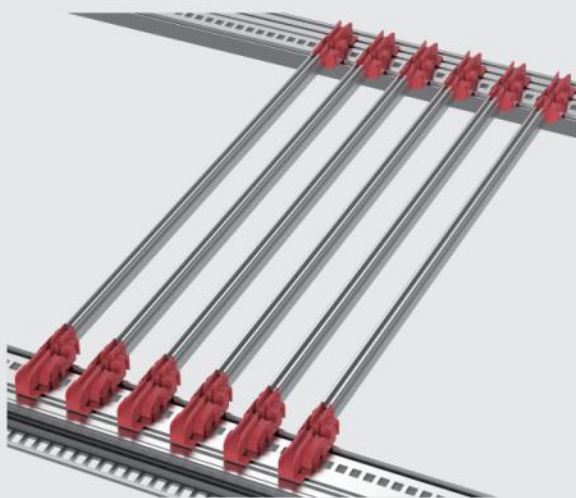
Guide rail

Delivery includes

Name	Qty	Description
End piece (top)	1	Used for 1.6-2.0mm thickness PCB board, material PC+20%GF
End piece (Bottom)	1	Used for 1.6-2.0mm thickness PCB board, material PC+20%GF
The middle part guide rail	1	Aluminum profile, length can be customized, used for any length of board



Multi piece type B CPCI guide rail



Multi piece type B guide rail

Order information

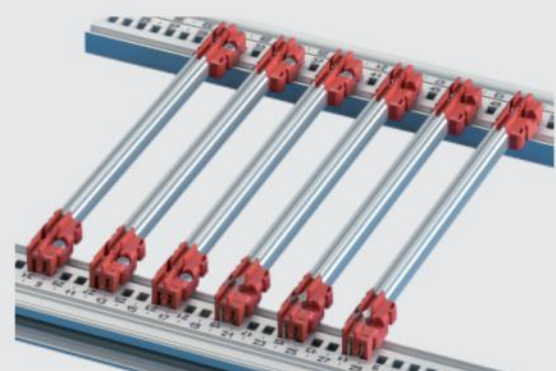
Board height	Groove width	Color	Colour code	Order no	Color	Colour code	Order no
160	2	Red	RAL3031	1001111	Grey	RAL7044	1001115
220	2	Red	RAL3031	1001112	Grey	RAL7044	1001126
280	2	Red	RAL3031	1001107	Grey	RAL7044	1001127
340	2	Red	RAL3031	1001114	Grey	RAL7044	1001128

Performance description

- Conformity to standards: EN 45545-2:2013+A1:2015(E)
- Aging standard: GB/T7141-2008,,90°C,6h
- Fire protection standard: EN 45545-2:2013+A1:2015(E)
- Embrittlement standard: GB/T5470-2008, -55°C
- ROHS standard: 2011/65/EU
- Only available for BEK&BEG series subracks

Order information

Board height	Groove width	Color	Colour code	Order no	Groove width	Order no
160	2.5	Red	RAL3031	1001209	2.0	1001259
220	2.5	Red	RAL3031	1001210	2.0	1001260
280	2.5	Red	RAL3031	1001211	2.0	1001261
340	2.5	Red	RAL3031	1001212	2.0	1001262
160	2.5	Grey	RAL7044	1001213	2.0	1001263
220	2.5	Grey	RAL7044	1001214	2.0	1001264
280	2.5	Grey	RAL7044	1001215	2.0	1001265
340	2.5	Grey	RAL7044	1001216	2.0	1001266



Multi piece type B short guide rail

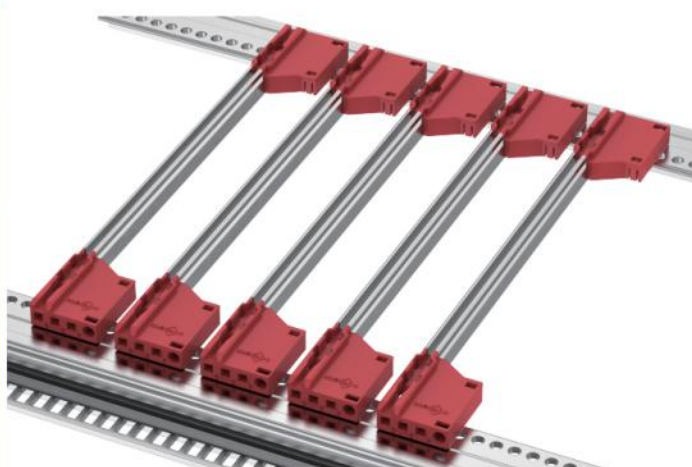
Order information

Board height	Groove width	Color	Colour code	Order no
160	2	Red	RAL3031	1001025
220	2	Red	RAL3031	1001026
280	2	Red	RAL3031	1001184
340	2	Red	RAL3031	1001027

Guide rail

Delivery includes

Name	Qty	Description
End piece (top)	1	Used for 1.6-2.0mm thickness PCB board, material PC+20%GF
End piece (Bottom)	1	Used for 1.6-2.0mm thickness PCB board, material PC+20%GF
The middle part guide rail	1	Aluminum profile, length can be customized, used for any length of board



Multi piece type CPCI guide rail

Performance description

- Conformity to standards: EN 45545-2:2013+A1:2015(E)
- Aging standard: GB/T7141-2008,,90°C,6h
- Fire protection standard: EN 45545-2:2013+A1:2015(E)
- Embrittlement standard: GB/T5470-2008, -55°C
- ROHS standard: 2011/65/EU
- Only available for EK&EG, EK+&EG+ series subracks

Order information

Board height	Groove width	Color	Colour code	Order no
160	2	Red	RAL3031	1001233
220	2	Red	RAL3031	1001234
280	2	Red	RAL3031	1001235
340	2	Red	RAL3031	1001236
160	2	Grey	RAL7044	1001237
220	2	Grey	RAL7044	1001238
280	2	Grey	RAL7044	1001239
340	2	Grey	RAL7044	1001240
160	2.5	Red	RAL3031	1001241
220	2.5	Red	RAL3031	1001242
280	2.5	Red	RAL3031	1001243
340	2.5	Red	RAL3031	1001244
160	2.5	Grey	RAL7044	1001245
220	2.5	Grey	RAL7044	1001246
280	2.5	Grey	RAL7044	1001247
340	2.5	Grey	RAL7044	1001248



Multi piece type Clip guide rail

Order information

Board height	Groove width	Color	Colour code	Order no
160	2	Red	RAL3031	1001217
220	2	Red	RAL3031	1001218
280	2	Red	RAL3031	1001219
340	2	Red	RAL3031	1001220
160	2	Grey	RAL7044	1001221
220	2	Grey	RAL7044	1001222
280	2	Grey	RAL7044	1001223
340	2	Grey	RAL7044	1001224
160	2.5	Red	RAL3031	1001225
220	2.5	Red	RAL3031	1001226
280	2.5	Red	RAL3031	1001227
340	2.5	Red	RAL3031	1001228
160	2.5	Grey	RAL7044	1001229
220	2.5	Grey	RAL7044	1001230
280	2.5	Grey	RAL7044	1001231
340	2.5	Grey	RAL7044	1001232

Heavy-duty guide rail

Product description

- Used for 1.6-2.0mm thick PCB boards
- Commonly used for installing heavier card modules
- Screw fixation to BEG square hole front beam, BEG front beam or reinforced mold beam, with fastening screws
- Suitable for BEG series chassis

Performance description

- Conformity to standards: EN 45545-2:2013+A1:2015(E)
- Aging standard: GB/T7141-2008,,90°C,6h
- Fire protection standard: EN 45545-2:2013+A1:2015(E)
- Embrittlement standard: GB/T5470-2008, -55°C
- ROHS standard: 2011/65/EU

Material and finish

- Extruded aluminum profile: 6063-T5
- Surface treatment: anodizing



Heavy-duty guide rail

Order information

Board height	Groove width	Color	Order no
160	2	Silvery	1001167
220	2	Silvery	1001168
280	2	Silvery	1001163
340	2	Silvery	1001151
400	2	Silvery	1001155
160	2.5	Silvery	1001171
220	2.5	Silvery	1001135
280	2.5	Silvery	1001136
340	2.5	Silvery	1001137
400	2.5	Silvery	1001138

EN&EG PRO Series Subracks
EK&EG+ PRO Series Subracks
BEG&BEG PRO Series Subracks
Handle specification and accessories
Guide rail specification and accessories
19" CRU Series Subracks
SNCF Series Subracks
Shielded plug-in units Series Subracks
VERO Series Subracks
Protective Series Subracks
CASE Series Subracks
Type A Series Subracks
Integrated side panel series subracks
IN-S Series Subracks
Subracks Accessories
Panel component
Order no. and page Table

H Guide rail



Product description

- Multiple installation modes to satisfy different requirements
- Suitable for various types (standard and non-standard) of boards and various insert boxes
- (standard and non-standard) between a variety of installation and cooperation
- Slot width 2.3, suitable for 1.6-2.0 thickness of PCB boards

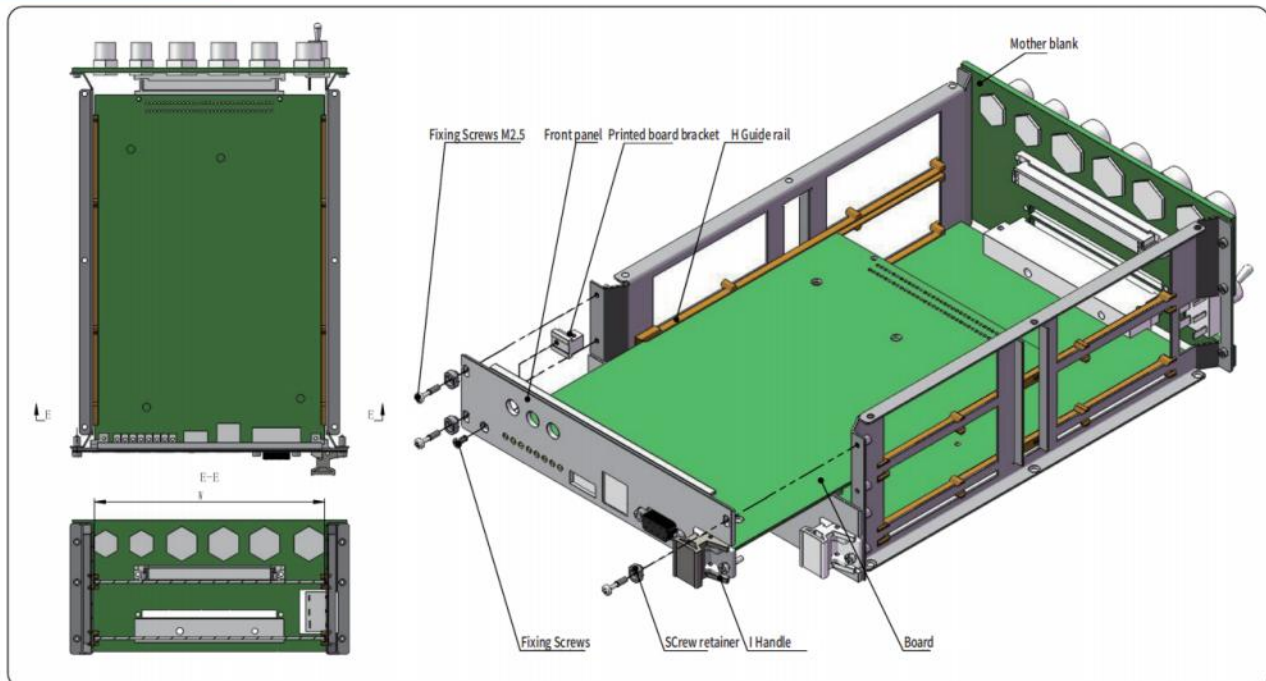
Performance description

- Compliant with IE60297
- Conformity to standards: EN 45545-2:2013+A1:2015(E)
- Aging standard: GB/T7141-2008,,90°C,6h
- Fire protection standard: EN 45545-2:2013+A1:2015(E)
- Embrittlement standard: GB/T5470-2008, -55°C
- ROHS standard: 2011/65/EU

Material and finish

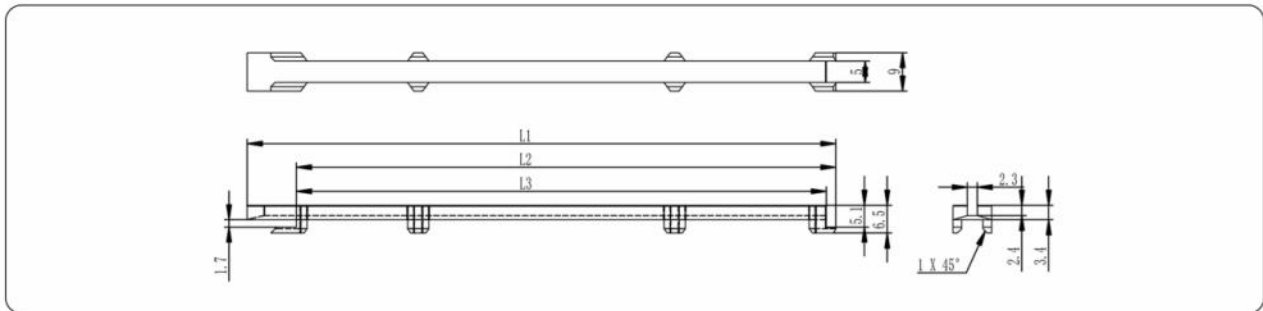
- PC+20%GF

Guide rail Schematic

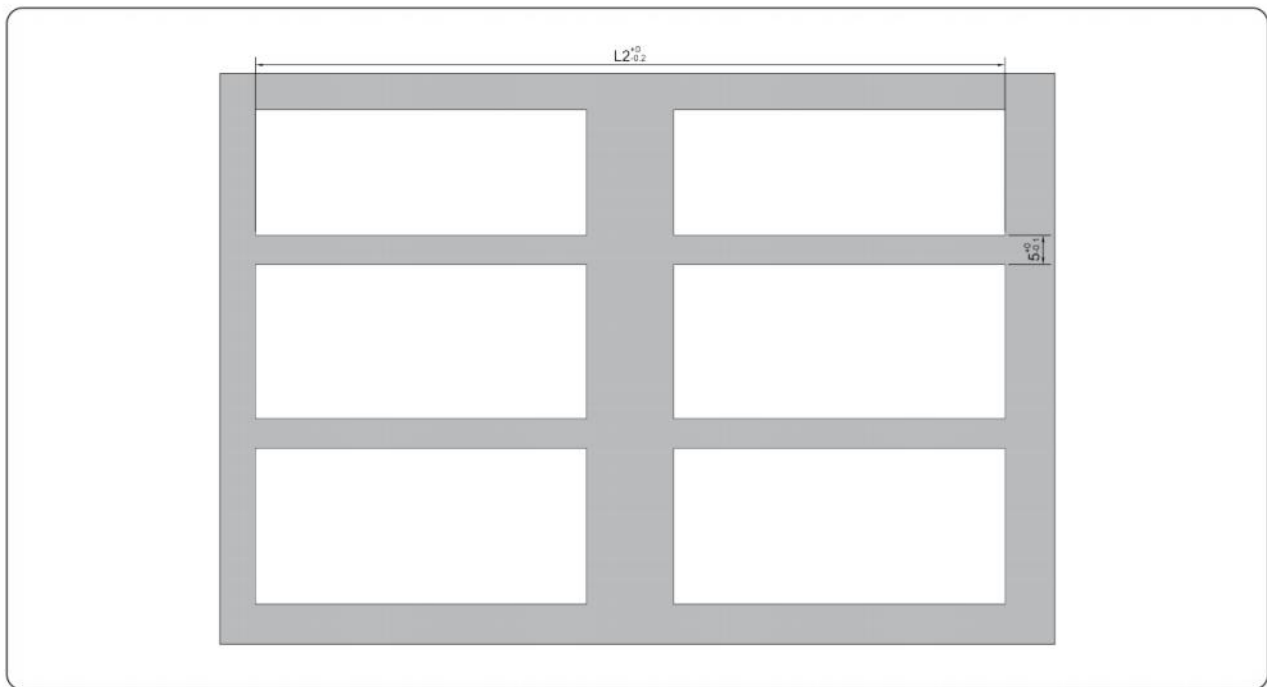


H Guide rail

Dimensions



Cut-Size

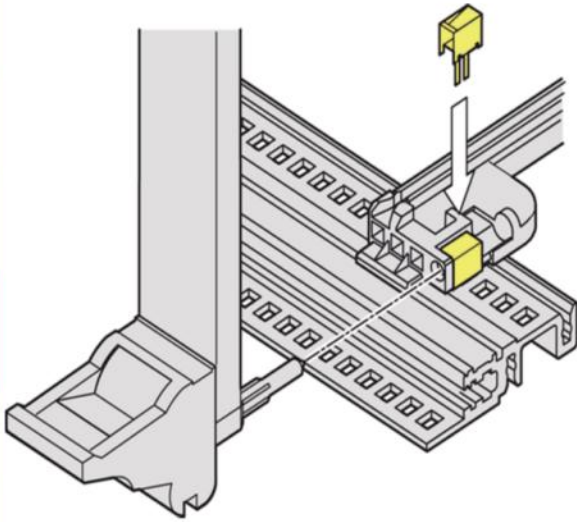


Order information

Only applicable board	L1	L2	L3	Color	Order no
220	197.7	186.2	184	Yellow	1001076
160	137.7	126.2	124	Yellow	1001077
110(Non-standard Board)	85.7	74.2	72	Grey	1001058

EK&EG PRO Series Subracks
EK+MEG+PRO Series Subracks
BEK&BEG PRO Series Subracks
Handle specification and accessories
Guide rail specification and accessories
19" CUR Series Subracks
SNCF Series Subracks
Shielded plug-in units Series Subracks
VERO Series Subracks
Protective Series Subracks
CASE Series Subracks
Type A Series Subracks
Integrated side panel series subracks
IN-S Series Subracks
Subracks Accessories
Panel component
Order no. and page Table

Guide rail accessories

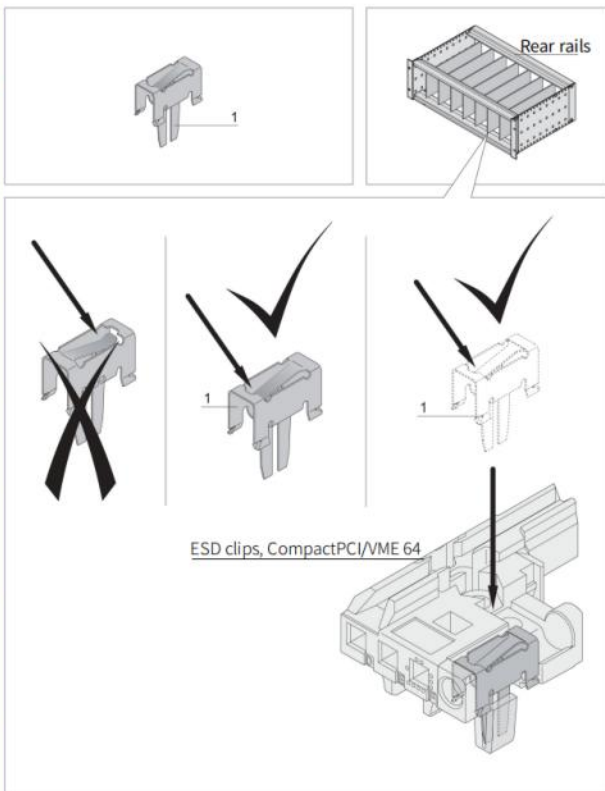


ESD clips, CompactPCI/VME 64

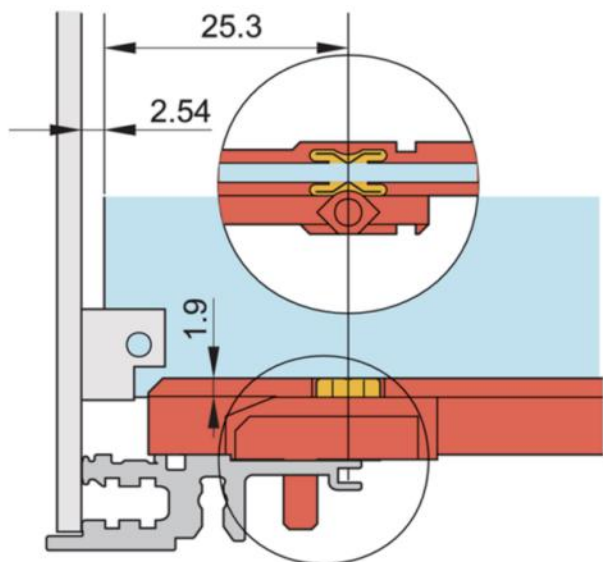
- Spring steel, tin-plated, ESD clip, for alignment pin in accordance with IEEE
- can be plugged into the guide rails with coding and into the keying/coding block
- provides conductive contact between the alignment pin of the insertion/extractor handle (IEL or IET handle) and the horizontal rail

Order information

Item	Name	Order no
1	ESD clips, CompactPCI/VME 64	1010010



Guide rail accessories

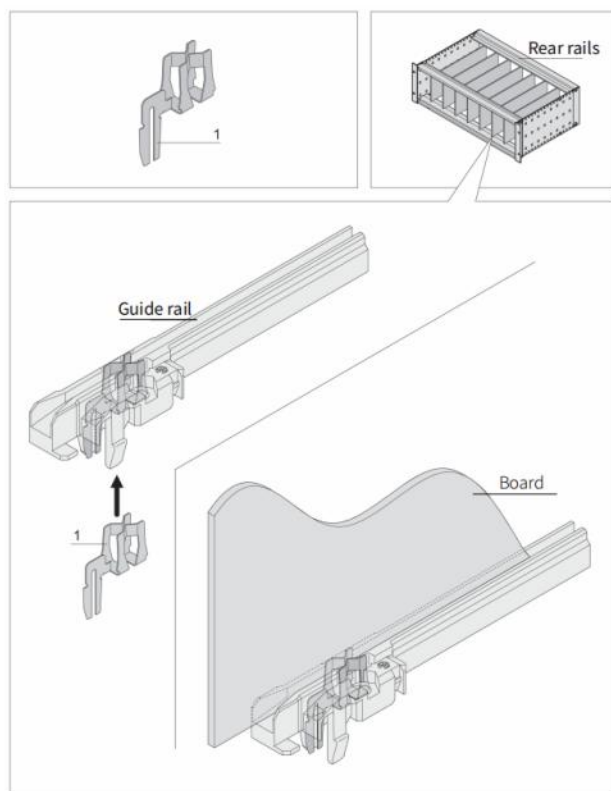


ESD clips for guide rails

- Spring steel, tin-plated, provides conductive contact between board and horizontal rail, on both the solder side and the component side

Order information

Name	Order no
ESD Clip	1010001



EK&EG PRO
Series Subracks

EK+MEG+PRO
Series Subracks

BEK&BEG PRO
Series Subracks

Handle
specification
and accessories

Guide rail
specification
and accessories

19"CUR
Series Subracks

SNCF
Series Subracks

Shielded
plug-in units
Series Subracks

VERO
Series Subracks

Protective
Series Subracks

CASE
Series Subracks

Type A
Series Subracks

Integrated
slide panels
series subracks

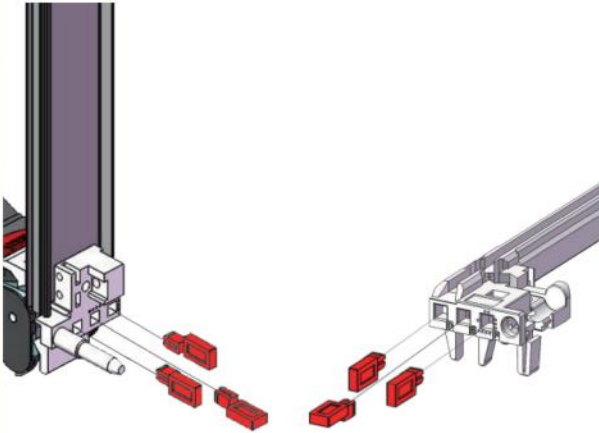
IN-S
Series Subracks

Subracks
Accessories

Panel
component

Order no.
and page Table

Guide rail accessories

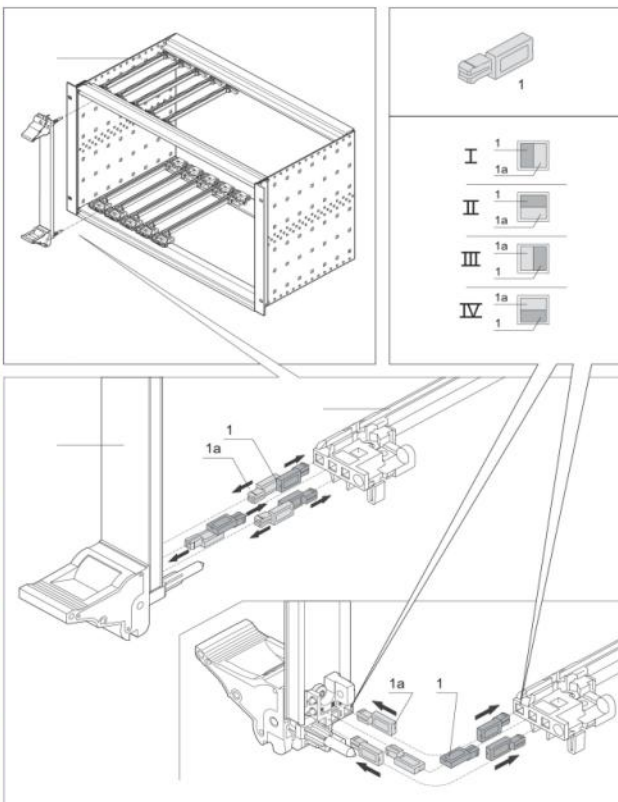


CompactPCI Coding pins

- Keying/coding for CompactPCI, VME64x handles to IEEE 1011.10 and IEC 60297-3-103
 - Keying/coding peg, PC, UL 94 V-0, RAL 7035/RAL 3020
- The keying/coding pegs prevent plug-in units to be mounted in wrong slots. They are inserted in the chambers of the codablecard guides as well as in the insertion/extractorhandles IEL or IET (4 possible positions), resulting in 64 codings per card guide; when coding the upper and lower card guide, 4096 codings will result;

Order information

Name	Color	Colour code	Order no
Coding pins	Red	RAL3020	1009010
Coding pins	Grey	RAL7032	1009011





Standards/certifications

Inner and outer dimensions meet: IEC 60297-3-100, -101, -102, -103, -104, -105, IEEE1101.1 and IEEE1101.10/11 Type of protection IP20 in accordance with IEC 60529

EMC testing to IEC 61587-3

Shock and vibration test reports: German "Bahn" standards BN 411002, BN 411003; NF F 60002, NF F 67012, IEC 61587-2, EN 50155, part 12.2.11

Customized service

Customize the side panel of the Subracks

Panel and panel opening, screen printing

19" CUR Series Subrack Introduction

The 19" CUR series of subracks is a series of subracks developed by **RDEKONO** for the application of 19" standard subracks. The 19" CUR series has been proven to be a stable and rugged subracks that meets all the requirements of the 19" standard size and application

19" CUR Series Subracks introduction

The 19" CUR series subrack is an electronic subrack for a wide range of standard electronic equipment and user-defined electronic systems for 19"

19" CUR 系列机箱的特点

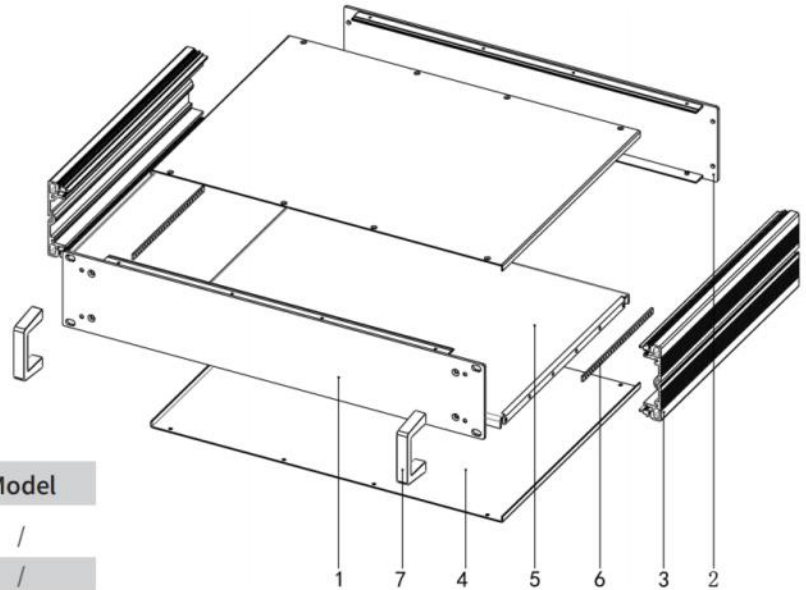
- **RDEKONO**'s 19" CUR series subracks are manufactured using advanced technology
- The 19" CUR series is compliant with the 19" standard and easy to assemble (Refer to the company's 19" standard summary manual for details). Fully embodies the characteristics and advantages of standardization, modularization and serialization
- All series of products use a combination of common standard parts, reflecting a high degree of flexibility, customers can use common standard parts or customized products according to specific needs vibration, shock test standards: according to IEC 61587-1, NE50155, BN411002, NF F67012, NF F67002 test.
- Subracks with good electromagnetic shielding performance

19"CUR Series Subracks



19"CUR Subrack

- Aluminum profile panel, the main body of the subrack is covered with aluminum zinc plate
- Detachable rear panel for easy installation
- Standard 19" power supply or ATX power supply can be installed
- Can be used to install irregularly shaped boards or power modules
- Standard 19" mounting is available, as well as slide-in mounting



Delivery includes

Item	Name	Qty	Model
1	Front panel	1	/
2	Rear panel	1	/
3	Side panel	2	/
4	Cover plate	2	/
5	Mounting plate	1	Choice
6	Threaded insert	2	/
7	Handle	1	Choice

Order information

Height	Width	Depth	Model	Order no
1U	84TE	220	Perforated	7184-22011
1U	84TE	220	Without holes	7184-22001
1U	84TE	280	Perforated	7184-28011
1U	84TE	280	Without holes	7184-28001
1U	84TE	340	Perforated	7184-34011
1U	84TE	340	Without holes	7184-34001
2U	84TE	220	Perforated	7284-22011
2U	84TE	220	Without holes	7284-22001
2U	84TE	280	Perforated	7284-28011
2U	84TE	280	Without holes	7284-28001
2U	84TE	340	Perforated	7284-34011
2U	84TE	340	Without holes	7284-34001

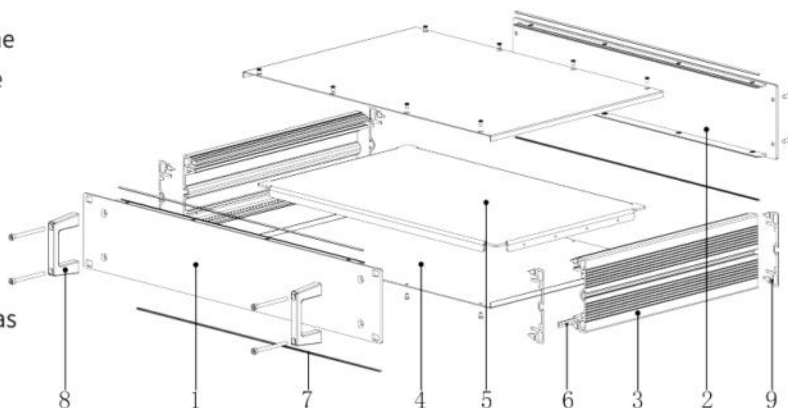
Height	Width	Depth	Model	Order no
3U	84TE	280	Perforated	7384-28011
3U	84TE	280	Without holes	7384-28001
3U	84TE	340	Perforated	7384-34011
3U	84TE	340	Without holes	7384-34001
3U	84TE	400	Perforated	7384-40011
3U	84TE	400	Without holes	7384-40001
3U	84TE	460	Perforated	7384-46011
3U	84TE	460	Without holes	7384-46001
4U	84TE	280	Perforated	7484-28011
4U	84TE	280	Without holes	7484-28001
4U	84TE	340	Perforated	7484-34011
4U	84TE	340	Without holes	7484-34001
4U	84TE	400	Perforated	7484-40011
4U	84TE	400	Without holes	7484-40001
4U	84TE	460	Perforated	7484-46011
4U	84TE	460	Without holes	7484-46001
5U	84TE	460	Perforated	7584-46011
5U	84TE	460	Without holes	7584-46001

19"CUR Series Subracks



19"EMC Shielded Subracks

- Aluminum profile panel, the main body of the subrack is covered with aluminum zinc plate
- Detachable rear panel for easy installation
- Standard 19" power supply or ATX power supply can be installed
- Can be used to install irregularly shaped boards or power modules
- Standard 19" mounting is available, as well as slide-in mounting
- EMC suite can be added to form a shielding subracks



Delivery includes

Item	Name	Qty	Model
1	Front panel	1	/
2	Rear panel	1	/
3	Side panel	2	/
4	Cover plate	2	/
5	Mounting plate	1	Choice
6	Threaded insert	2	/
7/9	EMC components	4	/
8	Handle	2	Choice

Order information

Height	Width	Depth	Model	Order no
1U	84TE	220	Perforated	7184-2200
1U	84TE	220	Without holes	7184-2201
1U	84TE	280	Perforated	7184-2800
1U	84TE	280	Without holes	7184-2801
1U	84TE	340	Perforated	7184-3400
1U	84TE	340	Without holes	7184-3401
2U	84TE	220	Perforated	7284-2200
2U	84TE	220	Without holes	7284-2201
2U	84TE	280	Perforated	7284-2800
2U	84TE	280	Without holes	7284-2801
2U	84TE	340	Perforated	7284-3400
2U	84TE	340	Without holes	7284-3401

Height	Width	Depth	Model	Order no
3U	84TE	280	Perforated	7384-2800
3U	84TE	280	Without holes	7384-2801
3U	84TE	340	Perforated	7384-3400
3U	84TE	340	Without holes	7384-3401
3U	84TE	400	Perforated	7384-4000
3U	84TE	400	Without holes	7384-4001
3U	84TE	460	Perforated	7384-4600
3U	84TE	460	Without holes	7384-4601
4U	84TE	280	Perforated	7484-2800
4U	84TE	280	Without holes	7484-2801
4U	84TE	340	Perforated	7484-3400
4U	84TE	340	Without holes	7484-3401
4U	84TE	400	Perforated	7484-4000
4U	84TE	400	Without holes	7484-4001
4U	84TE	460	Perforated	7484-4600
4U	84TE	460	Without holes	7484-4601
5U	84TE	460	Perforated	7584-4600
5U	84TE	460	Without holes	7584-4601

EK&EG PRO Series Subracks
 EK+&EG+PRO Series Subracks
 BEK&BEG PRO Series Subracks
 Handle specification and accessories
 Guide rail specification and accessories
 19"CUR Series Subracks
 SNCF Series Subracks
 Shielded plug-in units Series Subracks
 VERO Series Subracks
 Protective Series Subracks
 CASE Series Subracks
 Type A Series Subracks
 Integrated Side panel Series Subracks
 IN-S Series Subracks
 Subracks Accessories
 Panel component
 Order no. and page Table

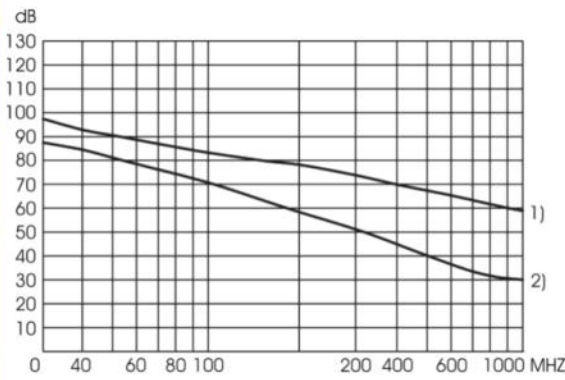
19"CUR Series Subracks



19"CUR Subrack shielding effectiveness

- 19"EMC subrack has remarkable shielding effect
- The shielding effect can reach the national military standard C level
- The test results are as shown in the figure

Shielded accessories



Measurement Report	
Report Number	DZ2023A077 P3/6
Product name	19" CUR Shielded cabinet
Company Location	Beijing Dongcheng District ChaCi Community Building 15 Room 905
Model specifications	Z084TE4000
Manufacturer	Beijing Ruide Kono Electronic Equipment Co., Ltd
Requester	Beijing Ruide Kono Electronic Equipment Co., Ltd
Measurement Type	EMC Measurement
Tested Date	2023年7月10日
Measured Frequency	15MHz, 100MHz, 450MHz, 950MHz, 1GHz
Measured Standard	GB/T 38708-2020 0.1m-2m Measurement method for shielding effectiveness of shielding shells
Notes	The inspection focuses on testing the weak parts of the shielding performance of the shielding case, such as joints, doors, etc, please see report result on page 5
Main inspection	李超 2023.7.13
Verification	张长庚 2023.7.13
Approval (Manager)	李超 2023.7.13

Measurement Report	
Report No.	DZ2023A077 P4/6
Test Position and Test Point Numbering	
Beijing Base Technology Co., Ltd. Testing Department Tel: 010-64373942 Fax: 010-64373942-8011 Email: z0734@vip.sina.com	

Measurement Report						
Report No.	DZ2023A077 P5/6					
Test Conditions: 20°C/20%RH						
Measurement Project	Measured Frequency	Measured Point	# of Test Points	Unshielded Spatial Signal (Unit: dBμV)	Shielded Inside Box (Unit: dBμV)	Shielding Effectiveness (Unit: dB)
Shielding Effectiveness	15MHz	A (front)	1	88	5	83
		B (the right side)	2	88	3	85
		C (behind)	3	88	2	86
		D (the left side)	4	88	1	87
		E (above)	5	88	0	88
		F (below)	6	88	0	88
	100MHz	A (front)	1	85	22	63
		B (the right side)	2	85	21	64
		C (behind)	3	85	17	68
		D (the left side)	4	85	16	69
		E (above)	5	85	20	65
		F (below)	6	85	28	57
	450MHz	A (front)	1	80	25	55
		B (the right side)	2	80	24	56
		C (behind)	3	80	24	56
		D (the left side)	4	80	23	57
		E (above)	5	80	28	52
		F (below)	6	80	26	54
	1GHz	A (front)	1	75	26	49
		B (the right side)	2	75	26	49
		C (behind)	3	75	28	47
		D (the left side)	4	75	27	48
		E (above)	5	75	30	45
		F (below)	6	75	29	46

Notes: Shielding Effectiveness = Unshielded Spatial Signal - Signal Inside Shielded Box

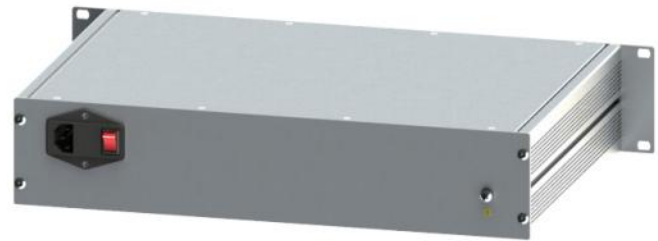
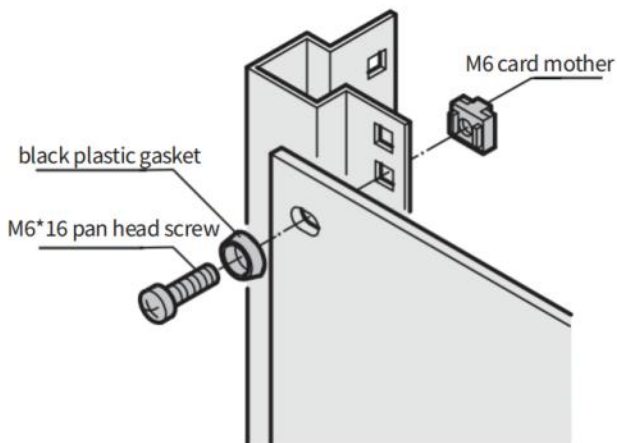
19"CUR Series Subracks



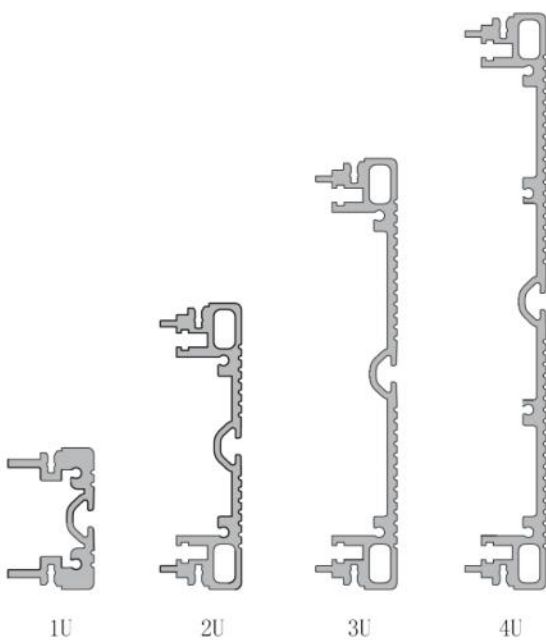
Application of 19 "CUR subracks

- 19"CUR series subracks uses cabinet nail components to install on the cabinet
- The 19" CUR series subracks can also be used with slide rails and installed on the cabinet to facilitate the subrack pullout
- The front and rear panels of the subracks can be screen printed and drilled

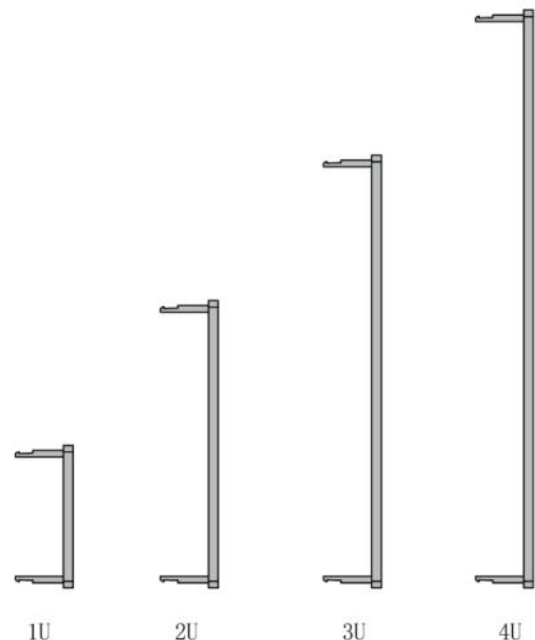
Cabinet mounting nail assembly



Side panel cross-sectional view



Cross section view of front and rear panels



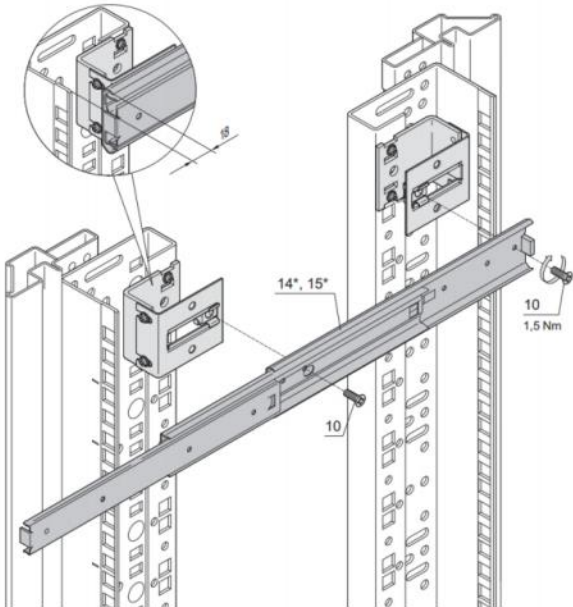
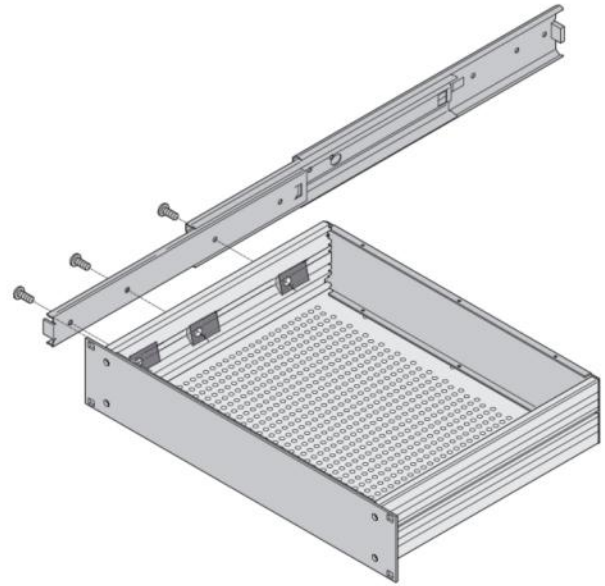
EK&EG PRO Series Subracks
EK+&EG+PRO Series Subracks
BEK&BEG PRO Series Subracks
Handle specification and accessories
Guide-rail specification and accessories
19"CUR Series Subracks
SNCF Series Subracks
Shielded plug-in units Series Subracks
VERO Series Subracks
Protective Series Subracks
CASE Series Subracks
Type A Series Subracks
Integrated Slide-panel Series Subracks
IN-S Series Subracks
Subracks Accessories
Panel component
Order no. and page Table

19"CUR Series Subracks



19"CUR Subrack accessory

Telescopic slide rail installation diagram

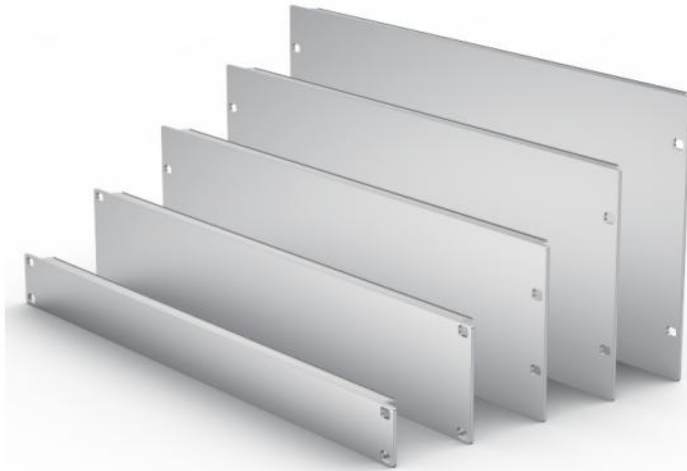


19"CUR Series Subracks



19"CUR Subrack accessory

Profile front panel blind plate



- Aluminum profile EMC blind plate, front anodized
 - Used in conjunction with conductive foam to make the contact surface between the blind plate conductive, thereby increasing the shielding effect
 - Used in conjunction with M6 screws, it can also be installed in front of the cabinet and used as the front panel of the cabinet
- The unified standard for the surface of the EMC blind plate of the profile is anodizing, and customers can also customize spray molding, opening, and screen printing according to their needs

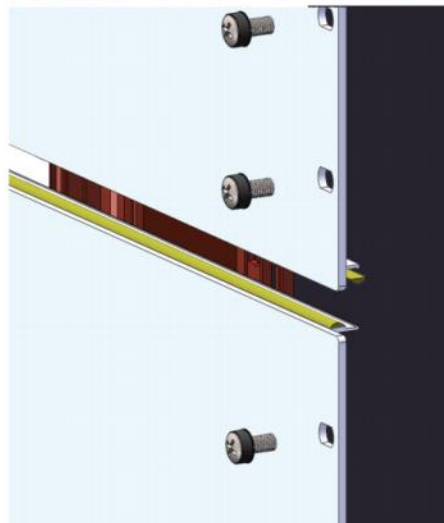
Delivery includes

Name	Qty	Model	Description
Profile blind plate	1	/	Profile panel, suitable for the front panel of the cabinet chassis
EMC textile gasket	2	Choice	Conductive cloth shielding strip, increasing shielding effect
Screw assembly	4	/	Install panel accessories

Order information

Height	H	D	Thick 3mm Anodized treatment Order no
U	mm	mm	
1U	43.6	31.7	02013000
2U	88.1	76.2	02023000
3U	132.5	57.1	02033000
4U	177.0	101.6	02043000
5U	221.4	146.0	02053000

Installation diagram of EMC textile gasket

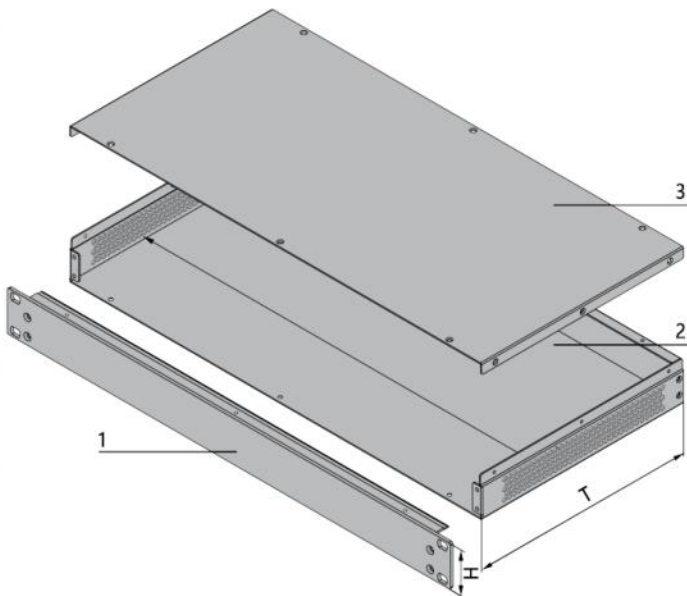


EM&EG PRO Series Subracks
 EK+EG+PRO Series Subracks
 BE&BEG PRO Series Subracks
 Handle specification and accessories
 Guide rail specification and accessories
 19"CUR Series Subracks
 SNCF Series Subracks
 Shielded plug-in units Series Subracks
 VERO Series Subracks
 Protective Series Subracks
 CASE Series Subracks
 Type A Series Subracks
 Integrated Side-panel Series Subracks
 IN-S Series Subracks
 Subracks Accessories
 Panel component
 Order no. and page Table

19"CUR Series Subracks



19"CUR chassis



19"CUR chassis Unshielded Protection

- Difference between 19" CUR chassis and 19" CUR subrack: Front panel is aluminum profile. The case is covered with aluminum zinc plate
- Rear panel of the case is detachable, easy to install
- Standard 19" power supply or ATX power supply can be installed
- 1U, 2U, 3U, 4U, 84TE, suitable for board depth 220mm, 280mm, 340mm

Delivery includes

Item	Name	Qty	Model
1	Front panel	1	/
2	Base body	1	/
3	Rear panel	1	/
4	Cover plate	1	/
5	Assembly kit	1	/

Order information

Height	Width	Depth	Model	Order no
1U	84TE	220	Perforated	9184-22011
1U	84TE	220	Without holes	9184-22001
1U	84TE	280	Perforated	9184-28011
1U	84TE	280	Without holes	9184-28001
1U	84TE	340	Perforated	9184-34011
1U	84TE	340	Without holes	9184-34001
2U	84TE	280	Perforated	9284-28011
2U	84TE	280	Without holes	9284-28001
2U	84TE	340	Perforated	9284-34011
2U	84TE	340	Without holes	9284-34001
3U	84TE	280	Perforated	9384-28011
3U	84TE	280	Without holes	9384-28001
3U	84TE	340	Perforated	9384-34011
3U	84TE	340	Without holes	9384-34001
4U	84TE	280	Perforated	9484-28011
4U	84TE	280	Without holes	9484-28001
4U	84TE	340	Perforated	9484-34011
4U	84TE	340	Without holes	9484-34001

19"CUR Series Subracks



19"CUR Subrack accessory



Hanlbe

- Installed on the chassis front flange or chassis side panel

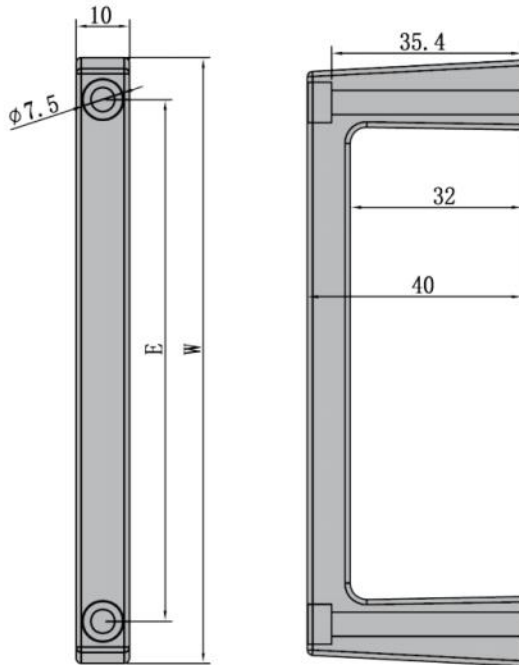
Delivery includes

Item Name Description

- | | | |
|---|--------|---|
| 1 | Handle | Front handle, extruded aluminum, anodized |
|---|--------|---|

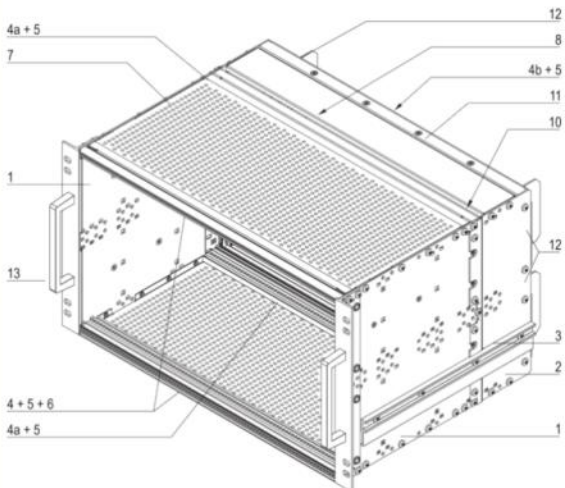
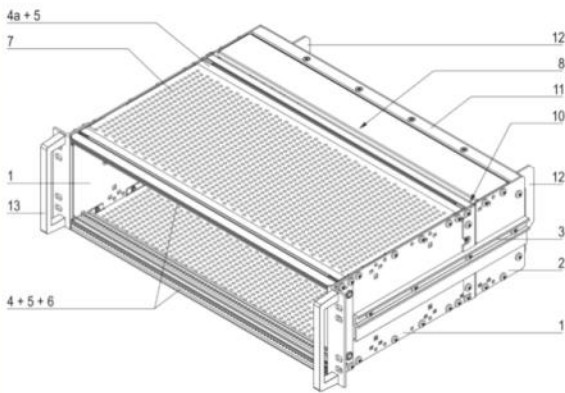
Order information

Height	W mm	E mm	Order no
1U	43	28	1030069
2U	71.01	52.8	1030070
3U	113	97.3	1030071
4U	157.45	141.8	1030072
5U	201.9	186.3	1030073



EK&EG PRO Series Subracks
 EK+MEG+ PRO Series Subracks
 BEK&BEG PRO Series Subracks
 Handle specification and accessories
 Guide rail specification and accessories
 19"CUR Series Subracks
 SNCF Series Subracks
 Shielded plug-in units Series Subracks
 VERO Series Subracks
 Protective Series Subracks
 CASE Series Subracks
 Type A Series Subracks
 Integrated Side-panel Series Subracks
 IN-S Series Subracks
 Subracks Accessories
 Panel component
 Order no. and page Table

SNCF Shielded Subracks



SNCF Subracks, Shielding Protection

- Tested according to NF F61-005 and NF F60-002 standards
- 3U, 6U, 21T, 320mm deep, for board depth 220mm
- 1T=4HP

Delivery Comprises(kit)

Item	3U Qty	6U Qty	Description
1	2	2	Side panel, 19" support bracket
2	2	2	Side panel extension
3	2	2	External guide rail
4	2	2	Front rails
4a	2	2	Rear rails
4b	-	1	Middle rails
5	4	6	Threaded insert
6	2	2	Perforated strip
7	2	2	EMC Cover plate
8	2	2	EMC Rear cover plate
9	1	1	EMC kit for gasketing
10	1	2	Backplane shielding kit
11	1	2	Rear frame
12	2	4	Protective bracket
13	2	2	Handles
14	1	1	Assembly part kit with self-locking screws

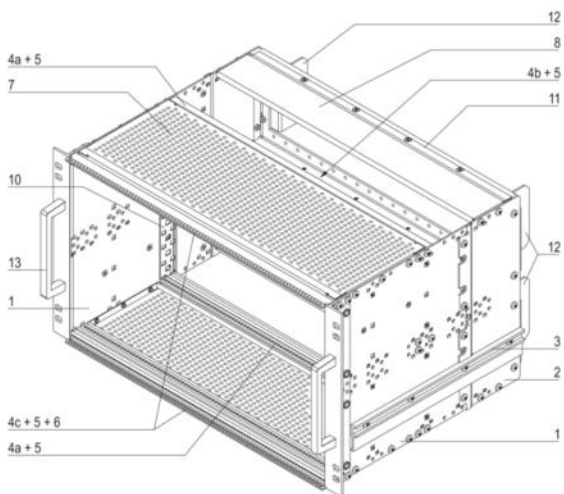
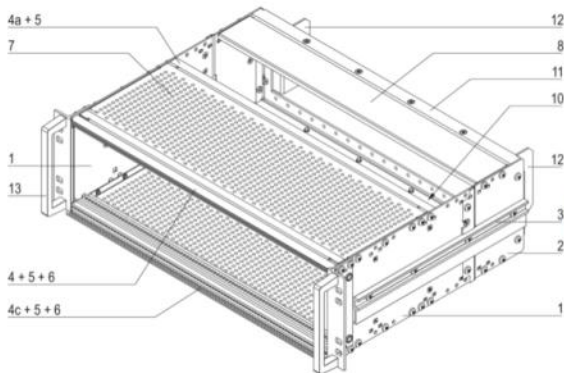
Order information

Height	Width	Depth	Order no
3U	84HP	320	83843201
6U	84HP	320	86843201

SNCF Series Subracks



SNCF CPCI Shielded Subracks



SNCF Subracks, CPCI Shielded Protection

- Tested according to NF F61-005 and NF F60-002 standards
- 3U, 6U, 21T, 320mm deep, for board depth 160mm
- Subracks compliant with IEEE 1101.10 standard for Compact PCI systems

Delivery Comprises(kit)

Item	3U Qty	6U Qty	Description
1	2	2	Side panel, 19" support bracket
2	2	2	Side panel extension
3	2	2	External guide rail
4	1	-	Front rails
4a	2	2	Rear rails
4b	-	1	Middle rails
4c	1	2	Front horizontal Rail
5	4	6	Threaded insert
6	2	2	Perforated strip
7	2	2	EMC Cover plate
8	2	2	EMC Rear cover plate
9	1	1	EMC kit for gasketing
10	1	2	Backplane shielding kit
11	1	2	Rear frame
12	2	4	Protective bracket
13	2	2	Handles
14	1	1	Assembly part kit with self-locking screws

Order information

H Height	HP Width	Depth mm	Order no
3U	84HP	320	83843202
6U	84HP	320	86843202

Subracks mounting accessories (optional)

Item	Description	Order no
1	ESD clips for guide rails	1010003
2	ESD clips for alignment pin of the CompactPCI/VME64X handles	1010001
3	Pan head screw with Torx M2.5X10	1004014
4	CompactPCI/VME64x System Board Guide rail, Comply with IEEE1101.10/11 standard, The slot is 2mm wide, and can be installed with microswitch and anti misplug coding key. It is used to install the card with 160mm depth, red	1001020
5	CompactPCI/VME64x System Board Guide rail, Comply with IEEE1101.10/11 standard, The slot is 2mm wide, and can be installed with microswitch and anti misplug coding key. It is used to install the card with 160mm depth, Grey	1001118
6	CompactPCI/VME64x System Board Guide rail, Comply with IEEE1101.10/11 standard, The slot is 2mm wide, and can be installed with microswitch and anti misplug coding key. It is used to install the card with 162mm depth, Green	1001117

SNCF Series Subracks



SNCF Unshielded Subracks

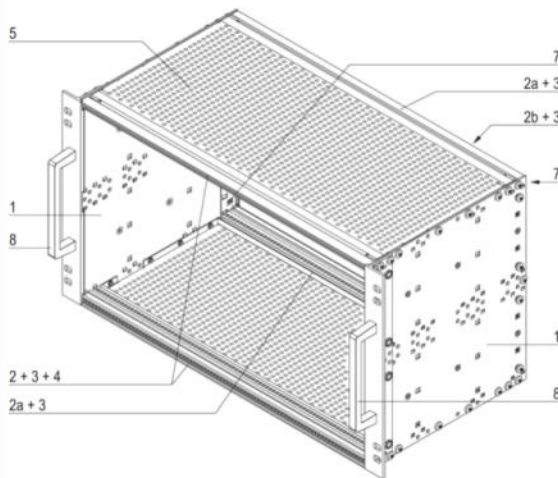
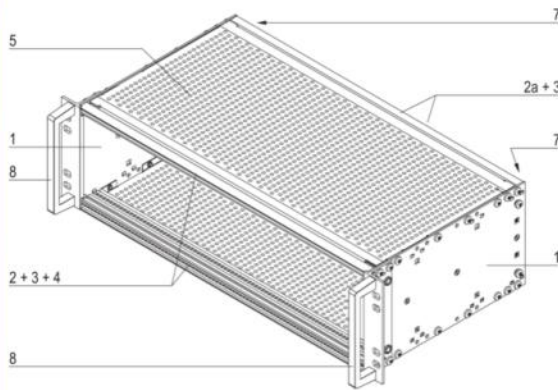


SNCF Subracks, Unshielded protect

- Tested according to EN 50155 standard
- 3U, 6U, 84HP, 235mm deep, for board depth 220mm

Delivery Comprises(kit)

Item	3U Qty	6U Qty	Description
1	2	2	Side panel, 19" support bracket
2	2	2	Front rails
2a	2	2	Rear rails
2b	-	1	Middle rails
3	4	6	Threaded insert
4	2	2	Perforated strip
5	2	2	Cover plate
6	1	1	Shielding tape
7	1	2	Shielding tape, Shielding protection for backplane
8	2	2	Handles
9	1	1	Assembly part kit with self-locking screws



Order information

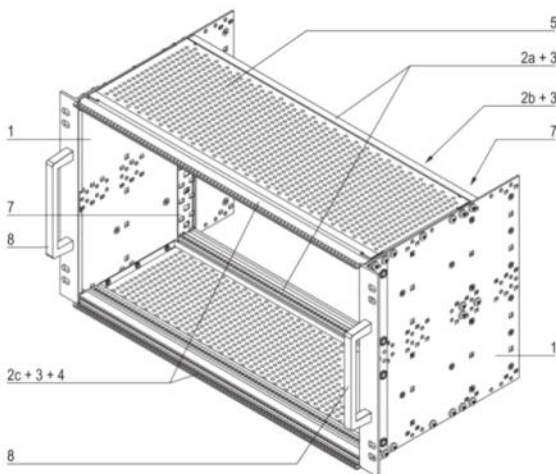
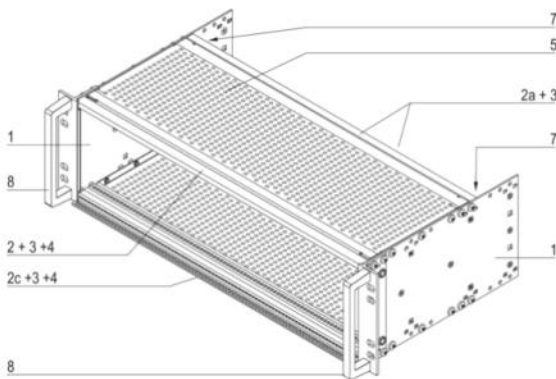
Height	Width	Depth mm	Order no
3U	84HP	235	83842353
6U	84HP	235	86842353

EK&EG PRO Series Subracks
 EK&EG+ PRO Series Subracks
 BEK&BEG PRO Series Subracks
 Handle specification and accessories
 Guide rail specification and accessories
 19" CUR Series Subracks
 SNCF Series Subracks
 Shielded plug-in units Series Subracks
 VERO Series Subracks
 Protective Series Subracks
 CASE Series Subracks
 Type A Series Subracks
 Integrated Side panel Series Subracks
 IN-S Series Subracks
 Subracks Accessories
 Panel component
 Order no. and page Table

SNCF Series Subracks



SNCF EMC Shielded Subracks



SNCF Subracks, EMC Shielded Protection

- Tested according to NF F61-005 and NF F60-002 standards
- 3U, 6U, 84HP, 235mm deep, for board depth 160mm
- Subracks compliant with IEEE 1101.10 standard for CompactCPI systems

Delivery Comprises(kit)

Item	3U Qty	6U Qty	Description
1	2	2	Side panel, 19" support bracket
2	1	-	Front rails
2a	2	2	Rear rails
2b	-	1	Middle rails
2c	1	2	Front rails
3	4	6	Threaded insert
4	2	2	Perforated strip
5	2	2	Cover plate
6	1	1	Shielding tape
7	1	2	Shielding tape, Shielding protection for backplane
8	2	2	Handles
9	1	1	Assembly part kit with self-locking screws

Order information

H Height	HP Width	Depthmm	Order no
3U	84HP	320	83842354
6U	84HP	320	86842354

EK&EG PRO Series Subracks
 EK&EG+ PRO Series Subracks
 BEK&BEG PRO Series Subracks
 Handle specification and accessories
 Guide rail specification and accessories
 19" CUR Series Subracks
 SNCF Series Subracks
 Shielded plug-in units Series subracks
 VERO Series Subracks
 Protective Series Subracks
 CASE Series Subracks
 Type A Series Subracks
 Integrated Side panel Series Subracks
 IN-S Series Subracks
 Subracks Accessories
 Panel component
 Order no. and page Table

Shielded plug-in units Series Subracks



Physically protected Shielded plug-in units



3U Physically protected Shielded plug-in units

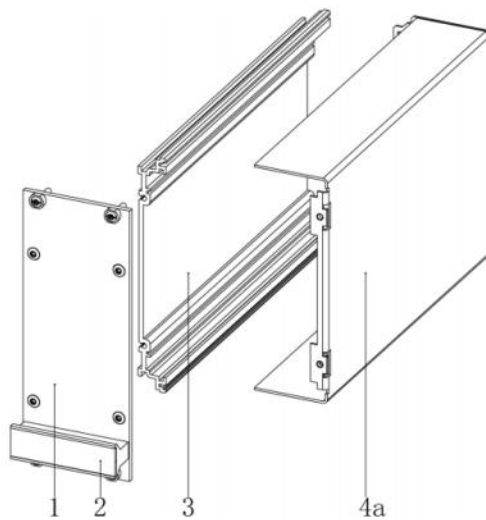
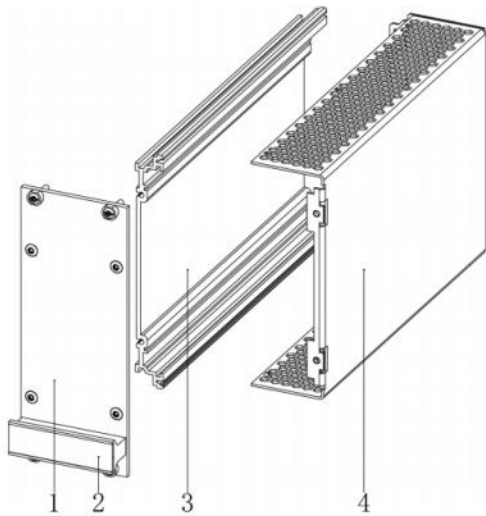
- For circuit board protection against physical damage and mechanical damage
- Front panel is shielded or unshielded
- Suitable for Subrack cases and instrument cases
- Use PCB board size: 100x160 or 100x220
- When using this Shielded plug-in units, the type of connector should comply with EN 60603 (DIN 41612), types: B, C, D, F, H, R standard
- The height of the components on the PCB is <math>< 8.5\text{mm}</math> when the 5HP module box is selected

Delivery includes

Item	Qty	Description
1	1	Shielded: front panel with slots for contact strips
2	1	Handle, aluminum
3	1	Side panel, aluminum
4	1	Cover plate, aluminum, 1mm, Perforated
4a	1	Cover plate, aluminum, 1mm, Without holes
5	1	Assembly part kit with self-locking screws

Order information

Width A HP	Description	Model	Order no (Depth 167mm)	Order no (Depth 227mm)
5	Shielded	Perforated	30516711	30522711
5	Shielded	Without holes	30516701	30522701
6	Shielded	Perforated	30616711	30622711
6	Shielded	Without holes	30616701	30622701
7	Shielded	Perforated	30716711	30722711
7	Shielded	Without holes	30716701	30722701
8	Shielded	Perforated	30816711	30822711
8	Shielded	Without holes	30816701	30822701
10	Shielded	Perforated	31016711	31022711
10	Shielded	Without holes	31016701	31022701
12	Shielded	Perforated	31216711	31222711
12	Shielded	Without holes	31216701	31222701
14	Shielded	Perforated	31416711	31422711
14	Shielded	Without holes	31416701	31422701
21	Shielded	Perforated	32116711	32122711
21	Shielded	Without holes	32116701	32122701
28	Shielded	Perforated	32816711	32822711
28	Shielded	Without holes	32816701	32822701
42	Shielded	Perforated	34216711	34222711
42	Shielded	Without holes	34216701	34222701

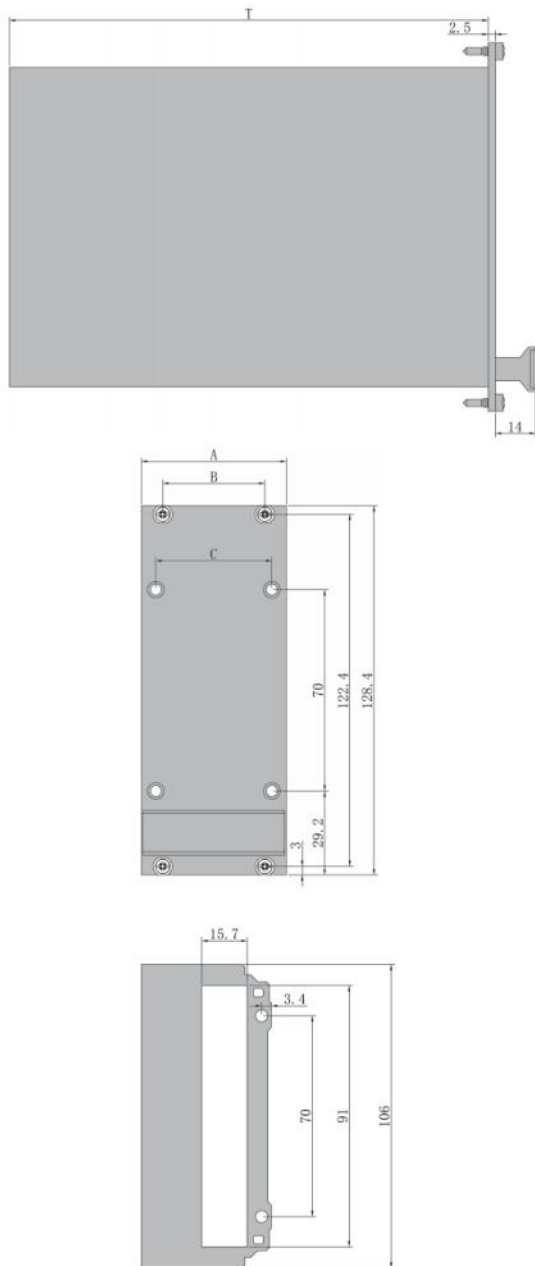


Shielded plug-in units Series Subracks



Physically protected Shielded plug-in units

Cut-Size



Order information

Width A HP	Description	Model	Order no T (Depth167mm)	Order no T (Depth227mm)
5	Unshielded	Perforated	30516710	30522710
5	Unshielded	Without holes	30516700	30522700
6	Unshielded	Perforated	30616710	30622710
6	Unshielded	Without holes	30616700	30622700
7	Unshielded	Perforated	30716710	30722710
7	Unshielded	Without holes	30716700	30722700
8	Unshielded	Perforated	30816710	30822710
8	Unshielded	Without holes	30816700	30822700
10	Unshielded	Perforated	31016710	31022710
10	Unshielded	Without holes	31016700	31022700
12	Unshielded	Perforated	31216710	31222710
12	Unshielded	Without holes	31216700	31222700
14	Unshielded	Perforated	31416710	31422710
14	Unshielded	Without holes	31416700	31422700
21	Unshielded	Perforated	32116710	32122710
21	Unshielded	Without holes	32116700	32122700
28	Unshielded	Perforated	32816710	32822710
28	Unshielded	Without holes	32816700	32822700
42	Unshielded	Perforated	34216710	34222710
42	Unshielded	Without holes	34216700	34222700

EK&EG PRO
Series Subracks

EK&EG+ PRO
Series Subracks

BEK&BEG PRO
Series Subracks

Handle
specification
and accessories

Guide rail
specification
and accessories

19"CUR
Series Subracks

SNCF
Series Subracks

Shielded
plug-in units
Series Subracks

VERO
Series Subracks

Protective
Series Subracks

CASE
Series Subracks

Type A
Series Subracks

Integrated
Slide-panel
Series Subracks

IN-S
Series Subracks

Subracks
Accessories

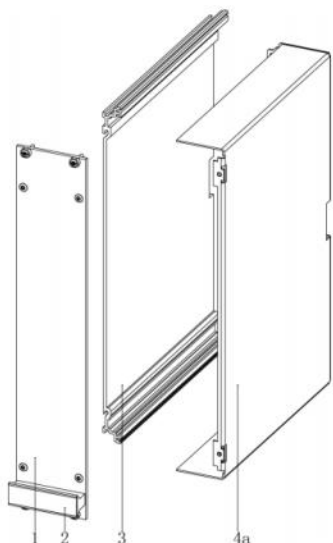
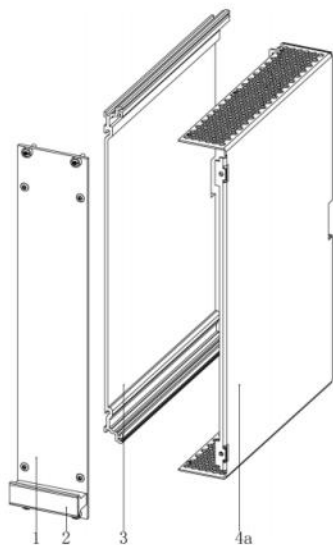
Panel
component

Order no.
and page Table

Shielded plug-in units Series Subracks



Physically protected Shielded plug-in units



6U Physically protected Shielded plug-in units

- For circuit board protection against physical damage and mechanical damage
- Front panel is shielded or unshielded
- Suitable for Subrack cases and instrument cases
- Use PCB board size: 100x160 or 100x220
- When using this Shielded plug-in units, the type of connector should comply with EN 60603 (DIN 41612), types: B, C, D, F, H, R standard
- The height of the components on the PCB is <8.5mm when the 5HP module box is selected

Delivery includes

Item	Qty	Description
1	1	Shielded: front panel with slots for contact strips
2	1	Handle, aluminum
3	1	Side panel, aluminum
4	1	Cover plate, aluminum, 1mm, Perforated
4a	1	Cover plate panel, aluminum, 1mm, Without holes
5	1	Assembly part kit with self-locking screws

Order information

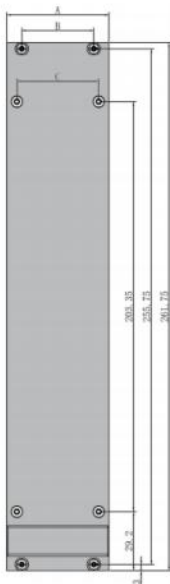
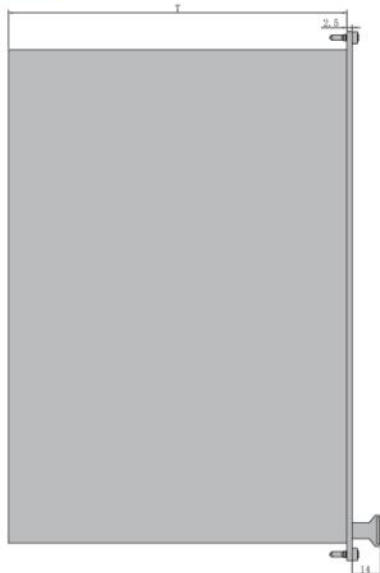
Width A HP	Description	Model	Order no (Depth 167mm)	Order no (Depth 227mm)
5	Shielded	Perforated	60516711	60522711
5	Shielded	Without holes	60516701	60522701
6	Shielded	Perforated	60616711	60622711
6	Shielded	Without holes	60616701	60622701
7	Shielded	Perforated	60716711	60722711
7	Shielded	Without holes	60716701	60722701
8	Shielded	Perforated	60816711	60822711
8	Shielded	Without holes	60816701	60822701
10	Shielded	Perforated	61016711	61022711
10	Shielded	Without holes	61016701	61022701
12	Shielded	Perforated	61216711	61222711
12	Shielded	Without holes	61216701	61222701
14	Shielded	Perforated	61416711	61422711
14	Shielded	Without holes	61416701	61422701
21	Shielded	Perforated	62116711	62122711
21	Shielded	Without holes	62116701	62122701
28	Shielded	Perforated	62816711	62822711
28	Shielded	Without holes	62816701	62822701
42	Shielded	Perforated	64216711	64222711
42	Shielded	Without holes	64216701	64222701

Shielded plug-in units Series Subracks



Physically protected Shielded plug-in units

Cut-Size



Order information

Width A HP	Description	Model	Order no T (Depth167mm)	Order no T (Depth227mm)
5	Unshielded	Perforated	60516710	60522710
5	Unshielded	Without holes	60516700	60522700
6	Unshielded	Perforated	60616710	60622710
6	Unshielded	Without holes	60616700	60622700
7	Unshielded	Perforated	60716710	60722710
7	Unshielded	Without holes	60716700	60722700
8	Unshielded	Perforated	60816710	60822710
8	Unshielded	Without holes	60816700	60822700
10	Unshielded	Perforated	61016710	61022710
10	Unshielded	Without holes	61016700	61022700
12	Unshielded	Perforated	61216710	61222710
12	Unshielded	Without holes	61216700	61222700
14	Unshielded	Perforated	61416710	61422710
14	Unshielded	Without holes	61416700	61422700
21	Unshielded	Perforated	62116710	62122710
21	Unshielded	Without holes	62116700	62122700
28	Unshielded	Perforated	62816710	62822710
28	Unshielded	Without holes	62816700	62822700
42	Unshielded	Perforated	64216710	64222710
42	Unshielded	Without holes	64216700	64222700

EK&EG PRO Series Subracks
EK+MEG+ PRO Series Subracks
BEM&BEG PRO Series Subracks
Handle specification and accessories
Guide rail specification and accessories
19" CUR Series Subracks
SNCF Series Subracks
Shielded plug-in units Series Subracks
VERO Series Subracks
Protective Series Subracks
CASE Series Subracks
Type A Series Subracks
Integrated Side panel Series Subracks
IN-S Series Subracks
Subracks Accessories
Panel component
Order no. and page Table

Framing shielded plug-in units



3U Framing shielded plug-in units

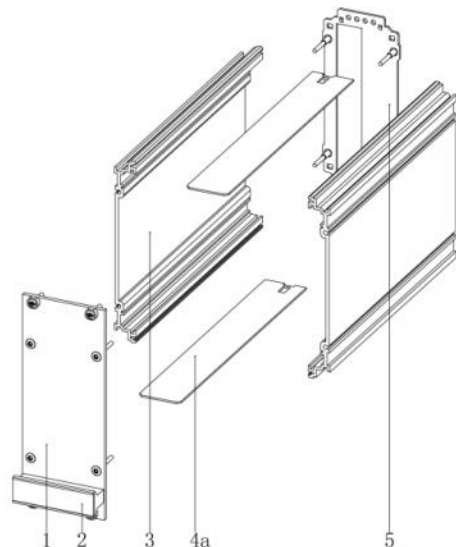
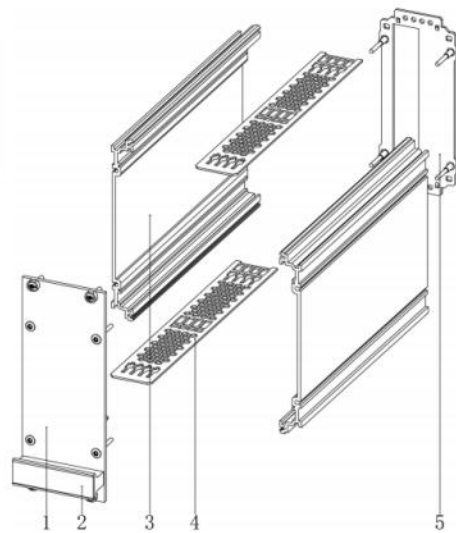
- For circuit board protection against physical damage and mechanical damage
- Front panel is shielded or unshielded
- Suitable for Subrack cases and instrument cases
- Use PCB board size: 100x160 or 100x220
- When using this Shielded plug-in units, the type of connector should comply with EN 60603 (DIN 41612), types: B, C, D, F, H, R standard

Delivery includes

Item	Qty	Description
1	1	Shielded: front panel with slots for contact strips
2	1	Handle, aluminum
3	1	Side panel, aluminum
4	1	Cover plate, aluminum, 1mm, Perforated
4a	1	Cover plate, aluminum, 1mm, Without holes
5	1	Rear panel, aluminum, 1.5mm
6	1	Assembly part kit with self-locking screws

Order information

Width A HP	Description	Model	Order no (Depth 167mm)	Order no (Depth 227mm)
7	Shielded	Perforated	30716731	30722731
7	Shielded	Without holes	30716721	30722721
8	Shielded	Perforated	30816731	30822731
8	Shielded	Without holes	30816721	30822721
10	Shielded	Perforated	31016731	31022731
10	Shielded	Without holes	31016721	31022721
12	Shielded	Perforated	31216731	31222731
12	Shielded	Without holes	31216721	31222721
14	Shielded	Perforated	31416731	31422731
14	Shielded	Without holes	31416721	31422721
21	Shielded	Perforated	32116731	32122731
21	Shielded	Without holes	32116721	32122721
28	Shielded	Perforated	32816731	32822731
28	Shielded	Without holes	32816721	32822721
42	Shielded	Perforated	34216731	34222731
42	Shielded	Without holes	34216721	34222721

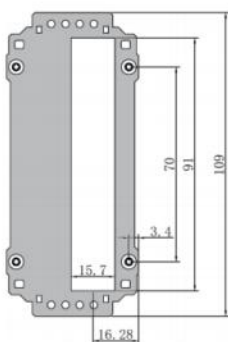
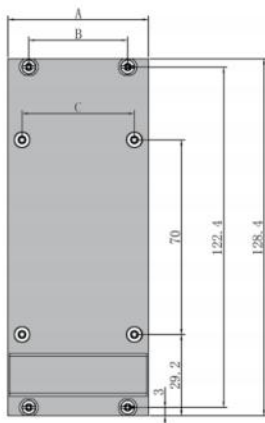
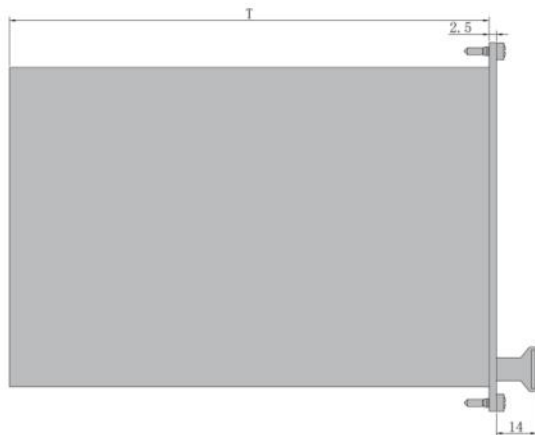


Shielded plug-in units Series Subracks



Framing shielded plug-in units

Cut-Size



Order information

Width A HP	Description	Model	Order no T (Depth167mm)	Order no T (Depth227mm)
7	Unshielded	Perforated	30716730	30722730
7	Unshielded	Without holes	30716720	30722720
8	Unshielded	Perforated	30816730	30822730
8	Unshielded	Without holes	30816720	30822720
10	Unshielded	Perforated	31016730	31022730
10	Unshielded	Without holes	31016720	31022720
12	Unshielded	Perforated	31216730	31222730
12	Unshielded	Without holes	31216720	31222720
14	Unshielded	Perforated	31416730	31422730
14	Unshielded	Without holes	31416720	31422720
21	Unshielded	Perforated	32116730	32122730
21	Unshielded	Without holes	32116720	32122720
28	Unshielded	Perforated	32816730	32822730
28	Unshielded	Without holes	32816720	32822720
42	Unshielded	Perforated	34216730	34222730
42	Unshielded	Without holes	34216720	34222720

EK&EG PRO Series Subracks
 EK&EG+PRO Series Subracks
 BEK&BEG PRO Series Subracks
 Handle specification and accessories
 Guide rail specification and accessories
 19" CUR Series Subracks
 SNCF Series Subracks
 Shielded plug-in units Series Subracks
 VERO Series Subracks
 Protective Series Subracks
 CASE Series Subracks
 Type A Series Subracks
 Integrated Side-panel Series Subracks
 IN-S Series Subracks
 Subracks Accessories
 Panel component
 Order no. and page Table

Framing shielded plug-in units



6U Framing shielded plug-in units

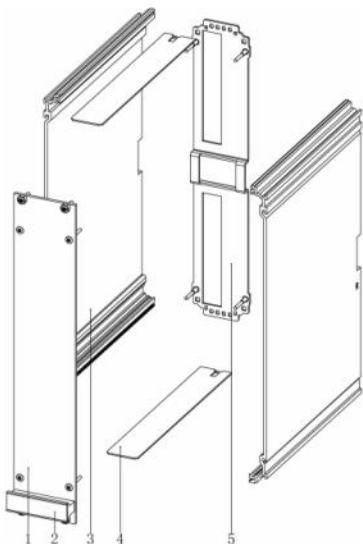
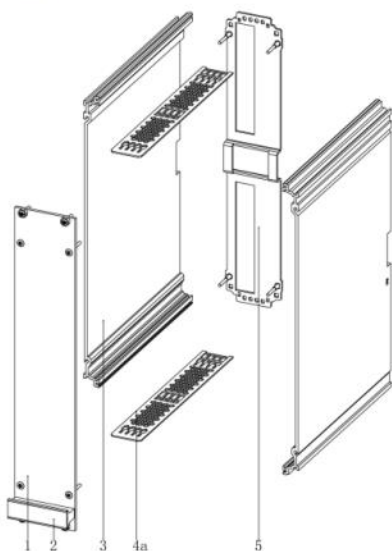
- For circuit board protection against physical damage and mechanical damage
- Front panel is shielded or unshielded
- Suitable for Subrack cases and instrument cases
- Use PCB board size: 100x160 or 100x220
- When using this Shielded plug-in units, the type of connector should comply with EN 60603 (DIN 41612), types: B,C,D,F,H,R standard

Delivery includes

Item	Qty	Description
1	1	Shielded: front panel with slots for contact strips
2	1	Handle, aluminum
3	1	Side panel, aluminum
4	1	Cover plate, aluminum, 1mm, Perforated
4a	1	Cover plate, aluminum, 1mm, Without holes
5	1	Rear panel, aluminum, 1.5mm
6	1	Assembly part kit with self-locking screws

Order information

Width	Description	Model	Order no	Order no
A HP			(Depth 167mm)	(Depth 227mm)
7	Shielded	Perforated	60716731	60722731
7	Shielded	Without holes	60716721	60722721
8	Shielded	Perforated	60816731	60822731
8	Shielded	Without holes	60816721	60822721
10	Shielded	Perforated	61016731	61022731
10	Shielded	Without holes	61016721	61022721
12	Shielded	Perforated	61216731	61222731
12	Shielded	Without holes	61216721	61222721
14	Shielded	Perforated	61416731	61422731
14	Shielded	Without holes	61416721	61422721
21	Shielded	Perforated	62116731	62122731
21	Shielded	Without holes	62116721	62122721
28	Shielded	Perforated	62816731	62822731
28	Shielded	Without holes	62816721	62822721
42	Shielded	Perforated	64216731	64222731
42	Shielded	Without holes	64216721	64222721

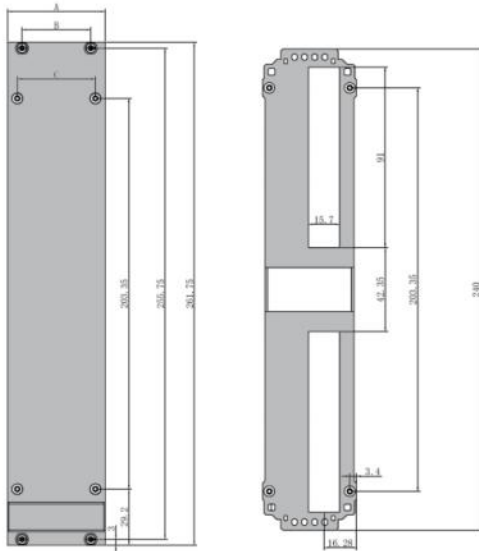
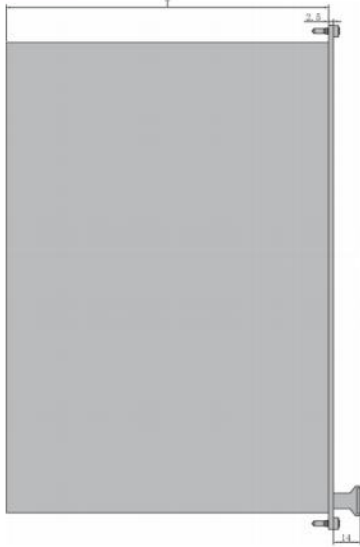


Shielded plug-in units Series Subracks



Framing shielded plug-in units

Cut-Size



Order information

Width A HP	Description	Model	Order no T (Depth167mm)	Order no T (Depth227mm)
7	Unshielded	Perforated	60716730	60722730
7	Unshielded	Without holes	60716720	60722720
8	Unshielded	Perforated	60816730	60822730
8	Unshielded	Without holes	60816720	60822720
10	Unshielded	Perforated	61016730	61022730
10	Unshielded	Without holes	61016720	61022720
12	Unshielded	Perforated	61216730	61222730
12	Unshielded	Without holes	61216720	61222720
14	Unshielded	Perforated	61416730	61422730
14	Unshielded	Without holes	61416720	61422720
21	Unshielded	Perforated	62116730	62122730
21	Unshielded	Without holes	62116720	62122720
28	Unshielded	Perforated	62816730	62822730
28	Unshielded	Without holes	62816720	62822720
42	Unshielded	Perforated	64216730	64222730
42	Unshielded	Without holes	64216720	64222720

EK&EG PRO
Series Subracks

EK+MEG+PRO
Series Subracks

BEK&BEG PRO
Series Subracks

Handle
specification
and accessories

Guide rail
specification
and accessories

19"CUR
Series Subracks

SNCF
Series Subracks

Shielded
plug-in units
Series Subracks

VERO
Series Subracks

Protective
Series Subracks

CASE
Series Subracks

Type A
Series Subracks

Integrated
Side-panel
Series Subracks

IN-S
Series Subracks

Subracks
Accessories

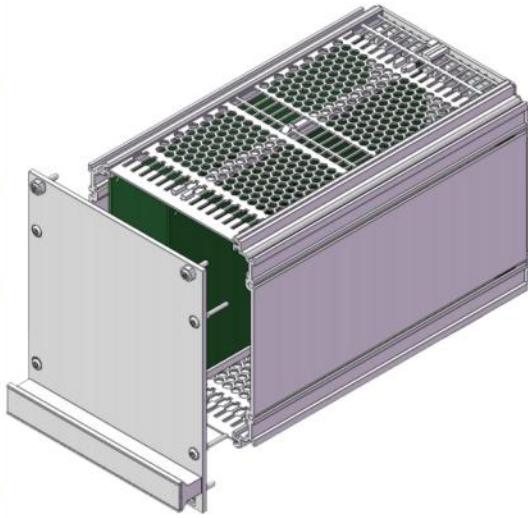
Panel
component

Order no.
and page Table

Shielded plug-in units Series Subracks



Series Subracks with Framed Multi Board Cards



3U Series Subracks with Framed Multi Board Cards

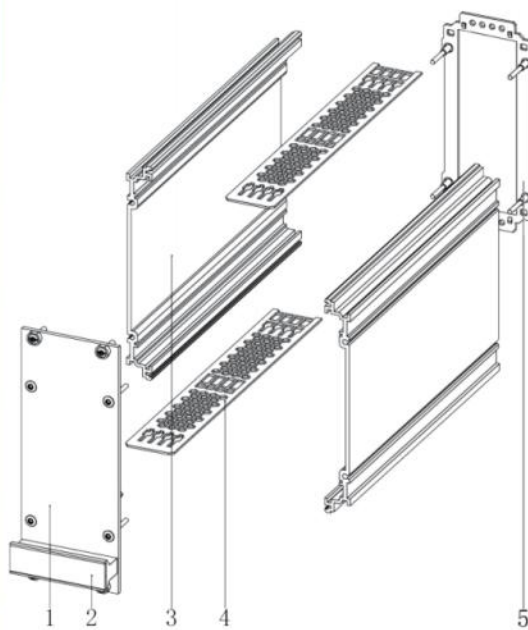
- Prevent PCB from mechanical damage and static accumulation;
- Applicable to European plate specifications; Paired with panels with multiple connector openings
- A board without a rear connector requires a guide rail (part number 1001169) and "required card fasteners for slot 2" (part number rear panel fastener 1015026+screw part number 1004241), which already includes a PCB fixing device (see page 108 for details of the PCB fixing device)

Delivery includes

Item	Qty	Description
1	1	Shielded plug-in units Series Subracks front panel, shielded or unshielded protection
2	1	Pulling handle, aluminum
3	2	Side panel, aluminum profile
4	2	Cover plate, aluminum, 1mm, with perforations and ventilation holes
5	1	Rear panel, aluminum, 1.5mm, with openings suitable for multiple connectors
6	1	Assembly components, including assembly screws and PCB fixing devices PCB fixing device: includes 2 guide rails, 2 2-slot PCB mounting brackets, and a PCB rear fixing block for slot 1 (the PCB rear fixing block is divided into two types: PCB fixing block plastic parts and PCB upper and lower fixing block die-casting parts, which customers can choose from at will)

Order information

Width A	Description	Model	Model	Order no (Depth 167mm)	Order no (Depth 227mm)
8	Shielded	Plastic	Perforated	30836731	30832731
8	Shielded	Die-casting	Perforated	30846731	30842731
10	Shielded	Plastic	Perforated	31036731	31032731
10	Shielded	Die-casting	Perforated	31046731	31042731
12	Shielded	Plastic	Perforated	31236731	31232731
12	Shielded	Die-casting	Perforated	31246731	31242731
14	Shielded	Plastic	Perforated	31436731	31432731
14	Shielded	Die-casting	Perforated	31446731	31442731
21	Shielded	Plastic	Perforated	32136731	32132731
21	Shielded	Die-casting	Perforated	32146731	32142731
28	Shielded	Plastic	Perforated	32836731	32832731
28	Shielded	Die-casting	Perforated	32846731	32842731
42	Shielded	Plastic	Perforated	34236731	34232731
42	Shielded	Die-casting	Perforated	34246731	34242731

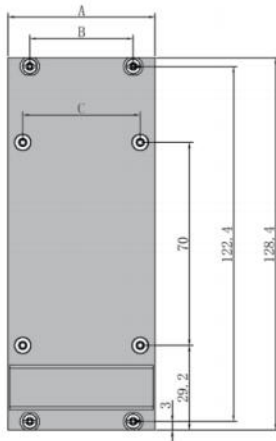
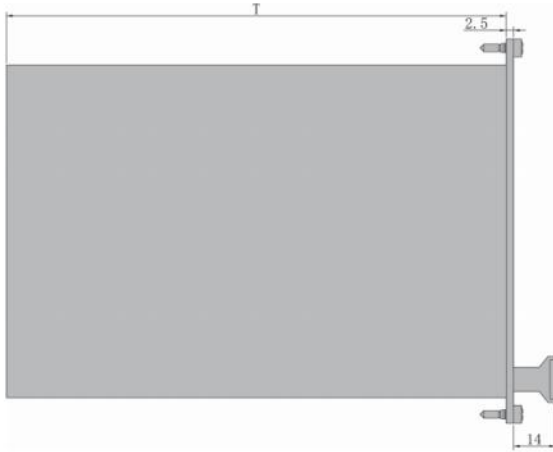


Shielded plug-in units Series Subracks



Series Subracks with Framed Multi Board Cards

Cut-Size



Order information

Width A HP	Description	Model Fixings	Model	Order no (Depth 167mm)	Order no (Depth 227mm)
8	Unshielded	Plastic	Perforated	30836730	30832730
8	Unshielded	Die-casting	Perforated	30846730	30842730
10	Unshielded	Plastic	Perforated	31036730	31032730
10	Unshielded	Die-casting	Perforated	31046730	31042730
12	Unshielded	Plastic	Perforated	31236730	31232730
12	Unshielded	Die-casting	Perforated	31246730	31242730
14	Unshielded	Plastic	Perforated	31436730	31432730
14	Unshielded	Die-casting	Perforated	31446730	31442730
21	Unshielded	Plastic	Perforated	32136730	32132730
21	Unshielded	Die-casting	Perforated	32146730	32142730
28	Unshielded	Plastic	Perforated	32836730	32832730
28	Unshielded	Die-casting	Perforated	32846730	32842730
42	Unshielded	Plastic	Perforated	34236730	34232730
42	Unshielded	Die-casting	Perforated	34246730	34242730

EK&EG PRO
Series Subracks

EK+&EG+ PRO
Series Subracks

BEM&BEG PRO
Series Subracks

Handle
specification
and accessories

Guide rail
specification
and accessories

19" CUR
Series Subracks

SNCF
Series Subracks

Shielded
plug-in units
Series Subracks

VERO
Series Subracks

Protective
Series Subracks

CASE
Series Subracks

Type A
Series Subracks

Integrated
Side-panel
Series Subracks

IN-S
Series Subracks

Subracks
Accessories

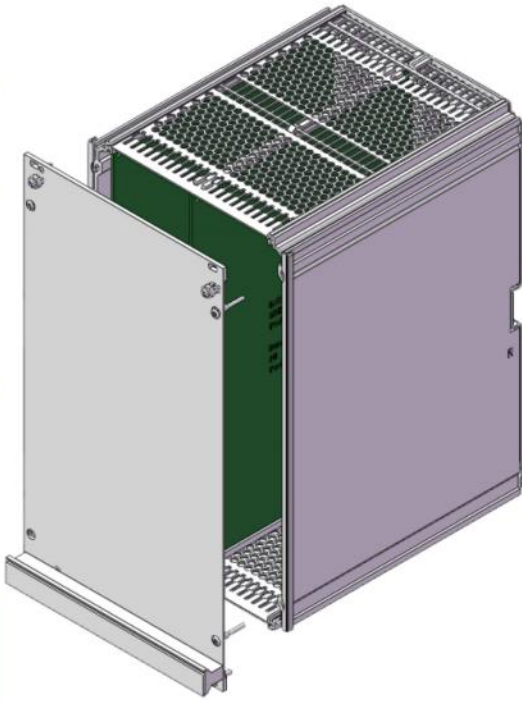
Panel
component

Order no.
and page Table

Shielded plug-in units Series Subracks



Series Subracks with Framed Multi Board Cards



6U Series Subracks with Framed Multi Board Cards

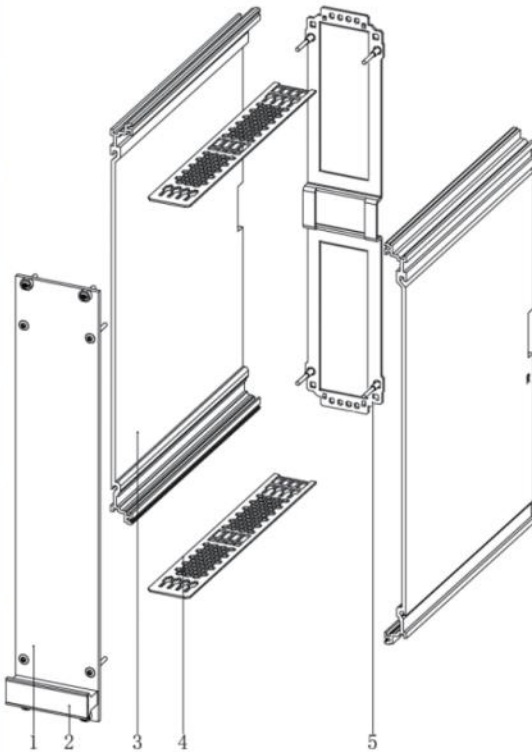
- Prevent PCB from mechanical damage and static accumulation;
- Applicable to European plate specifications; Paired with panels with multiple connector openings
- A board without a rear connector requires a guide rail (part number 1001169) and "required card fasteners for slot 2" (part number rear panel fastener 1015026+screw part number 1004241), which already includes a PCB fixing device (see page 108 for details of the PCB fixing device)

Delivery includes

Item	Qty	Description
1	1	Shielded plug-in units Series Subracks front panel, shielded or unshielded protection
2	1	Pulling handle, aluminum
3	2	Side panel, aluminum profile
4	2	Cover plate, aluminum, 1mm, with perforations and ventilation holes
5	1	Rear panel, aluminum, 1.5mm, with openings suitable for multiple connectors
6	1	Assembly components, including assembly screws and PCB fixing devices PCB fixing device: includes 2 guide rails, 2 2-slot PCB mounting brackets, and a PCB rear fixing block for slot 1 (the PCB rear fixing block is divided into two types: PCB fixing block plastic parts and PCB upper and lower fixing block die-casting parts, which customers can choose from at will)

Order information

Width A	Description	Model Fixings	Model	Order no (Depth 167mm)	Order no (Depth 227mm)
8	Shielded	Plastic	Perforated	60836731	60832731
8	Shielded	Die-casting	Perforated	60846731	60842731
10	Shielded	Plastic	Perforated	61036731	61032731
10	Shielded	Die-casting	Perforated	61046731	61042731
12	Shielded	Plastic	Perforated	61236731	61232731
12	Shielded	Die-casting	Perforated	61246731	61242731
14	Shielded	Plastic	Perforated	61436731	61432731
14	Shielded	Die-casting	Perforated	61446731	61442731
21	Shielded	Plastic	Perforated	62136731	62132731
21	Shielded	Die-casting	Perforated	62146731	62142731
28	Shielded	Plastic	Perforated	62836731	62832731
28	Shielded	Die-casting	Perforated	62846731	62842731
42	Shielded	Plastic	Perforated	64236731	64232731
42	Shielded	Die-casting	Perforated	64246731	64242731

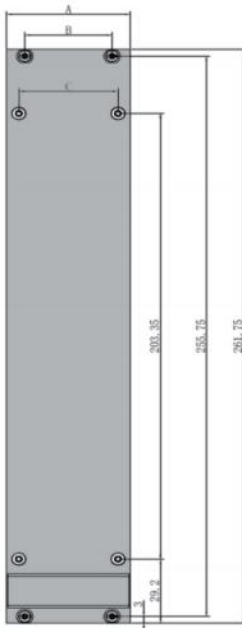
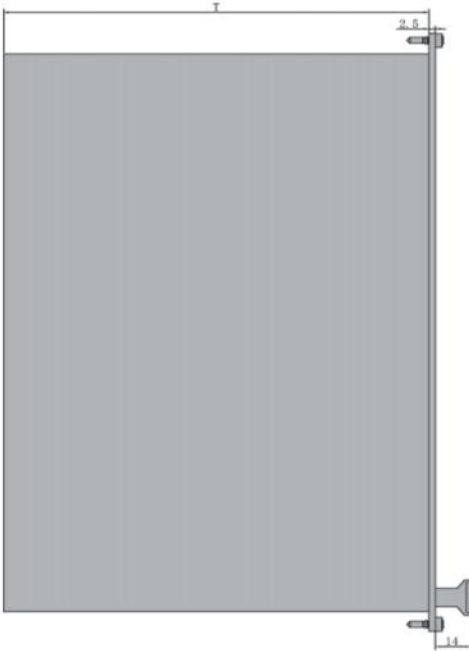


Shielded plug-in units Series Subracks



Series Subracks with Framed Multi Board Cards

Cut-Size



Order information

Width A HP	Description	Model Fixings	Model	Order no (Depth 167mm)	Order no (Depth 227mm)
8	Unshielded	Plastic	Perforated	60836730	60832730
8	Unshielded	Die-casting	Perforated	60846730	60842730
10	Unshielded	Plastic	Perforated	61036730	61032730
10	Unshielded	Die-casting	Perforated	61046730	61042730
12	Unshielded	Plastic	Perforated	61236730	61232730
12	Unshielded	Die-casting	Perforated	61246730	61242730
14	Unshielded	Plastic	Perforated	61436730	61432730
14	Unshielded	Die-casting	Perforated	61446730	61442730
21	Unshielded	Plastic	Perforated	62136730	62132730
21	Unshielded	Die-casting	Perforated	62146730	62142730
28	Unshielded	Plastic	Perforated	62836730	62832730
28	Unshielded	Die-casting	Perforated	62846730	62842730
42	Unshielded	Plastic	Perforated	64236730	64232730
42	Unshielded	Die-casting	Perforated	64246730	64242730

EK&EG PRO
Series Subracks

EK+&EG+PRO
Series Subracks

BEK&BEG PRO
Series Subracks

Handle
specification
and accessories

Guiderrail
specification
and accessories

19"CUR
Series Subracks

SNCF
Series Subracks

Shielded
plug-in units
Series Subracks

VERO
Series Subracks

Protective
Series Subracks

CASE
Series Subracks

Type A
Series Subracks

Integrated
Side-panel
Series Subracks

IN-S
Series Subracks

Subracks
Accessories

Panel
component

Order no.
and page Table

Shielded plug-in units accessories

Framing shielded plug-in units multiple PCB board installation components

- Suitable for installation of multi PCB boards with Shielded plug-in units width>7HP

Framing shielded plug-in units guide rail

- The guide rail can be installed on the cut-out upper and lower cover plates
- This device is required if the PCB is to be assembled from slot 2
- The guide rails are suitable for 167mm and 227 deep module boxes

PCB Up and down printed board

- The PCB is inserted into the rails of shielded plug-in units
- Secure when installing rear panel

PCB Rear printed board bracket

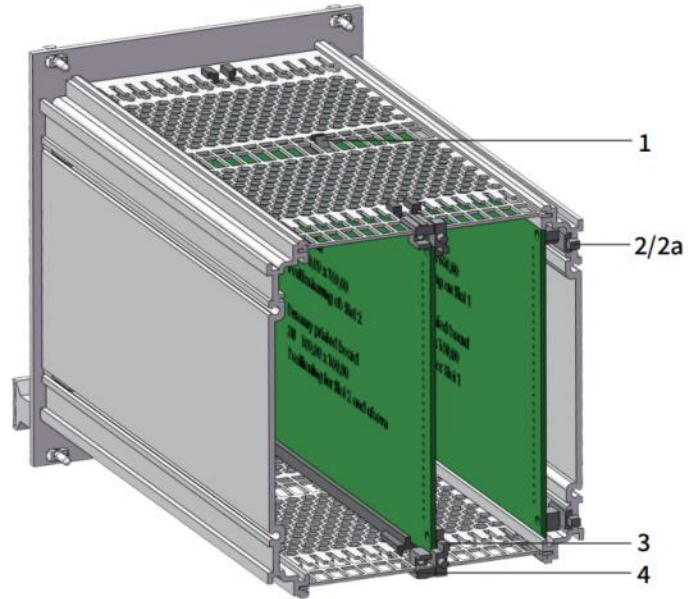
- Insert the PCB into the guide groove in the rear corner of the left or right board
- Secure when installing rear panel

Rear panel fasteners

- Cover for plug-in units with guide rail perforations
- For improved EMC contact between rear panel and cover

2-slot PCB board installation bracket

- Suitable for modular boxes with guide rails



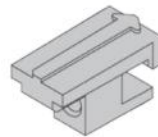
Framing shielded plug-in units guide rail



PCB Up and down printed board bracket



PCB Rear printed board bracket



Rear panel fasteners

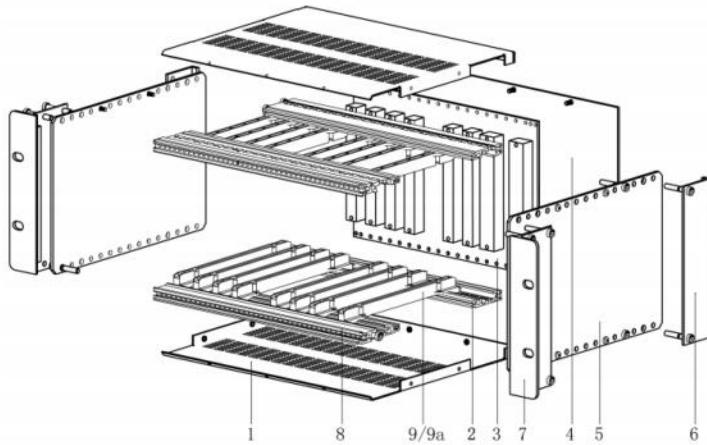


2-slot PCB board installation bracket

Delivery Comprises(kit)

Ltem	Name	Qty	Order no	Description
1	Framing shielded plug-in units guide rail	/	1001169	Fixed Shielded plug-in units PCB board, PBT, UL, 94, V-0, red
2	PCB Rear printed board bracket(Top)	1	1015018	Fix the PCB board on the side panel, plastic
2	PCB Rear printed board bracket(Bottom)	1	1015019	Fix the PCB board on the side panel, plastic
2a	PCB Up and down printed board bracket	1	1015022	Fix the PCB board on the side board and die-cast zinc
3	2-slot PCB board installation bracket(Top)	1	1015024	Fixed when installing the rear panel, die-cast zinc
3	2-slot PCB board installation bracket(Bottom)	1	1015024	Fixed when installing the rear panel, die-cast zinc
4	Rear panel fasteners	2	1015026	Used to connect the rear panel and cover plate, die-cast zinc

VERO Series Subracks



VERO Subracks

- Can be used to build CompactPCI system platforms with full mounting accessory support; for the application of mounting backplane or connector.

For rear panel installation, there is an insulating strip between the rear panel and the middle cross member; for connector installation, the connector type should comply with IEC60603-2/DIN 41612 standard.

Delivery Comprises(kit)

Item	Name	3U Qty	6U Qty	Model
1	Cover plate	2	2	/
2	Rear rails	2	2	/
3	Backplane	1	1	/
4	Rear panel	1	1	/
5	Side panel	2	2	/
6	Rear bracket	2	2	/
7	Front bracket	2	2	/
8	Front rails	2	2	/
9	Low guide rail	/	/	Choice
9a	High guide rail	/	/	Choice

Order information

H Height	W Width	D Depth	Model	Order no
3U	84TE	160	Perforated	31604202
3U	84TE	220	Perforated	32204202
4U	84TE	160	Perforated	41604212
4U	84TE	220	Perforated	42204213
6U	84TE	160	Perforated	61604212
6U	84TE	220	Perforated	62204213

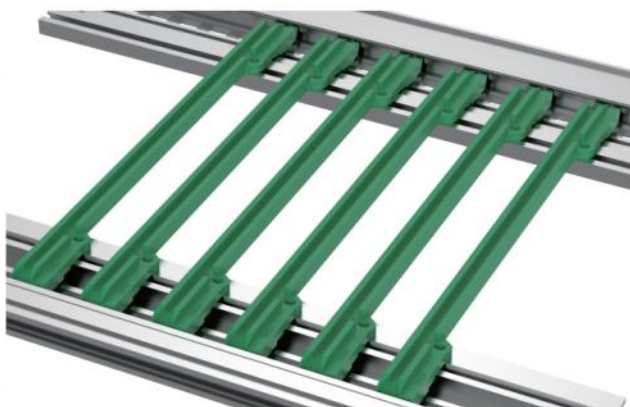
Order information

Name	W Width	Order no	Name	H Height	Order no
Front rails	42TE	0180001	Front bracket	3U	0280001
Front rails	63TE	0180011	Front bracket	4U	0280002
Front rails	84TE	0180009	Front bracket	6U	0280003
Rear rails	42TE	0180002	Rear bracket	3U	0280004
Rear rails	63TE	0180012	Rear bracket	4U	0280005
Rear rails	84TE	0180010	Rear bracket	6U	0280006

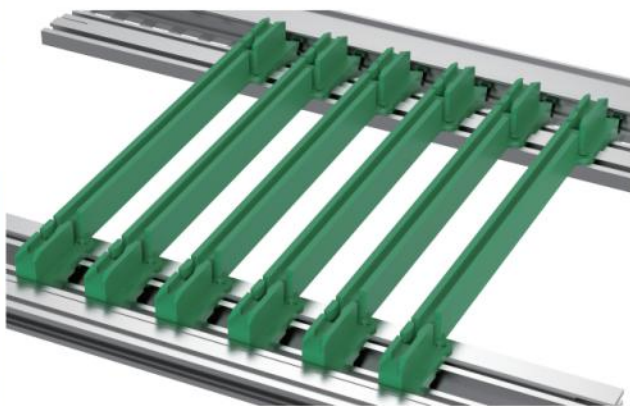
VERO Series Subracks



VERO Series Subracks



Low guide rail



High guide rail

Order information

Name	D Depth	Color	Colour code	Order no
High guide rail	160	Green	RAL6024	1001022
Low guide rail	160	Green	RAL6024	1001024
Low guide rail	220	Green	RAL6024	1001023

Order no. and page Table
Panel component
Subracks Accessories
IN-S Series Subracks
Integrated Side panel Series Subracks
Type A Series Subracks
CASE Series Subracks
Protective Series Subracks
VERO Series Subracks
Shielded plug-in units Series Subracks
SNCF Series Subracks
19" CUR Series Subracks
Guide rail specification and accessories
Handle specification and accessories
BEK&BEG PRO Series Subracks
EK&EG+ PRO Series Subracks
EK&EG PRO Series Subracks

VERO Shielded plug-in units

VERO 3U Shielded plug-in units

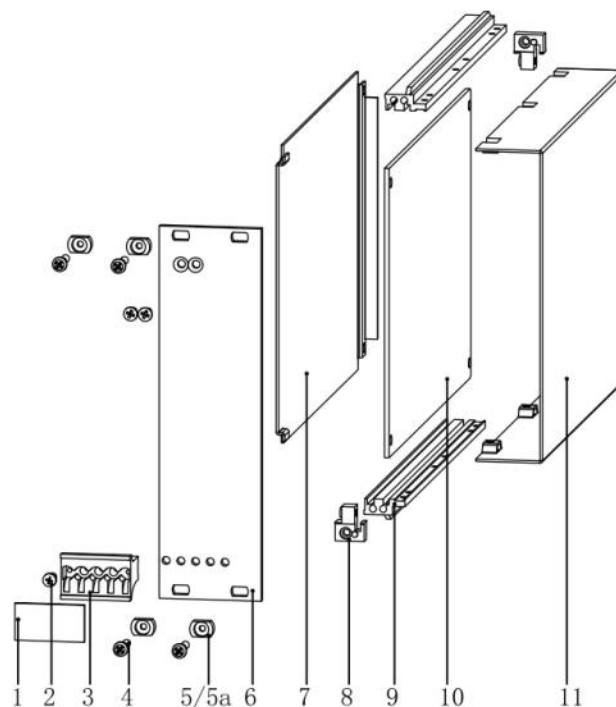
- For circuit board protection against physical damage and mechanical damage
- Front panel is shielded or unshielded
- Suitable for subrack cases and instrument cases

Delivery Comprises(kit)

Item	Name	3U Qty	Model
1	Scutcheon	1	/
2	Panel fixing screws	3	/
3	Black plastic handle	1	/
4	Captive screws	4	/
5	Metal sleeve plastic	4	/
5a	Metal sleeve Brass	4	/
6	Panel	1	/
7	Side panel	1	/
8	Printed board bracket	2	/
9	Guide rail	2	/
10	PCB Board	1	/
11	Cover plate	1	/

Order information

Width HP	Description	Model	Order no (Depth 167mm)	Order no (Depth 227mm)
5	Unshielded	Perforated	05316710	05322710
5	Unshielded	Without holes	05316700	05322700
6	Unshielded	Perforated	06316710	06322710
6	Unshielded	Without holes	06316700	06322700
7	Unshielded	Perforated	07316710	07322710
7	Unshielded	Without holes	07316700	07322700
8	Unshielded	Perforated	08316710	08322710
8	Unshielded	Without holes	08316700	08322700
10	Unshielded	Perforated	10316710	10322710
10	Unshielded	Without holes	10316700	10322700
12	Unshielded	Perforated	12316710	12322710
12	Unshielded	Without holes	12316700	12322700
14	Unshielded	Perforated	14316710	14322710
14	Unshielded	Without holes	14316700	14322700
21	Unshielded	Perforated	21316710	21322710
21	Unshielded	Without holes	21316700	21322700
28	Unshielded	Perforated	28316710	28322710
28	Unshielded	Without holes	28316700	28322700
42	Unshielded	Perforated	42316710	42322710
42	Unshielded	Without holes	42316700	42322700



Order information

Width HP	Description	Model	Order no (Depth 167mm)	Order no (Depth 227mm)
5	Shielded	Perforated	05316711	05322711
5	Shielded	Without holes	05316701	05322701
6	Shielded	Perforated	06316711	06322711
6	Shielded	Without holes	06316701	06322701
7	Shielded	Perforated	07316711	07322711
7	Shielded	Without holes	07316701	07322701
8	Shielded	Perforated	08316711	08322711
8	Shielded	Without holes	08316701	08322701
10	Shielded	Perforated	10316711	10322711
10	Shielded	Without holes	10316701	10322701
12	Shielded	Perforated	12316711	12322711
12	Shielded	Without holes	12316701	12322701
14	Shielded	Perforated	14316711	14322711
14	Shielded	Without holes	14316701	14322701
21	Shielded	Perforated	21316711	21322711
21	Shielded	Without holes	21316701	21322701
28	Shielded	Perforated	28316711	28322711
28	Shielded	Without holes	28316701	28322701
42	Shielded	Perforated	42316711	42322711
42	Shielded	Without holes	42316701	42322701

EK&EG PRO Series Subracks
 EK+EG+ PRO Series Subracks
 BEK&BEG PRO Series Subracks
 Handle specification and accessories
 Guide rail specification and accessories
 19"CUR Series Subracks
 SNCF Series Subracks
 Shielded plug-in units Series Subracks
 VERO Series Subracks
 Protective Series Subracks
 CASE Series Subracks
 Type A Series Subracks
 Integrated Side-panel Series Subracks
 IN-S Series Subracks
 Subracks Accessories
 Panel component
 Order no. and page Table

VERO Shielded plug-in units

VERO 6U Shielded plug-in units

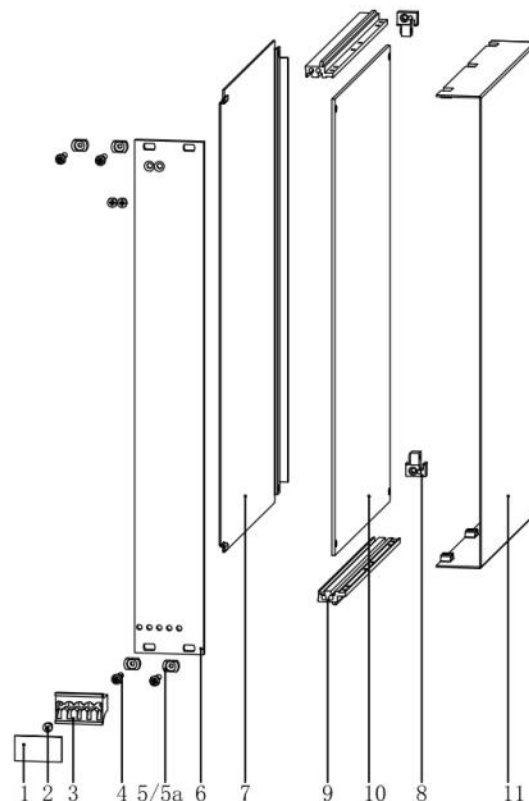
- For circuit board protection against physical damage and mechanical damage
- Front panel is shielded or unshielded
- Suitable for subrack cases and instrument cases

Delivery Comprises(kit)

Item	Name	3U Qty	Model
1	Scutcheon	1	/
2	Panel fixing screws	3	/
3	Black plastic handle	1	/
4	Captive screws	4	/
5	Metal sleeve plastic	4	/
5a	Metal sleeve Brass	4	/
6	Panel	1	/
7	Side panel	1	/
8	Printed board bracket	2	/
9	Guide rail	2	/
10	PCB Board	1	/
11	Cover plate	1	/

Order information

Width HP	Description	Model	Order no (Depth 167mm)	Order no (Depth 227mm)
5	Shielded Perforated	Perforated	05616711	05622711
5	Shielded Without holes	Without holes	05616701	05622701
6	Shielded Perforated	Perforated	06616711	06622711
6	Shielded Without holes	Without holes	06616701	06622701
7	Shielded Perforated	Perforated	07616711	07622711
7	Shielded Without holes	Without holes	07616701	07622701
8	Shielded Perforated	Perforated	08616711	08622711
8	Shielded Without holes	Without holes	08616701	08622701
10	Shielded Perforated	Perforated	10616711	10622711
10	Shielded Without holes	Without holes	10616701	10622701
12	Shielded Perforated	Perforated	12616711	12622711
12	Shielded Without holes	Without holes	12616701	12622701
14	Shielded Perforated	Perforated	14616711	14622711
14	Shielded Without holes	Without holes	14616701	14622701
21	Shielded Perforated	Perforated	21616711	21622711
21	Shielded Without holes	Without holes	21616701	21622701
28	Shielded Perforated	Perforated	28616711	28622711
28	Shielded Without holes	Without holes	28616701	28622701
42	Shielded Perforated	Perforated	42616711	42622711
42	Shielded Without holes	Without holes	42616701	42622701



Order information

Width HP	Description	Model	Order no (Depth 167mm)	Order no (Depth 227mm)
5	Unshielded Perforated	Perforated	05616710	05622710
5	Unshielded Without holes	Without holes	05616700	05622700
6	Unshielded Perforated	Perforated	06616710	06622710
6	Unshielded Without holes	Without holes	06616700	06622700
7	Unshielded Perforated	Perforated	07616710	07622710
7	Unshielded Without holes	Without holes	07616700	07622700
8	Unshielded Perforated	Perforated	08616710	08622710
8	Unshielded Without holes	Without holes	08616700	08622700
10	Unshielded Perforated	Perforated	10616710	10622710
10	Unshielded Without holes	Without holes	10616700	10622700
12	Unshielded Perforated	Perforated	12616710	12622710
12	Unshielded Without holes	Without holes	12616700	12622700
14	Unshielded Perforated	Perforated	14616710	14622710
14	Unshielded Without holes	Without holes	14616700	14622700
21	Unshielded Perforated	Perforated	21616710	21622710
21	Unshielded Without holes	Without holes	21616700	21622700
28	Unshielded Perforated	Perforated	28616710	28622710
28	Unshielded Without holes	Without holes	28616700	28622700
42	Unshielded Perforated	Perforated	42616710	42622710
42	Unshielded Without holes	Without holes	42616700	42622700

Protective Series Subracks



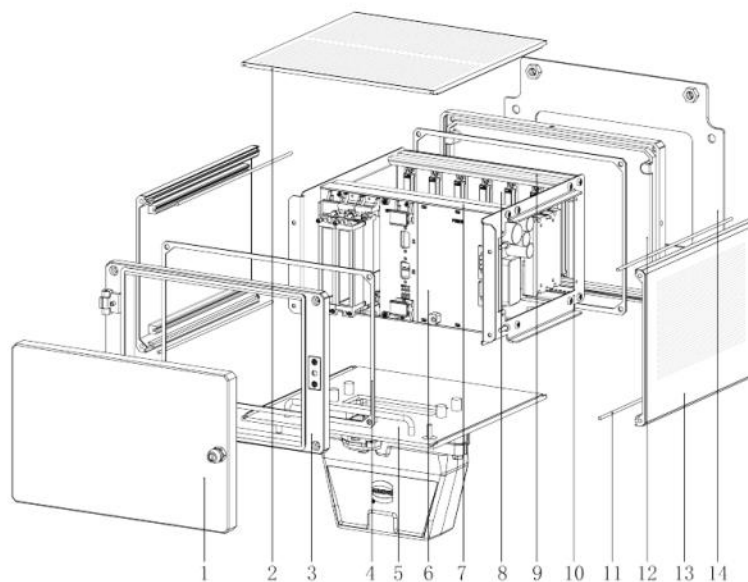
Protective Subracks

- The external and internal structure and installation dimensions of the subracks conform to the standards of GB/T19520 and GB/IEC60297.
- Equipped with Plexiglas door and lock, both dustproof and can protect the safety of internal components.
- Protective subracks can be divided into: hanging type, base type, wall-mounted type, desktop four installation methods, customers can choose different installation methods according to demands.
- It meets the standard of EN60529/IEC529, and the protection level is IP66 in the form of ventilation.
- Cabinet box, front door, back door color, size can be customized.



Delivery Comprises(kit)

Item	Name	Qty	Model
1	Front door	1	/
2	Cover plate (Top)	1	/
3	Front end cover plate	1	/
4	Cover plate gasket	2	/
5	Cover plate (Bottom)	1	/
6	Front panel	/	Choice
7	Front rails	2	/
8	Backplane	1	/
9	Rear rails	2	/
10	Inner side panel	2	/
11	Side panel gasket	4	/
12	Rear end cover plate	2	/
13	Left/right side panel	2	/
14	Adapter plate	1	/
15	Assembly components	1	/



EK&EG PRO Series Subracks
 EK+EG+ PRO Series Subracks
 BEK&BEG PRO Series Subracks
 Handle specification and accessories
 Guide rail specification and accessories
 19" CUR Series Subracks
 SNCF Series Subracks
 Shielded plug-in units Series Subracks
 VERO Series Subracks
Protective Series Subracks
 CASE Series Subracks
 Type A Series Subracks
 Integrated Side panel Series Subracks
 IN-S Series Subracks
 Subracks Accessories
 Panel component
 Order no. and page Table

Protective Series Subracks



Protective Subracks



Order information

Height	Width	Depth	Order no
3U	42TE	160	01316042
3U	42TE	220	01322042
3U	42TE	285	01328542
3U	63TE	160	01316063
3U	63TE	220	01322063
3U	63TE	285	01328563
3U	84TE	160	01316084
3U	84TE	220	01322084
3U	84TE	285	01328584
4U	42TE	160	01416042
4U	42TE	220	01422042
4U	42TE	285	01428542
4U	63TE	160	01416063
4U	63TE	220	01422063
4U	63TE	285	01428563
4U	84TE	160	01416084
4U	84TE	220	01422084
4U	84TE	285	01428584

EK&EG PRO Series Subracks

EK&EG+PRO Series Subracks

BEK&BEG PRO Series Subracks

Handle specification and accessories

Guide rail specification and accessories

19" CUR Series Subracks

SNCF Series Subracks

Shielded plug-in units Series Subracks

VERO Series Subracks

Protective Series Subracks

CASE Series Subracks

Type A Series Subracks

Integrated Side panel Series Subracks

IN-S Series Subracks

Subracks Accessories

Panel component

Order no. and page Table

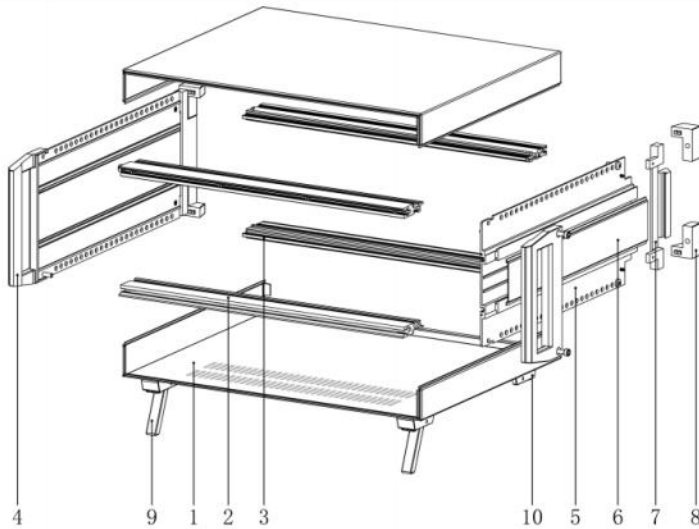
CASE Series Subracks



CASE Subrack

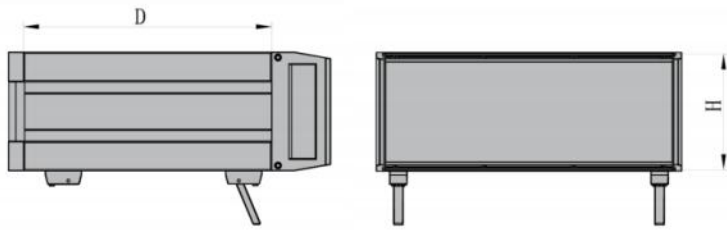


- Adopting the top and bottom cover insertion method, which makes the installation more concise and convenient.
- Can be applied to Compact PCI system platform construction, providing complete installation accessories support;
- IEC60603-2/DIN 41612 standard
- Custom colors available

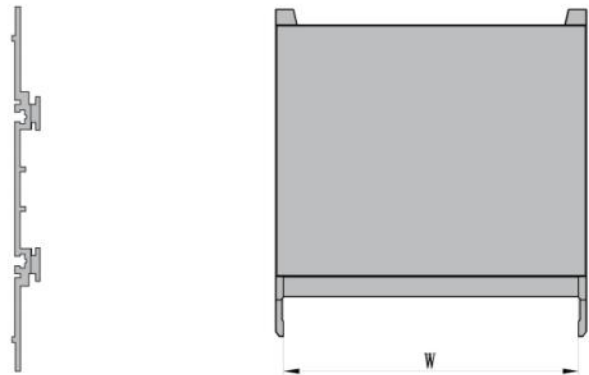


Delivery Comprises(kit)

Item	Name	Qty	Model
1	Cover plate	2	/
2	Front rails	2	/
3	Rear rails	2	/
4	Handle	2	/
5	Side panel	2	/
6	Side plate insert	2	/
7	Side panel rear connector	2	/
8	Rear printed board bracket	4	/



Section of left and right side plate profiles



Order information

Height H	Width W	Depth D 300mm	Depth D 400mm
3U	42TE	00330042	00340042
3U	63TE	00330063	00340063
3U	84TE	00330084	00340084
4U	42TE	00430042	00440042
4U	63TE	00430063	00440063
4U	84TE	00430084	00440084
6U	42TE	00630042	00640042
6U	63TE	00630063	00640063
6U	84TE	00630084	00640084

EKA&EG PRO Series Subracks
 EK+&EG+ PRO Series Subracks
 BEK&BEG PRO Series Subracks
 Handle specification and accessories
 Guide rail specification and accessories
 19" CLR Series Subracks
 SNCF Series Subracks
 Shielded plug-in units Series Subracks
 VERO Series Subracks
 Protective Series Subracks
 CASE Series Subracks
 Type A Series Subracks
 Integrated side-panel series subracks
 IN-S Series Subracks
 Subracks Accessories
 Panel component
 Order no. and page Table

CASE Series Subracks



CASE-I Subrack



- Adopting the insertion method of upper and lower cover plates makes installation more concise and convenient
- Can be applied to the construction of the CompactPCI system platform, providing complete installation attachment support
- IEC60603-2/DIN 41612 standard
- Colors can be customized

Accessories (Optional models)

Item	Name	Qty	Describe
1	Cover plate (Top)	2	Spray molded RAL7001, aluminum
2	Cover plate (Bottom)	2	Spray molded RAL7001, aluminum
3	Front and rear frames	1	Spray molded RAL7075, aluminum
4	Side panel	1	Including 4 M4 inserts, anodized
5	Assembly screws	1	According to the actual hole position of the chassis, complete the screws

Order information

	Height H	Width W	DepthD 331mm	DepthD 391mm
2U	42TE	01233142	01239142	
2U	63TE	01233163	01239163	
2U	84TE	01233184	01239184	
3U	42TE	01333142	01339142	
3U	63TE	01333163	01339163	
3U	84TE	01333184	01339184	
4U	42TE	01433142	01439142	
4U	63TE	01433163	01439163	
4U	84TE	01433184	01439184	
5U	42TE	01533142	01539142	
5U	63TE	01533163	01539163	
5U	84TE	01533184	01539184	
6U	42TE	01633142	01639142	
6U	63TE	01633163	01639163	
6U	84TE	01633184	01639184	

A Series Subracks



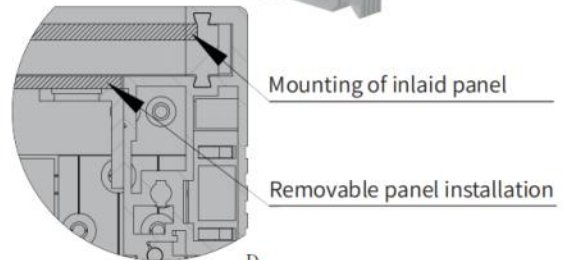
Type A-I Subrack

- The subrack is used as a desktop case
- The subrack is equipped with VC legs to prevent the chassis from sliding after stacking
- Composite standard plug-in box can be installed inside the chassis
- When supplying: the box has been partially assembled
- Standard: 60297-3
- When the non ventilated form is selected, the protection grade is IP42



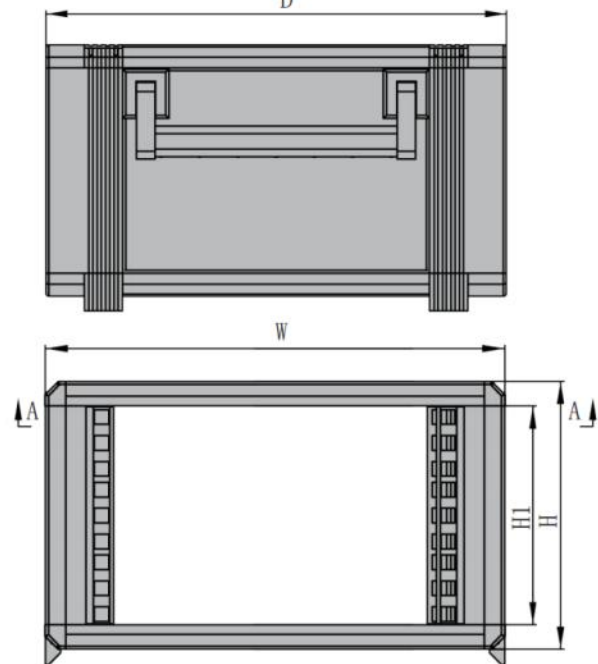
Material and finish

- Cover plate: 5052 aluminum plate, chromate passivation/painting
- Side plate: 6063 aluminum profile, painted
- Beam: 6063 aluminum profile, painted
- Installation angle rail: 6063 aluminum profile, chromate passivation/painting (Color can be customized)



Accessories (Optional models)

Item	Name	Qty
1	Cover plate	2
2	Vertical bar	4
3	Cross member	4
4	Side member	4
5	Liner plate	2
6	Installation of corner rails	2
7	Leg	8
8	Connecting bar	4
9	Corner connector	8
10	Mounting strip	4



Order information

Height H	Width W	Height H(mm)	Height H1(mm)	Width W(mm)	Model	Depth D 300mm	Depth D 400mm	Depth D 500mm	Model	Depth D 300mm	Depth D 400mm	Depth D 500mm
2U	42TE	120	90	321	Perforated	01230042	01240042	01250042	Without holes	02230042	02240042	02250042
2U	84TE	120	90	534	Perforated	01230084	01240084	01250084	Without holes	02230084	02240084	02250084
3U	42TE	164	134	321	Perforated	01330042	01340042	01350042	Without holes	02330042	02340042	02350042
3U	84TE	164	134	534	Perforated	01330084	01340084	01350084	Without holes	02330084	02340084	02350084
4U	42TE	209	179	321	Perforated	01430042	01440042	01450042	Without holes	02430042	02440042	02450042
4U	84TE	209	179	534	Perforated	01430084	01440084	01450084	Without holes	02430084	02440084	02450084
6U	42TE	297	267	321	Perforated	01630042	01640042	01650042	Without holes	02630042	02640042	02650042
6U	84TE	297	267	534	Perforated	01630084	01640084	01650084	Without holes	02630084	02640084	02650084

EK&EG PRO Series Subracks
EK+EG+PRO Series Subracks
BEK&BEG PRO Series Subracks
Handle specification and accessories
Guide rail specification and accessories
19" CUR Series Subracks
SNCF Series Subracks
Shielded plug-in units Series Subracks
VERO Series Subracks
Protective Series Subracks
CASE Series Subracks
Type A Series Subracks
Integrated side panel series subracks
IN-S Series Subracks
Subracks Accessories
Panel component
Order no. and page Table

A Series Subracks



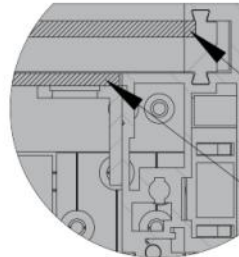
Type A-II Subrack

- The subrack is used as a desktop case
- The subrack is equipped with VC legs to prevent the chassis from sliding after stacking
- Composite standard plug-in box can be installed inside the chassis
- When supplying: the box has been partially assembled
- Integral 5052 aluminum plate is selected as the side plate
- Standard: 60297-3
- When the non ventilated form is selected, the protection grade is IP42



Material and finish

- Cover plate: 5052 aluminum plate, chromate passivation/painting
- Side plate: 6063 aluminum profile, painted
- Beam: 6063 aluminum profile, painted
- Installation angle rail: 6063 aluminum profile, chromate passivation/painting (Color can be customized)

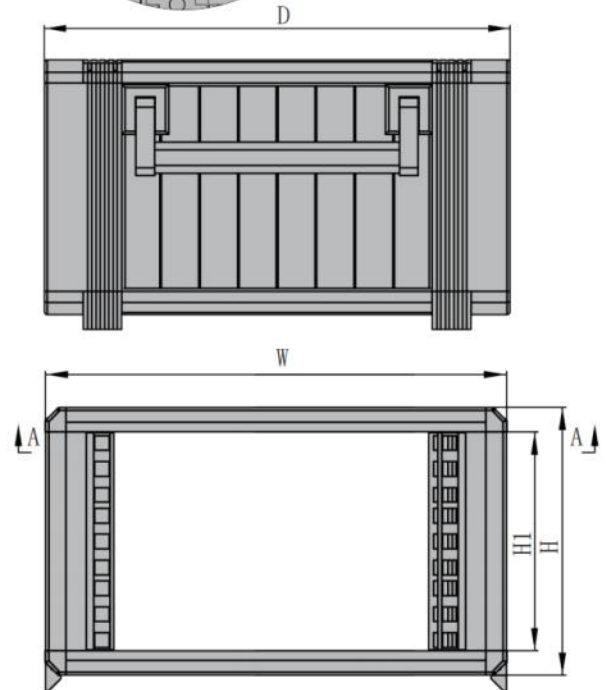


Mounting of inlaid panel

Removable panel installation

Accessories (Optional models)

Item	Name	Qty
1	Cover plate	2
2	Vertical bar	4
3	Cross member	4
4	Side member	4
5	Liner plate	2
6	Installation of corner rails	2
7	Leg	8
8	Connecting bar	4
9	Corner connector	8
10	Mounting strip	4
11	Side panel	8/12/16
12	Horizontal Carrying Handle	2



Order information

Height H	Width W	Height H(mm)	Height H1(mm)	Width W(mm)	Model	Depth D 300mm	Depth D 400mm	Depth D 500mm	Model	Depth D 300mm	Depth D 400mm	Depth D 500mm
2U	42TE	120	90	321	Perforated	03230042	03240042	03250042	Without holes	04230042	04240042	04250042
2U	84TE	120	90	534	Perforated	03230084	03240084	03250084	Without holes	04230084	04240084	04250084
3U	42TE	164	134	321	Perforated	03330042	03340042	03350042	Without holes	04330042	04340042	04350042
3U	84TE	164	134	534	Perforated	03330084	03340084	03350084	Without holes	04330084	04340084	04350084
4U	42TE	209	179	321	Perforated	03430042	03440042	03450042	Without holes	04430042	04440042	04450042
4U	84TE	209	179	534	Perforated	03430084	03440084	03450084	Without holes	04430084	04440084	04450084
6U	42TE	297	267	321	Perforated	03630042	03640042	03650042	Without holes	04630042	04640042	04650042
6U	84TE	297	267	534	Perforated	03630084	03640084	03650084	Without holes	04630084	04640084	04650084

A Series Subracks

Type A Subrack accessories

Horizontal Carrying Handle

- For easy and safe transportation
- Supplementary installation available
- Load resistance 30KG/pzzz
- Includes mounting fixings



Material and finish

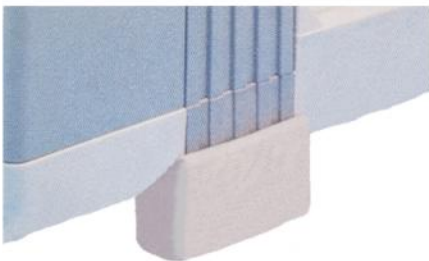
- Side section: zinc die-cast, painted, color similar to RAL7035
- Middle part: Extruded aluminum profile, painted, color similar to RAL7035

Order information

Depthmm	Qty/UP	Order no
300	2	00100100
400	2	00100101
500	2	00100102

Rubber foot cover

- Can be supplemented by mounting on Type A subrack feet to avoid sliding of the case on a smooth plane



Material and finish

- Soft PVC, Shore hardness 60°.
- Color RAL7035

Order information

Qty/UP	Order no
12	00100103

Installation of corner rails

- Depth adjustable with 12.5 pitch for mounting rack mount devices or panels in Type A Subrack
- Mounting plates with threaded holes allow for different depths of mounting of component boxes/rack-mounted devices
- Includes mounting brackets



Material and finish

- Aluminum, anodized treatment

Order information

Height	Qty/UP	Order no
1U	4	00100104
2U	4	00100105
3U	4	00100106
4U	4	00100107
5U	4	00100108
6U	4	00100109

EK&EG PRO
Series Subracks

EK&EG+PRO
Series Subracks

BEK&BEG PRO
Series Subracks

Handle
specification
and accessories

Guide rail
specification
and accessories

19"CUR
Series Subracks

SNCF
Series Subracks

Shielded
plug-in units
Series Subracks

VERO
Series Subracks

Protective
Series Subracks

CASE
Series Subracks

Type A
Series Subracks

Integrated
slide panels
series subracks

IN-S
Series Subracks

Subracks
Accessories

Panel
component

Order no.
and page Table

A Series Subracks

Type A Subrack accessories

M4 Threaded insert

- Used for mounting corner rails, sliding rails, mounting assemblies, etc, Can be pushed into the racking slot of the side panel
- Includes mounting fixings



Material and finish

- Extruded aluminum profile, chromate passivation

Order information

Height	Qty/UP	Order no
1U	8	00100110
2U	8	00100111
3U	8	00100112
4U	8	00100113
5U	8	00100114
6U	8	00100115

Grounding Connection Kit

- For meeting the requirements of electrical safety measures, suitable for all Type A subracks
- Configuration list: threaded strip, screw, connection lead in green/yellow, toothed ring, screw nut



Order information

Qty/UP	Order no
4	00100116

Ventilation front panel

- Used for ventilation of cabinets and subracks



Material and finish

- Aluminum, anodized treatment

Order information

Width	Qty/UP	Qty/UP	Order no
482.6mm(19")	1U	3	00100117
482.6mm(19")	2U	3	00100118
482.6mm(19")	3U	3	00100119

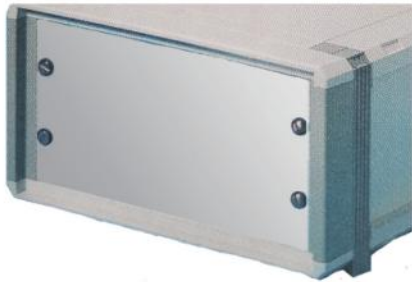
A Series Subracks



Type A Subrack accessories

Cover plate, 482.6mm (19")

- For installation in electronic cabinets or subracks



Material and finish

- Aluminum, anodized treatment

Order information

Height	Qty/UP	Order no (269.2mm)	Order no (482.6mm)
1U	3	00100120	00100126
2U	3	00100121	00100127
3U	3	00100122	00100128
4U	3	00100123	00100129
5U	3	00100124	00100130
6U	3	00100125	00100131

Hinged cover plate, horizontally hinged

- For installation in electronic cabinets or subracks
- Includes mounting fixings



Material and finish

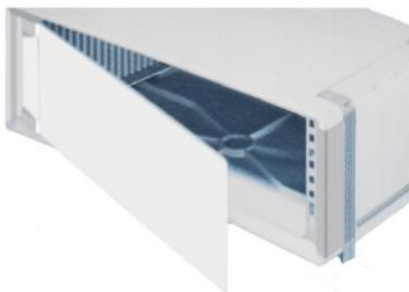
- Aluminum 3mm, anodized treatment

Order information

Height	Qty/UP	Width	Order no
3U	2	482.6mm(19")	00100132
6U	2	482.6mm(19")	00100133

Hinged cover plate, rotatable

- For installation in electronic cabinets or subracks
- Includes mounting fixings



Material and finish

- Aluminum 3mm, anodized treatment

Order information

Height	Qty/UP	Width	Order no
3U	2	482.6mm(19")	00100134
6U	2	482.6mm(19")	00100135

EK&EG PRO Series Subracks
EK&EG+PRO Series Subracks
BEK&BEG PRO Series Subracks
Handle specification and accessories
Guide rail specification and accessories
19"CUR Series Subracks
SNCF Series Subracks
Shielded plug-in units Series Subracks
VERO Series Subracks
Protective Series Subracks
CASE Series Subracks
Type A Series Subracks
Integrated side panels series subracks
IN-S Series Subracks
Subracks Accessories
Panel component
Order no. and page Table

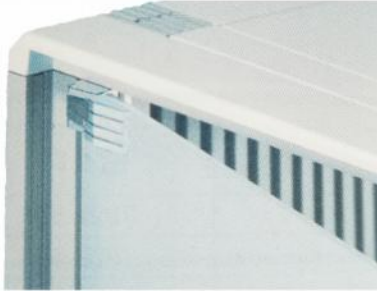
A Series Subracks



Type A Subrack accessories

Hinged

- For cover plates
- Includes mounting fixings



Material and finish

- Zinc die castings, nickel plated

Order information

Qty/UP	Order no
2	00100136

Drawer for 482.6 mm (19") with base plate

- For keyboards, operation manuals, etc. The bottom aperture plate facilitates IN-S circulation in the control cabinet and has a load capacity of 50KG. The 1U drawer can be installed by rotating 180° on the longitudinal axis so that it can be used as a bracket type countertop
- Includes sliding telescopic rails, drawer mounting kit



Material and finish

- Drawer material is aluminum, anodized
- Sliding telescopic rail: steel plate, galvanized

Order information

Height	Model	Order no
1U	with base plate	00100137
1U	Without base plate	00100138
3U	with base plate	00100139
3U	Without base plate	00100140

Set screw M6

- Set screws for electronic rack mount, 482.6mm (19") mounting device and shield
- Includes plastic spacer



Insert screw nut

- Fixing screws for electronic rack mounting, 482.6mm (19") mounting devices and shields can be fixed to the fixing profile 482.6mm (19") with insertion screw nuts
- For profile plate thicknesses in the range of 0.8-2.0mm. In the small error range, insertion screw nuts with a profile plate thickness of 1.2-1.5 mm should be selected for mounting devices with or without contact points with the 482.6mm (19") profile/case

Order information

Model	Panel Thick	Qty/UP	Order no
With contact	0.8-2.0mm	50个	00100142
Without contact	0.8-2.0mm	50个	00100143
With contact	1.2-1.5mm	50个	00100144
Without contact	1.2-1.5mm	50个	00100145

Order information

Name	Qty/UP	Order no
Pan head Pozidrive c/sk screwM6	100	00100141

Integrated side panel series subracks



Integrated side panel series subracks

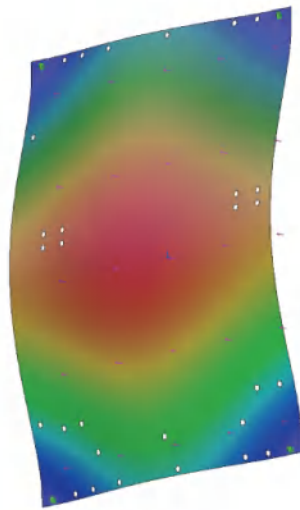
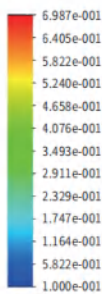
- Integrated chassis with lightweight features
- The integrated design of the front flange and side panel, with the addition of reinforcement ribs, significantly improves the structural strength (see figure below)
- EMC electromagnetic compatibility structural design to meet the product's requirements for EMC electromagnetic compatibility
- Meet the vibration and impact testing standards IEC 61587-1, NE50155 BN411002, NF67012, NF F67002, Electromagnetic Compatibility VG95373, Part 5 Test Standards
- The integrated side panel series chassis is divided into integrated heavy-duty side panel chassis and integrated lightweight side panel chassis
- The integrated side panel can be used in conjunction with EK+, EG+, BEK, and BEG chassis crossbeams



Common Side panel

- Model Name: Side panel
- Example Name: Example 1
- Diagram type: Static displacement Displacement 1
- proportion of deformation: 44.3403

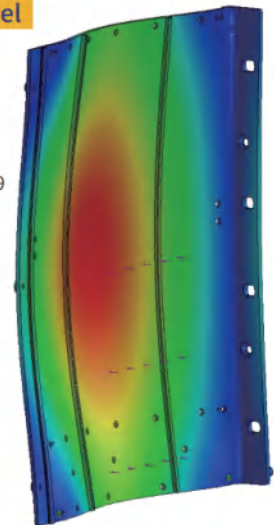
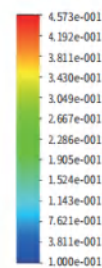
URES (mm)



Rugged Subracks Side panel

- Model Name: Side panel
- Example Name: Example 2
- Diagram type: Static displacement Displacement 2
- proportion of deformation: 67.7489

URES (mm)



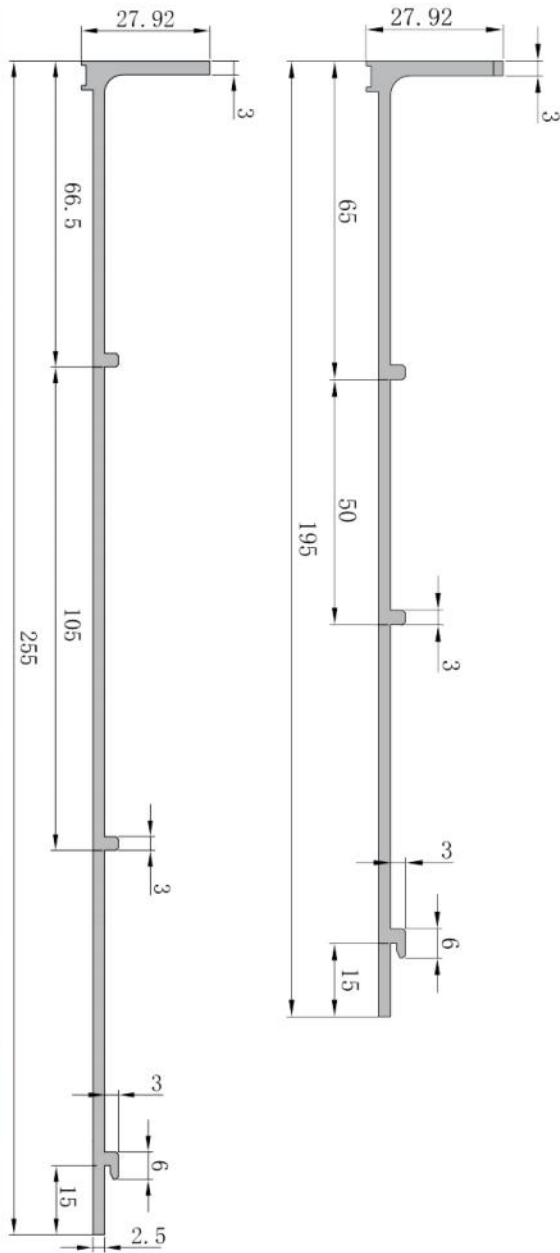
Order information

Height h	Width W	Depth Dmm	EK+ light Order no	EG+ light Order no	BEK light Order no	BEG light Order no	Depth Dmm	EK+ heavy Order no	EG+ heavy Order no	BEK heavy Order no	BEG heavy Order no
7U (6+1)	42TE	200	03760042	13760042	23760042	33760042	220	03762042	13762042	23762042	33762042
7U (6+1)	42TE	260	03766042	13766042	23766042	33766042	280	03768042	13768042	23768042	33768042
7U (6+1)	63TE	200	03760063	13760063	23760063	33760063	220	03762063	13762063	23762063	33762063
7U (6+1)	63TE	260	03766063	13766063	23766063	33766063	280	03768063	13768063	23768063	33768063
7U (6+1)	84TE	200	03760084	13760084	23760084	33760084	220	03762084	13762084	23762084	33762084
7U (6+1)	84TE	260	03766084	13766084	23766084	33766084	280	03768084	13768084	23768084	33768084
7U (6+½+½)	42TE	200	03770042	13770042	23770042	33770042	220	03772042	13772042	23772042	33772042
7U (6+½+½)	42TE	260	03776042	13776042	23776042	33776042	280	03778042	13778042	23778042	33778042
7U (6+½+½)	63TE	200	03770063	13770063	23770063	33770063	220	03772063	13772063	23772063	33772063
7U (6+½+½)	63TE	260	03776063	13776063	23776063	33776063	280	03778063	13778063	23778063	33778063
7U (6+½+½)	84TE	200	03770084	13770084	23770084	33770084	220	03772084	13772084	23772084	33772084
7U (6+½+½)	84TE	260	03776084	13776084	23776084	33776084	280	03778084	13778084	23778084	33778084

EK&EG PRO Series Subracks
 EK+EG+ PRO Series Subracks
 BEK&BEG PRO Series Subracks
 Handle specification and accessories
 Guide rail specification and accessories
 19" CUR Series Subracks
 SNCF Series Subracks
 Shielded plug-in units Series Subracks
 VERO Series Subracks
 Protective Series Subracks
 CASE Series Subracks
 Type A Series Subracks
 Integrated side panel series subracks
 IN-S Series Subracks
 Subracks Accessories
 Panel component
 Order no. and page Table

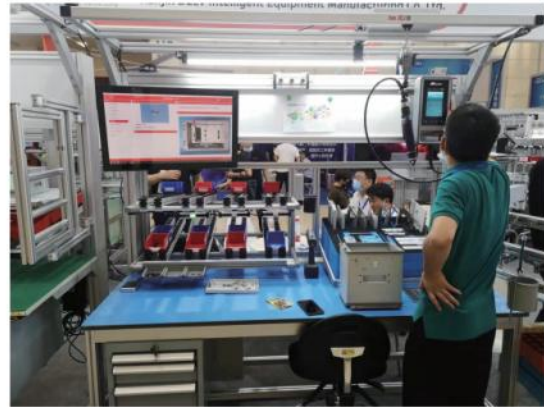
Integrated side panel series subracks

Section of left and right side plate profiles



Intelligent Assembly Workstation Features

- Material Picking Tips
- Standard parts gripping tray
- Electric torque wrenches, electric screwdrivers hanging and placing sensors
- Out of material alarm
- Installation sequence prompt light
- After all processes are assembled with video photo data analysis and qualified, the light will be prompted, and the finished product will be swept off the line and transported to the next workstation for the next process
- Product assembly process video tracking automatic feedback performance, automatic archiving to facilitate product source traceability, equipment program left with MES communication protocol port to facilitate enterprise scheduling and performance assessment



Application of intelligent torsion system

- Storage of tightening torque information for accurate and high-quality torque and angle control for later traceability



Integrated side panel series subracks



Integrated side panel series subracks

- Integrated chassis with lightweight features
- Integrated design of front flange and side panel, with added reinforcement ribs, significantly improves structural strength
- EMC electromagnetic compatibility structural design to meet the product's requirements for EMC electromagnetic compatibility
- Meets vibration and impact testing standards IEC 61587-1, NE50155, BN411002, NF67012, NF F67002, electromagnetic compatibility VG95373, Part 5 testing standards
- Applicable to card depths of 160 mm and 220 mm (depending on chassis depth)
- Support the installation of cooling fans (3U+1U)
- The integrated side panel series chassis is divided into integrated heavy-duty side panel chassis and integrated lightweight side panel chassis
- The integrated side panel can be used in conjunction with EK+, EG+, BEK, and BEG chassis crossbeams



Order information

Height h	Width W	Depth Dmm	EK+ light Order no	EG+ light Order no	BEK light Order no	BEG light Order no	Depth Dmm	EK+ heavy Order no	EG+ heavy Order no	BEK heavy Order no	BEG heavy Order no
3U	42TE	200	03300042	13300042	23300042	33300042	220	03302042	13302042	23302042	33302042
3U	42TE	260	03306042	13306042	23306042	33306042	280	03308042	13308042	23308042	33308042
3U	63TE	200	03300063	13300063	23300063	33300063	220	03302063	13302063	23302063	33302063
3U	63TE	260	03306063	13306063	23306063	33306063	280	03308063	13308063	23308063	33308063
3U	84TE	200	03300084	13300084	23300084	33300084	220	03302084	13302084	23302084	33302084
3U	84TE	260	03306084	13306084	23306084	33306084	280	03308084	13308084	23308084	33308084
4U(3+1)	42TE	200	03410042	13410042	23410042	33410042	220	03412042	13412042	23412042	33412042
4U(3+1)	42TE	260	03416042	13416042	23416042	33416042	280	03418042	13418042	23418042	33418042
4U(3+1)	63TE	200	03410063	13410063	23410063	33410063	220	03412063	13412063	23412063	33412063
4U(3+1)	63TE	260	03416063	13416063	23416063	33416063	280	03418063	13418063	23418063	33418063
4U(3+1)	84TE	200	03410084	13410084	23410084	33410084	220	03412084	13412084	23412084	33412084
4U(3+1)	84TE	260	03416084	13416084	23416084	33416084	280	03418084	13418084	23418084	33418084
4U(3+½+½)	42TE	200	03420042	13420042	23420042	33420042	220	03422042	13422042	23422042	33422042
4U(3+½+½)	42TE	260	03426042	13426042	23426042	33426042	280	03428042	13428042	23428042	33428042
4U(3+½+½)	63TE	200	03420063	13420063	23420063	33420063	220	03422063	13422063	23422063	33422063
4U(3+½+½)	63TE	260	03426063	13426063	23426063	33426063	280	03428063	13428063	23428063	33428063
4U(3+½+½)	84TE	200	03420084	13420084	23420084	33420084	220	03422084	13422084	23422084	33422084
4U(3+½+½)	84TE	260	03426084	13426084	23426084	33426084	280	03428084	13428084	23428084	33428084

EK&EG PRO Series Subracks
 EK+&EG+ PRO Series Subracks
 BEK&BEG PRO Series Subracks
 Handle specification and accessories
 Guide rail specification and accessories
 19"CUR Series Subracks
 SNCF Series Subracks
 Shielded plug-in units Series Subracks
 VERO Series Subracks
 Protective Series Subracks
 CASE Series Subracks
 Type A Series Subracks
 Integrated side panel series subracks
 IN-S Series Subracks
 Subracks Accessories
 Panel component
 Order no. and page table

Integrated side panel series subracks



Integrated side panel series subracks

- Integrated chassis with lightweight features
- Integrated design of front flange and side panel, with added reinforcement ribs, significantly improves structural strength
- EMC electromagnetic compatibility structural design to meet the product's requirements for EMC electromagnetic compatibility
- Meets vibration and impact testing standards IEC 61587-1, NE50155, BN411002, NF67012, NF F67002, electromagnetic compatibility VG95373, Part 5 testing standards



Left and right side plate profiles



Order information

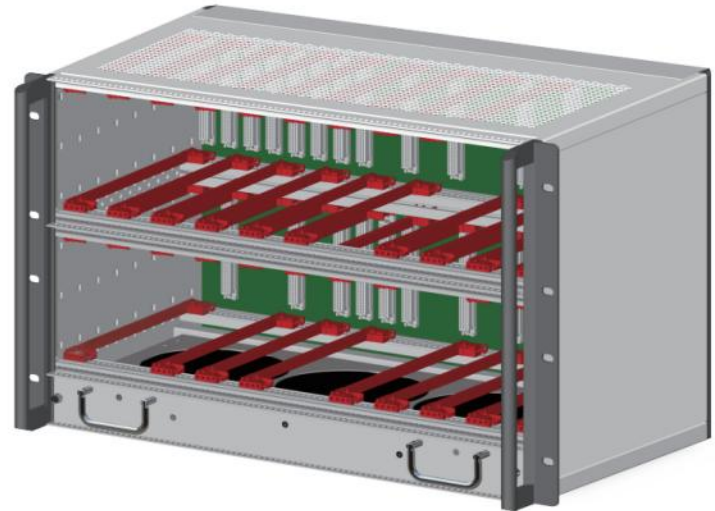
Height h	Width W	Depth Dmm	EK+ light Order no	EG+ light Order no	BEK light Order no	BEG light Order no	Depth Dmm	EK+ heavy Order no	EG+ heavy Order no	BEK heavy Order no	BEG heavy Order no
6U	42TE	200	03600042	13600042	23600042	33600042	220	03602042	13602042	23602042	33602042
6U	42TE	260	03606042	13606042	23606042	33606042	280	03608042	13608042	23608042	33608042
6U	63TE	200	03600063	13600063	23600063	33600063	220	03602063	13602063	23602063	33602063
6U	63TE	260	03606063	13606063	23606063	33606063	280	03608063	13608063	23608063	33608063
6U	84TE	200	03600084	13600084	23600084	33600084	220	03602084	13602084	23602084	33602084
6U	84TE	260	03606084	13606084	23606084	33606084	280	03608084	13608084	23608084	33608084
6U(3+3)	42TE	200	03630042	13630042	23630042	33630042	220	03632042	13632042	23632042	33632042
6U(3+3)	42TE	260	03636042	13636042	23636042	33636042	280	03638042	13638042	23638042	33638042
6U(3+3)	63TE	200	03630063	13630063	23630063	33630063	220	03632063	13632063	23632063	33632063
6U(3+3)	63TE	260	03636063	13636063	23636063	33636063	280	03638063	13638063	23638063	33638063
6U(3+3)	84TE	200	03630084	13630084	23630084	33630084	220	03632084	13632084	23632084	33632084
6U(3+3)	84TE	260	03636084	13636084	23636084	33636084	280	03638084	13638084	23638084	33638084

IN-S Subracks



IN-S Subracks

- Desktop cabinet pre configured according to IEC 60297-3-101 standard, applicable to European board and backplane with insulating strips
- EMC shielding components can be added
- This version has a covering strip and no visible screws
- Subracks with integrated ventilation fan (2 x 1/2 U)
- Symmetrical design, same front and rear/front flange (including Handle integrated profile)
- Honeycomb mesh ventilation/non ventilation of top cover and bottom plate
- Applicable to 160 mm, 220 mm, 280 mm, and 340 mm board depth (depending on subracks depth)
- Conform to DIN EN 62368-1

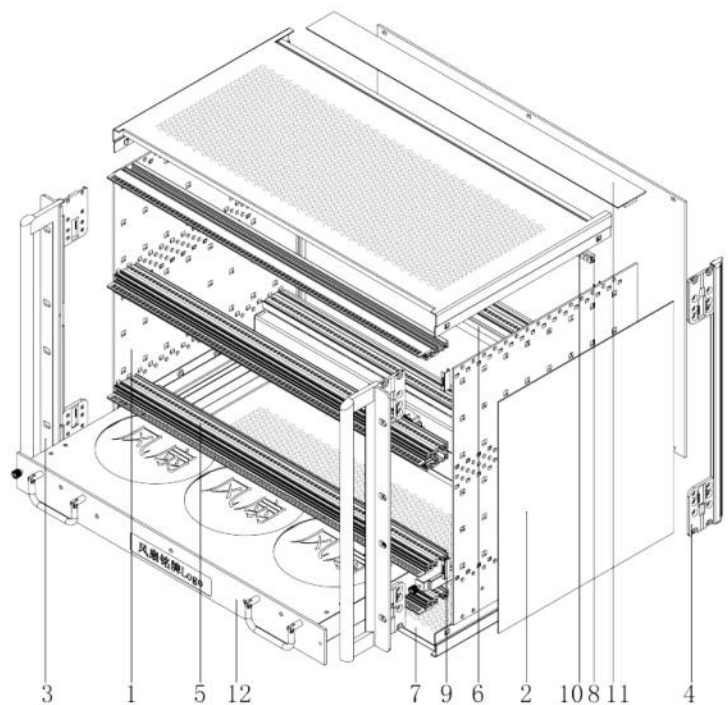


Delivery Comprises(kit)

Item	Name	Qty	Model
1	Side panel	2	/
2	Side panel baffle	2	/
3	Front bracket	2	/
4	Rear bracket	2	/
5	Front rails	5	/
6	Rear rails	6	/
7	Cover plate	2	/
8	Insulation strip	6	/
9	Side panel baffle circlip	8	/
10	Threaded insert	11	/
11	Rear fixing strip	2	/
12	Fan insert	1	/
13	EMC gasket (Front rails)	5	/
14	EMC textile gasket	2	/
15	EMC gasket (Cover plate)	4	/

Order information

Height h	Width W	Depth D	Order no
7U	42TE	245mm	04724542
7U	42TE	285mm	04728542
7U	42TE	345mm	04734542
7U	63TE	245mm	04724563
7U	63TE	285mm	04728563
7U	63TE	345mm	04734563
7U	84TE	245mm	04724584
7U	84TE	285mm	04728584
7U	84TE	345mm	04734584



EK&EG PRO Series Subracks

EK&EG+PRO Series Subracks

BEK&BEG PRO Series Subracks

Handle specification and accessories

Guide rail specification and accessories

19" CUR Series Subracks

SNCF Series Subracks

Shielded plug-in units Series Subracks

VERO Series Subracks

Protective Series Subracks

CASE Series Subracks

Type A Series Subracks

Integrated side panel series subracks

IN-S Series Subracks

Subracks Accessories

Panel component

Order no. and page Table

IN-S Subracks

- Desktop cabinet pre configured according to IEC 60297-3-101 standard, applicable to European board and backplane with insulating strips
- EMC shielding components can be added
- This version has a covering strip and no visible screws
- Subracks with integrated ventilation fan (2 x 1/2 U)
- Symmetrical design, same front and rear/front flange (including Handle integrated profile)
- Honeycomb mesh ventilation/non ventilation of top cover and bottom plate
- Applicable to 160 mm, 220 mm, 280 mm, and 340 mm board depth (depending on subracks depth)
- Conform to DIN EN 62368-1

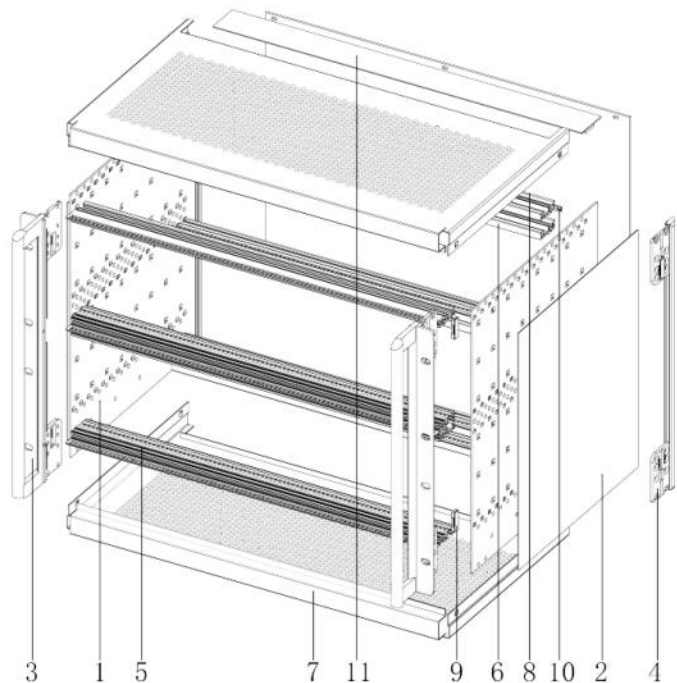


Delivery Comprises(kit)

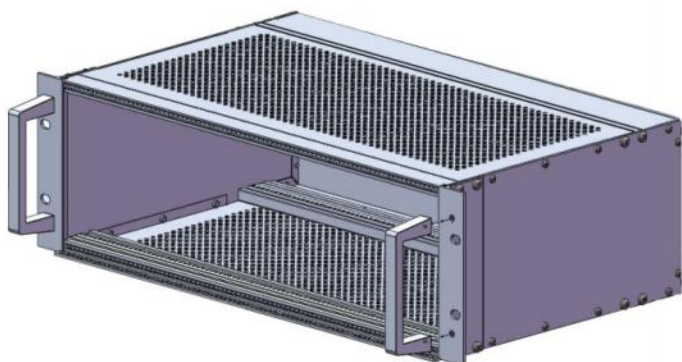
Item	Name	Qty	Model
1	Side panel	2	/
2	Side panel baffle	2	/
3	Front bracket	2	/
4	Rear bracket	2	/
5	Front rails	4	/
6	Rear rails	6	/
7	Cover plate	2	/
8	Insulation strip	6	/
9	Side panel baffle circlip	8	/
10	Threaded insert	10	/
11	Rear fixing strip	2	/
12	EMC gasket (Front rails)	4	/
13	EMC textile gasket	2	/
14	EMC gasket (Cover plate)	4	/

Order information

Height h	Width W	Depth D	Order no
7U	42TE	245mm	05724542
7U	42TE	285mm	05728542
7U	42TE	345mm	05734542
7U	63TE	245mm	05724563
7U	63TE	285mm	05728563
7U	63TE	345mm	05734563
7U	84TE	245mm	05724584
7U	84TE	285mm	05728584
7U	84TE	345mm	05734584



Handle



Square handle

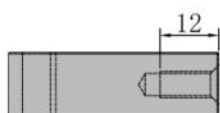
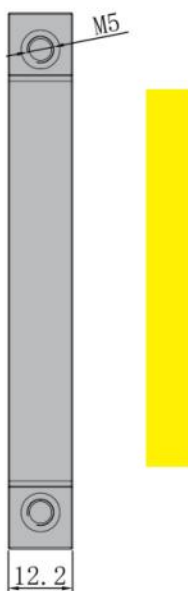
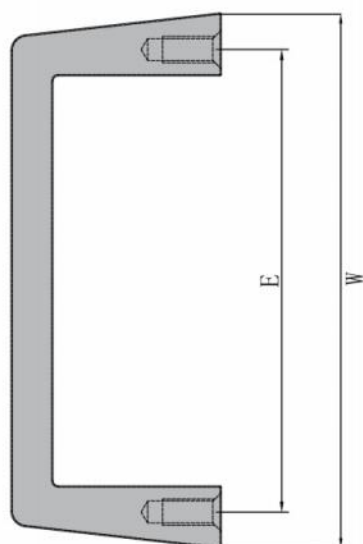
- Handle load capacity 30KG
- Installed on the front flange or side panel of the subrack

Delivery includes

Item	Name	Description
1	Square handle	Front Handle, Aluminum, anodized treatment

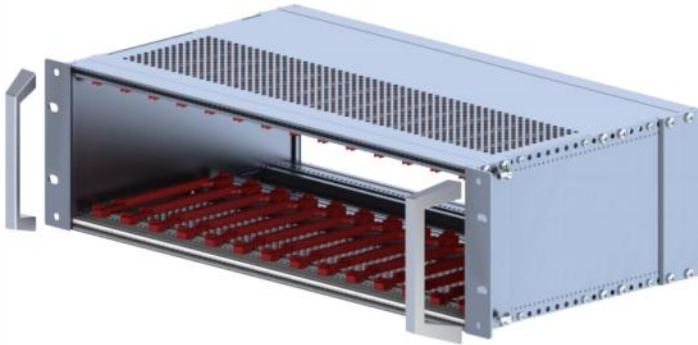
Order information

W mm	E mm	Anodized treatment	
		Order no	Black Order no
69	55	1000009	1030042
102	88	1000010	1030043
132	120	1030030	1030044
146.4	133.5	1000011	1030045
194	180	1000012	1030046
249	235	1000013	1030047



EK&EG PRO Series Subracks
EK+MEG+ PRO Series Subracks
BEK&BEG PRO Series Subracks
Handle specification and accessories
Guide rail specification and accessories
19"CUR Series Subracks
SNCF Series Subracks
Shielded plug-in units Series Subracks
VERO Series Subracks
Protective Series Subracks
CASE Series Subracks
Type A Series Subracks
Integrated side panel series subracks
IN-S Series Subracks
Subracks Accessories
Panel component
Order no. and page Table

Handle



Slant handle

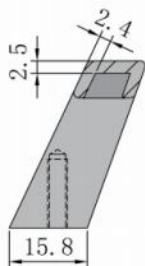
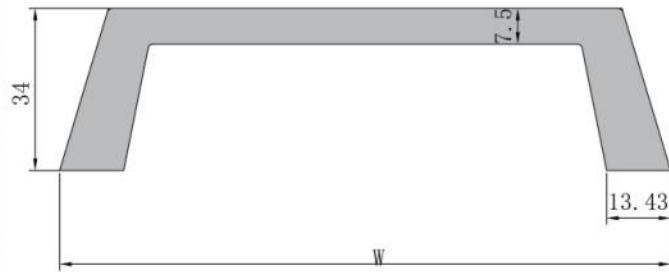
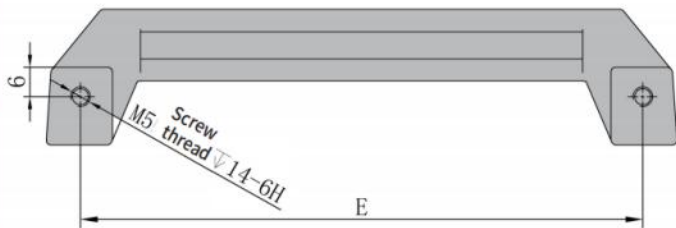
- Handle load capacity 30KG
- Installed on the front flange or side panel of the subrack

Delivery includes

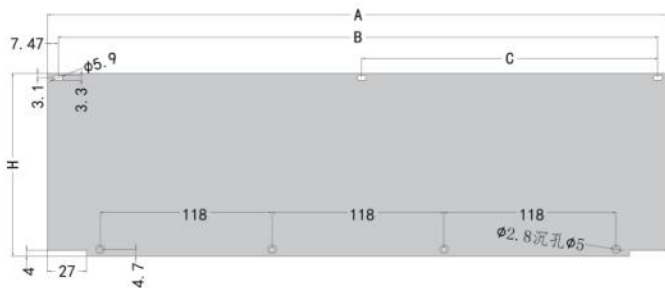
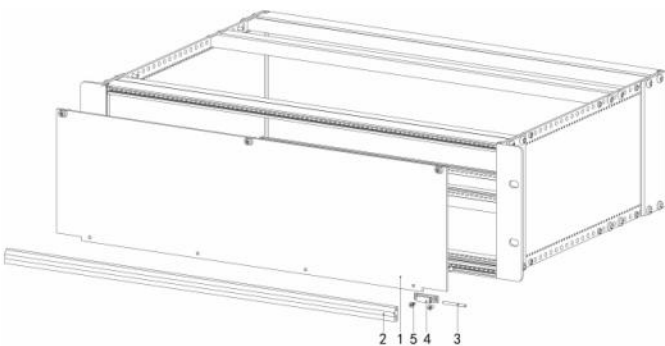
Item	Name	Description
1	Slant handle	Front Handle, Aluminum, anodized treatment

Order information

W mm	E mm	Anodized treatment	
		Order no	Black Order no
69	55	1030048	1030054
102	88	1000007	1030055
132	120	1030050	1030056
146.4	133.5	1030051	1030057
194	180	1030052	1030058
249	235	1030064	1030059



Hinged panels



Hinged panels

- Hinges are mounted on the bottom of the panel
- Can be applied to Subrack cases and instrument cases with an opening angle of 105 degrees
- The available width of the subrack is not affected while the hinge is installed
- Fixing method: Hinged panels are fixed to the cross member of the subrack

Delivery Comprises(kit)

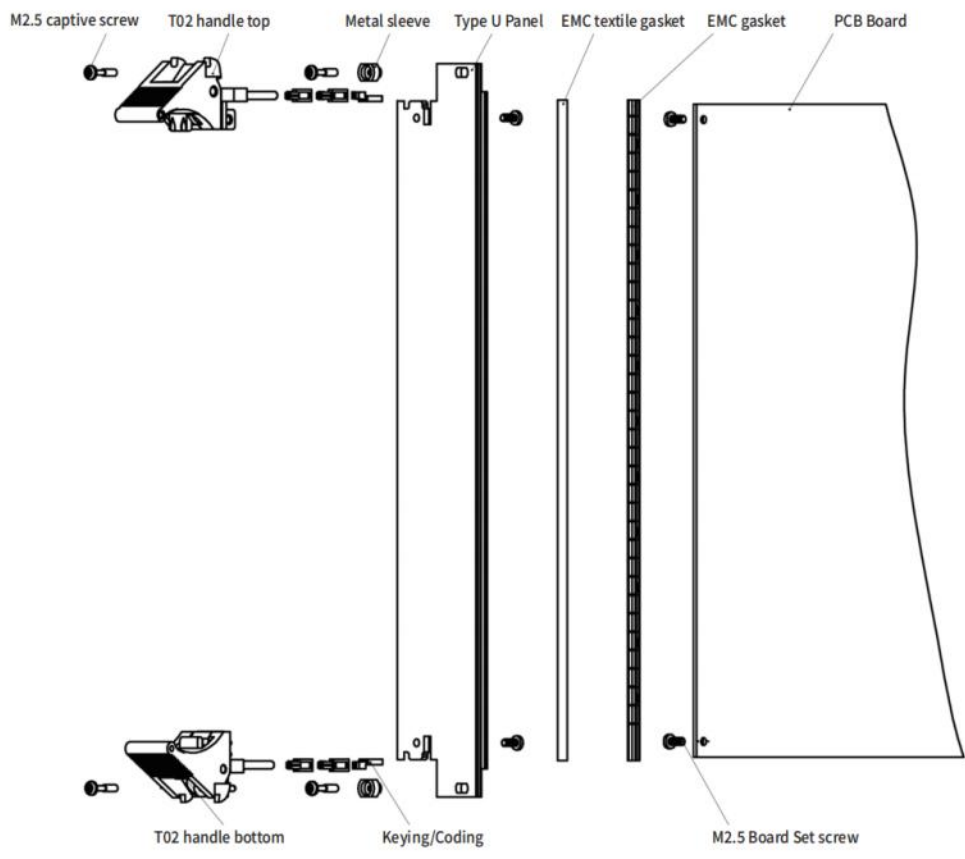
Item	Qty	Order no	Description
1	1	/	Front panel, bottom-hinged, Al, 2.5mm anodised, cut edges untreated
2	1	10290002	Hinge, Zn die-cast, nickel-plated
3	2	1023004	Hinge Nail penetrate
4	2	10290011	Hinge Seat, Aluminum casting
5	3	1004023	Panel fixing screws M2.5x12, steel

Panel Order information

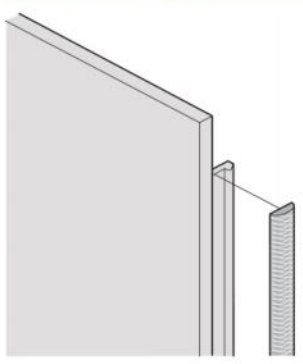
H Height	W Width	Amm	Bmm	Cmm	Hmm	Order no
3U	28TE	141.9	127	-	-	00232810
3U	42TE	213	198.1	101.6	128.4	00234210
3U	63TE	319.7	304.8	157.5	128.4	00236310
3U	84TE	426.4	411.5	203.2	128.4	00238410
4U	42TE	213	198.1	101.6	172.9	00244210
4U	63TE	319.7	304.8	157.5	172.9	00246310
4U	84TE	426.4	411.5	203.2	172.9	00248410
6U	63TE	213	198.1	101.6	261.8	00264210
6U	63TE	319.7	304.8	157.5	261.8	00266310
6U	84TE	426.4	411.5	203.2	261.8	00268410

EM&EG PRO Series Subracks
 EK+MEG+ PRO Series Subracks
 BE&BEG PRO Series Subracks
 Handle specification and accessories
 Guide rail specification and accessories
 19"CUR Series Subracks
 SNCF Series Subracks
 Shielded plug-in units Series Subracks
 VERO Series Subracks
 Protective Series Subracks
 CASE Series Subracks
 Type A Series Subracks
 Integrated side panel series subracks
 IN-S Series Subracks
 Subracks Accessories
 Panel component
 Order no. and page Table

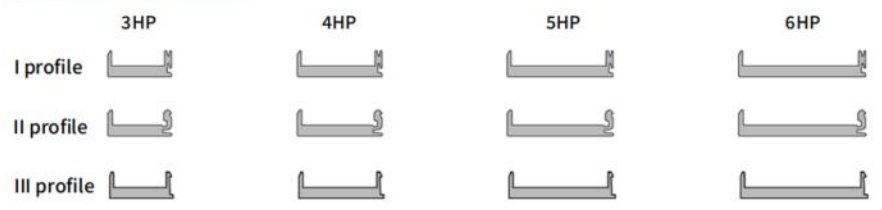
Type U Panel



EMC textile gasket Schematic



Type U Panel Profile



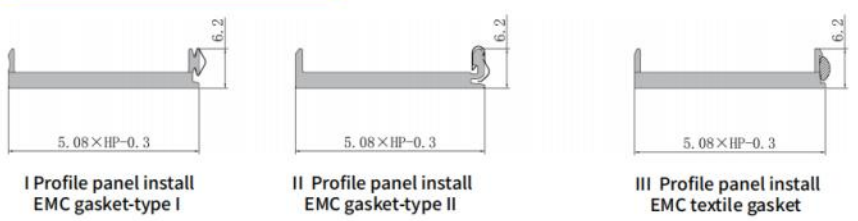
Delivery includes

Item Name	Qty	Description
10 EMC textile gasket	1	Conductive cloth shielding strip

EMC textile gasket Order no

Height U	Width mm	Order no
3	97	1008037
6	232	1008038

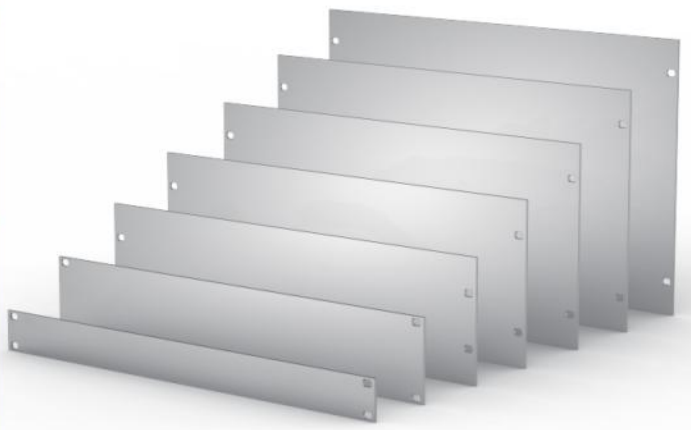
EMC Gasket schematic section



EK&EG PRO Series Subracks
EK+MEG+ PRO Series Subracks
BEK&BEG PRO Series Subracks
Handle specification and accessories
Guide rail specification and accessories
19"CUR Series Subracks
SNCF Series Subracks
Shielded plug-in units Series Subracks
VERO Series Subracks
Protective Series Subracks
CASE Series Subracks
Type A Series Subracks
Integrated slide panel series subracks
IN-S Series Subracks
Subracks Accessories
Panel component
Order no. and page Table

Type U Panel

Flat front panel blind panel

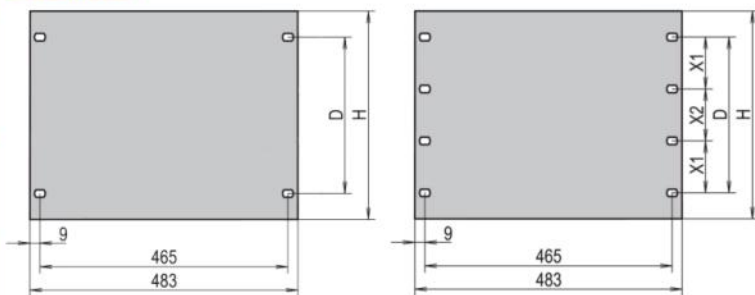


- Aluminum front panel blind plate
- Used in conjunction with M6 screws, it can be installed in front of the cabinet and used as the front panel of the cabinet

Delivery Comprises

Name	Qty	Model	Description
Flat blind plate	1	/	Profile panel, suitable for the front panel of the cabinet chassis
Screw component	4	/	Install panel accessories

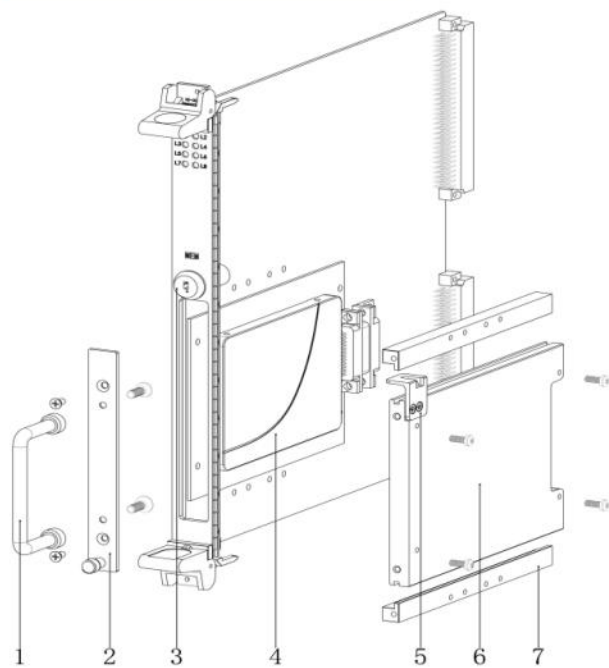
Cut-Size



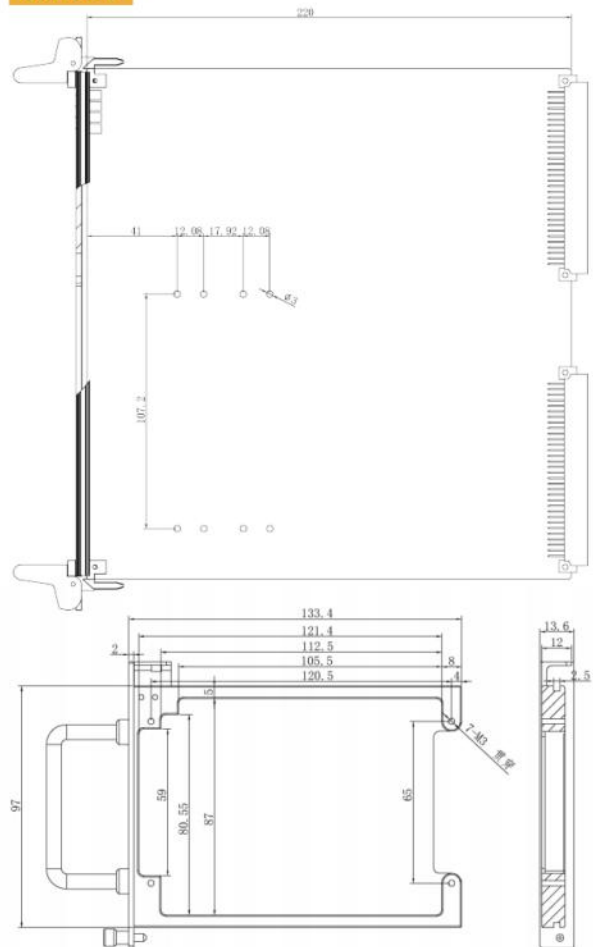
Order information

Height	H	D	X1	X2	Mounting Hole Qty	Thickness3mm RAL7021 Order no	Thickness3mm RAL7035 Order no	Thickness3mm Anodization Order no	Thickness4mm Anodization Order no
U	mm	mm	mm	mm					
1U	43.6	31.7	-	-	4	01013021	01013035	01013000	01014000
2U	88.1	76.2	-	-	4	01023021	01023035	01023000	01024000
3U	132.5	57.1	-	-	4	01033021	01033035	01033000	01034000
4U	177.0	101.6	-	-	4	01043021	01043035	01043000	01044000
5U	221.4	146.0	-	-	4	01053021	01053035	01053000	01054000
6U	265.9	190.4	-	-	4	01063021	01063035	01063000	01064000
7U	310.3	234.9	-	-	4	-	-	01073000	01074000
7U	310.3	234.9	88.9	57.1	8	01073021	01073035	-	-
8U	354.8	279.4	-	-	4	-	-	01083000	01084000
8U	354.8	279.4	101.6	76.2	8	01083021	01083035	-	-
9U	399.2	323.8	101.6	120.6	8	01093021	01093035	01093000	01094000
10U	443.7	368.3	101.6	165.1	8	01103021	01103035	01103000	01104000

2.5" hard drive cage assembly



Cut-Size



- For hard drive protection against physical damage and mechanical damage
- Suitable for 4U and 6U and above size PCB card mount 2.5" solid state drives
- With lock for easy hard drive removal and installation



Delivery Comprises(kit)

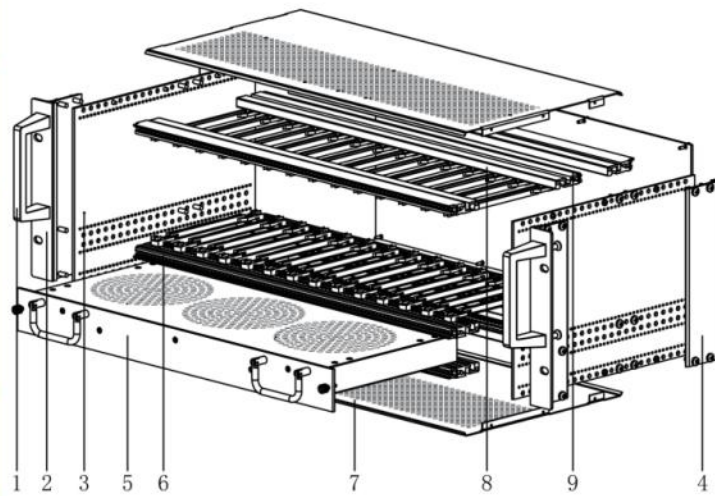
Item	Name	Qty	Model
1	Handle	1	/
2	Front panel	1	Stainless steel, Wire drawing process
3	Hard disk lock	1	/
4	2.5 inch hard disk	1	/
5	Locking element	1	/
6	Hard drive	1	/
7	Hard drive Guide rail	2	/
8	Assembly components	1	Pan head Screw M2.5

Order no

Name	Order no
2.5" hard drive cage assembly	02622021

EK&EG PRO Series Subracks
EK+EG+ PRO Series Subracks
BEX&BEG PRO Series Subracks
Handle specification and accessories
Guide rail specification and accessories
19"CUR Series Subracks
SNCF Series Subracks
Shielded plug-in units Series Subracks
VERO Series Subracks
Protective Series Subracks
CASE Series Subracks
Type A Series Subracks
Integrated side panel series subracks
IN-S Series Subracks
Subracks Accessories
Panel component
Order no. and page table

Fan insert component



Fan insert

- Heat can cause equipment to shut down due to malfunction and shorten the life and functionality of high-performance electronic components before that happens
- High heat dissipation and compact space are the key to the problem. Therefore, heat dissipation is the key to increasing the service life of products and improving operational safety and reliability
- A temperature-controlled fan tray is also available

Delivery Comprises(kit)

Item	Name	Qty	Model
1	Handle	2	Choice
2	Front bracket	2	/
3	Side panel	2	/
4	Rear bracket	2	/
5	Fan insert	1	/
6	Front rails	4	/
7	Cover plate	2	/
8	Rear rails	2	/
9	Insulation strip	2	/

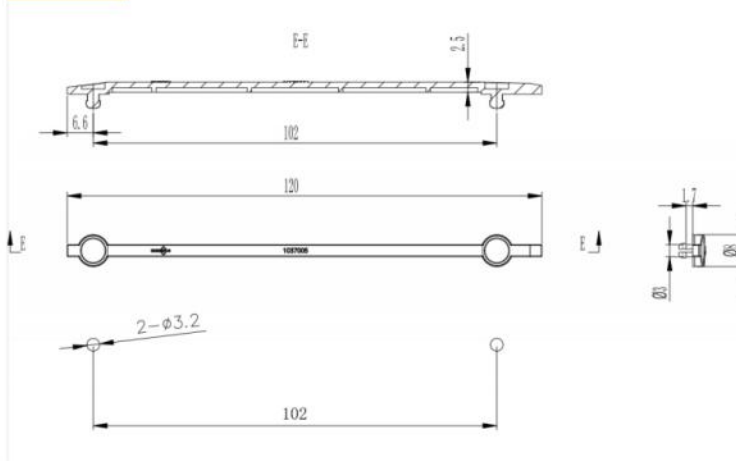
Fan insert Order no

Height h	Width W	Depth D	Order no
1U	42TE	245mm	03124542
1U	42TE	285mm	03128542
1U	42TE	345mm	03134542
1U	63TE	245mm	03124563
1U	63TE	285mm	03128563
1U	63TE	345mm	03134563
1U	84TE	245mm	03124584
1U	84TE	285mm	03128584
1U	84TE	345mm	03134584

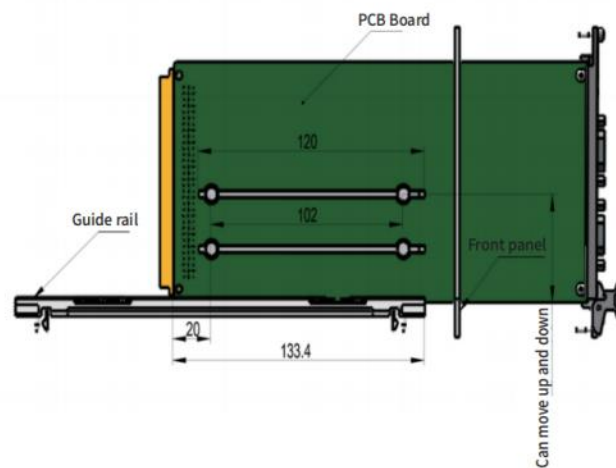
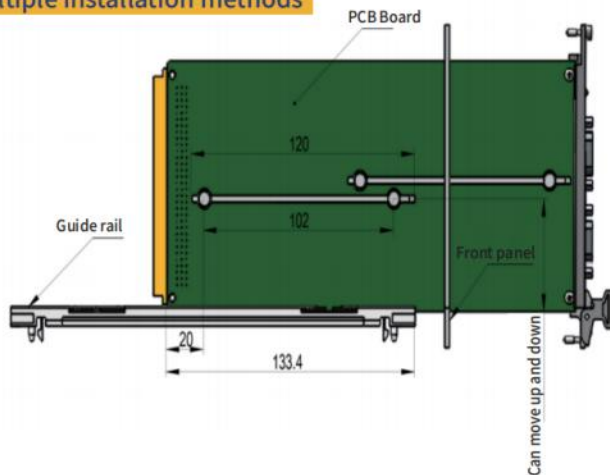
PCB board protection strip



Cut-Size



Multiple installation methods



Product description

Board protection strip is mainly used for human inevitably cut each other when plugging and unplugging boards and components on the back, to play an effective protection and prevention role, to facilitate the installation of multiple boards and cards, thereby improving efficiency and reducing the damage to components during installation

Performance description

- Performance description
- Light size for easy installation.
- Mechanical limit, improve work efficiency.
- Fireproof standard: UL94V-0, EN45545-2
- Aging standard: GB/T7141-2008,,90°C, 6h
- Embrittlement standard: GB/T5470-2008, -55°C
- ROHS standard: conform to 2011/65/EU

Material and finish

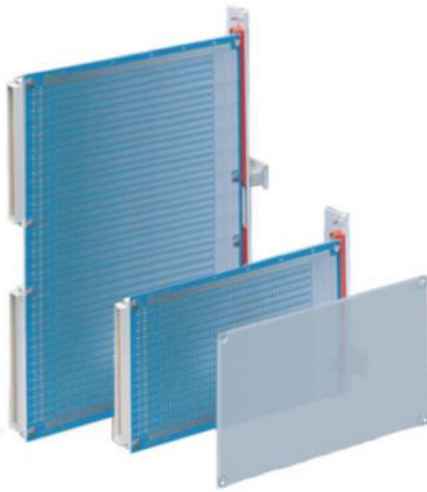
PC, transparent

Order information

Name	Material	Order no
PCB board protection strip	Transparent PC	1037005

EM&EG PRO Series Subracks
EK&EG+ PRO Series Subracks
BEM&BEG PRO Series Subracks
Handle specification and accessories
Guide rail specification and accessories
19" CUR Series Subracks
SNCF Series Subracks
Shielded plug-in units Series Subracks
VERO Series Subracks
Protective Series Subracks
CASE Series Subracks
Type A Series Subracks
Integrated side panel series subracks
IN-S Series Subracks
Subracks Accessories
Panel component
Order no. and page Table

PCB board mechanical protection cover



PCB board mechanical protection cover

- Mechanical protection for PCB board soldering surfaces and electromagnetic compatibility springs
- Fixed holes comply with CPCI or VME specifications

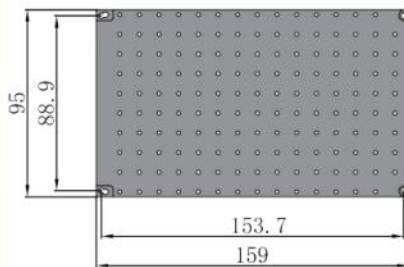
Order information

Height	Describe	Order no
3U	Applicable board size 100x160, LCP, UL94V-0, ESD PC white frosted	1037001
3U	Applicable board size 100x220, LCP, UL94V-0, ESD PC white frosted	1037011
6U	Applicable board size 233.35x160, LCP, UL94V-0, ESD PC white frosted	1037002
6U	Applicable board size 233.35x220, LCP, UL94V-0, ESD PC white frosted	1037012

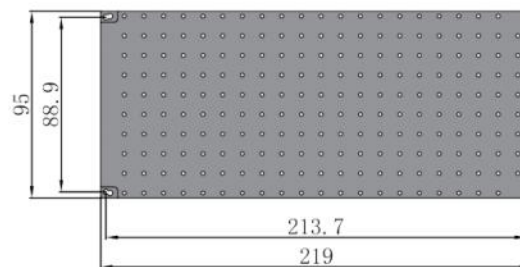
Sectional opening size



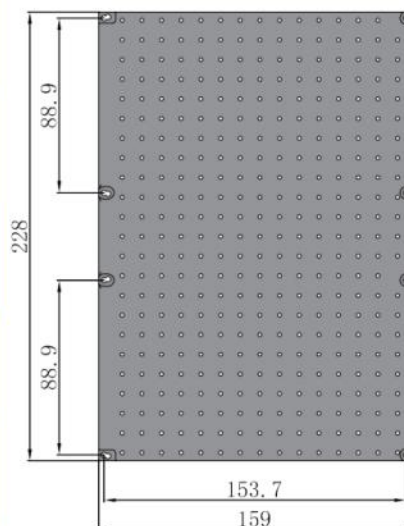
100X160mm hole size (3U160 board)



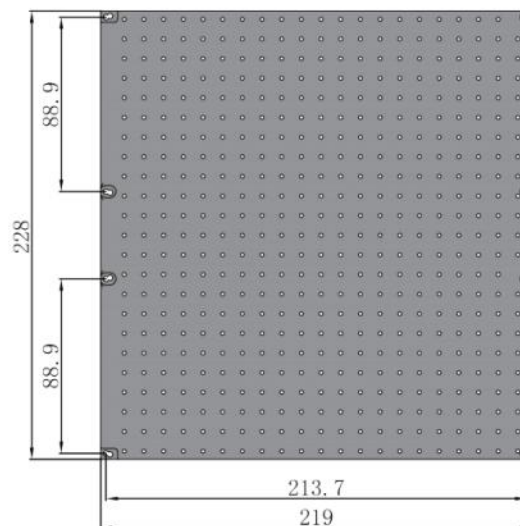
100X220mm hole size (3U220 board)



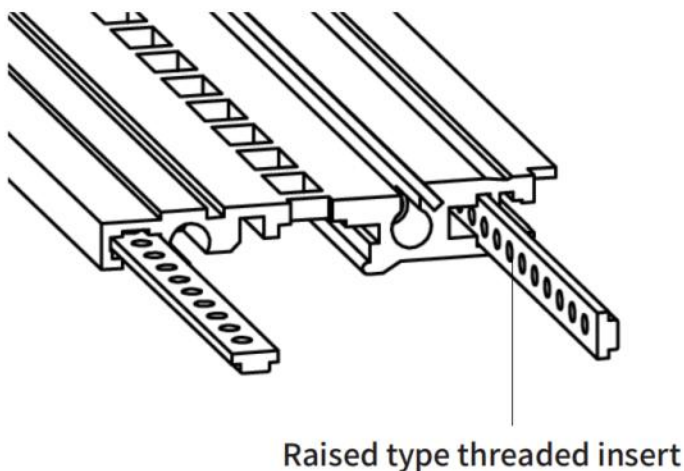
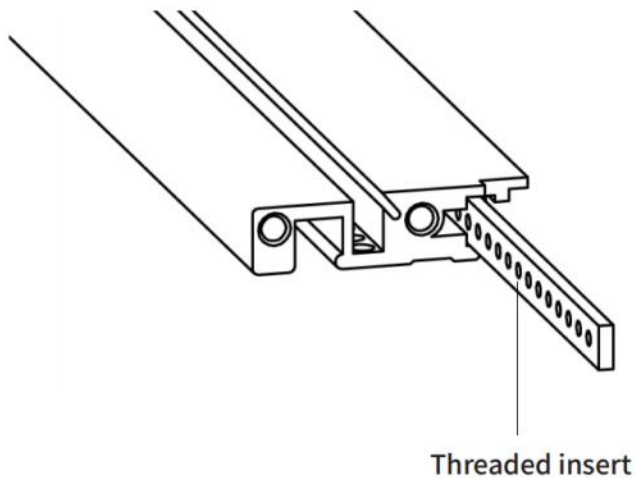
233.35X160mm hole size (6U160 board)



233.35X220mm hole size (6U220 board)



Subracks Accessories

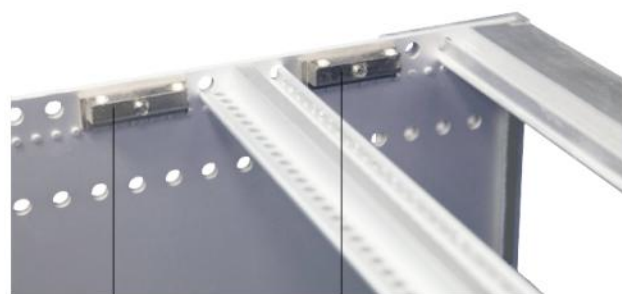


Threaded insert

- For connecting panels or fixing back panels
- Installed in the cross member slot
- Material: Cold rolled steel

Order information

Order no	Name	Model	Model
1011116	Threaded insert	2x6	84TE
1011005	Threaded insert	2x6	63TE
1011003	Threaded insert	2x6	42TE
1011013	Threaded insert	2x5	84TE
1011012	Threaded insert	2x5	63TE
1011010	Threaded insert	2x5	42TE
1011020	Threaded insert	Raised type	84TE
1011019	Threaded insert	Raised type	63TE
1011017	Threaded insert	Raised type	42TE



Cover plate printed board bracket
Cover plate printed board bracket

Cover plate printed board bracket

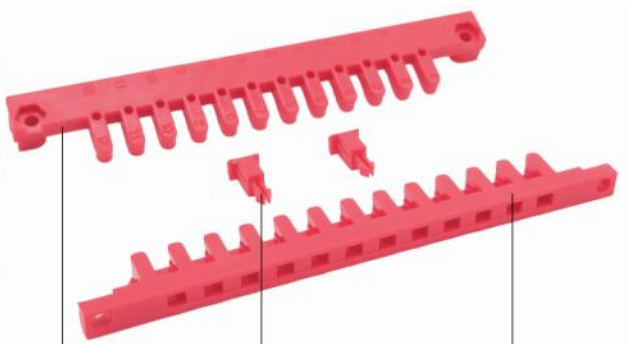
- Fastened to the side plate with screws
- For the attachment between side plate and cover plate, with shielding function
- Material: Die-cast zinc

Order information

Order no	Name	Color	Colour code
1015007	Cover plate printed board bracket	Natural color	/

EK&EG PRO Series Subracks
EK+MEG+PRO Series Subracks
BEK&BEG PRO Series Subracks
Handle specification and accessories
Guide rail specification and accessories
19" CUR Series Subracks
SNCF Series Subracks
Shielded plug-in units Series Subracks
VERO Series Subracks
Protective Series Subracks
CASE Series Subracks
Type A Series Subracks
Integrated side panel series subracks
IN-S Series Subracks
Subracks Accessories
Panel component
Order no. and page table

Subracks Accessories



Female strip Coding pins Coding strip

Anti misplug component

- Applicable to the coding of PCB board and back panel production
- The head and seat are mounted on the connector of the PCB and the back panel respectively
- Used to prevent the PCB board from being inserted into a non-corresponding slot
- Material: PC+20%GF

Order no	Name	Color	Colour code
1009006	Female strip	Red	RAL3018
1009005	Coding strip	Red	RAL3018
1009008	Coding pins	Red	RAL3018



Digital Strip

- Paste in cross member groove, starting point aligned with front flange
- Digital spacing 1TE, convenient for installation position and marking of rails and boards
- Material: PVC

Order information

Order no	Name	Colour code	Model
1012001	Digital Strip	RAL2011	84TE
1012002	Digital Strip	RAL2011	42TE



Digital Strip

Subracks Accessories



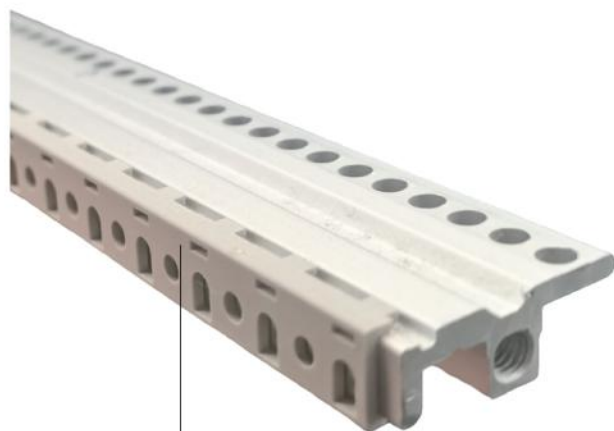
ESD Electrostatic Discharge Clip
ESD Electrostatic Discharge Clip

ESD Electrostatic Discharge Clip

- Mounted on the end of the guide rail
- For electrostatic load discharge
- Material: Beryllium bronze

Order information

Order no	Name	Color
1010003	CPCI Guide rail ESD Electrostatic Discharge Clip	Natural color
1010004	Clip guide rail ESD Electrostatic Discharge Clip	Natural color



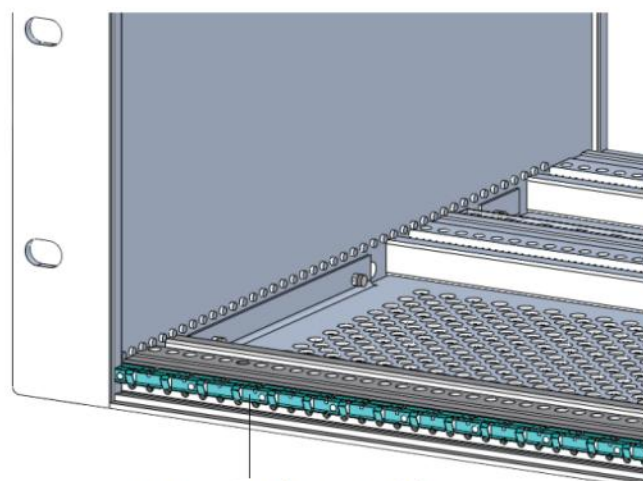
Insulation strip A

Insulation strip A

- Mounted on the rear cross member to insulate the cross member from the back panel and protect the internal components
- Only for EK&EG series subracks
- Material: PC+20%GF

Order information

Order no	Name	Model	Color	Colour code
1013001	Insulation strip A	21TE	Grey	RAL7032



EMC gasket (Front rails)

EMC gasket (Front rails)

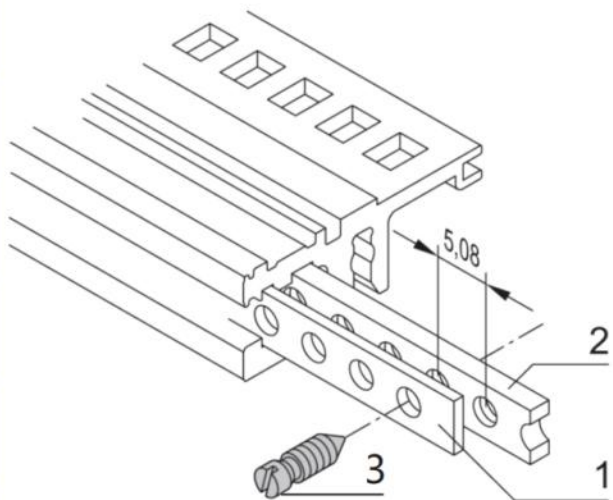
- Installed on the inside of the front rails to form a good conductivity between the panel and the rail, thus increasing the shielding effect
- Only used in EK&EG series subracks
- Material: Stainless steel

Order information

Order no	Name	Model	Color
1008011	EMC gasket (Front rails)	42TE	Natural color
1008048	EMC gasket (Front rails)	63TE	Natural color
1008013	EMC gasket (Front rails)	84TE	Natural color
1008014	EMC gasket (Front rails)	104TE	Natural color

EK&EG PRO Series Subracks
EK&EG+PRO Series Subracks
BEK&BEG PRO Series Subracks
Handle specification and accessories
Guide rail specification and accessories
19"CUR Series Subracks
SNCF Series Subracks
Shielded plug-in units Series Subracks
VERO Series Subracks
Protective Series Subracks
CASE Series Subracks
Type A Series Subracks
Integrated slide panels series subracks
IN-S Series Subracks
Subracks Accessories
Panel component
Order no. and page Table

Subracks Accessories

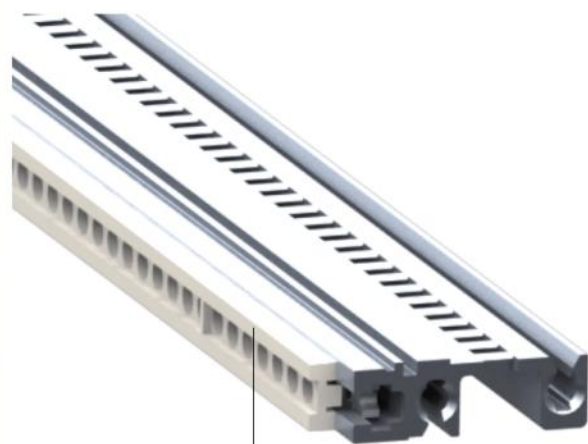


Perforated strip B

- Suitable for determining the center for shielded insertion devices
- Through-hole strip made of 1mm aluminum
- Material: Aluminum

Order information

Item	Order no	Name	Model
1	1011042	Perforated strip B	84TE
2	1011013	Threaded insert B	84TE
3	00100052	Grub screw	M2.5*8



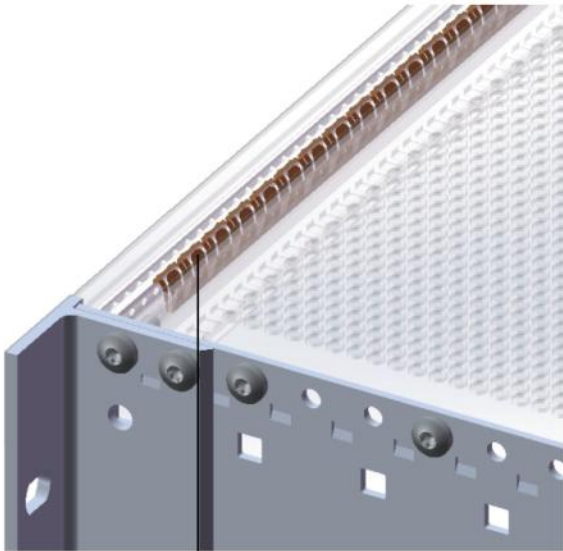
Insulation strip B

Insulation strip B

- For insulated mounting of back panel or for mounting metal plates as support for connectors
- Only for BEK&BEG series subracks
- Material: PC+20% GF

Order information

Order no	Name	Model	Color	Colour code
1013009	Insulation strip B	42TE	Grey	RAL7032
1013008	Insulation strip B	63TE	Grey	RAL7032
1013007	Insulation strip B	84TE	Grey	RAL7032



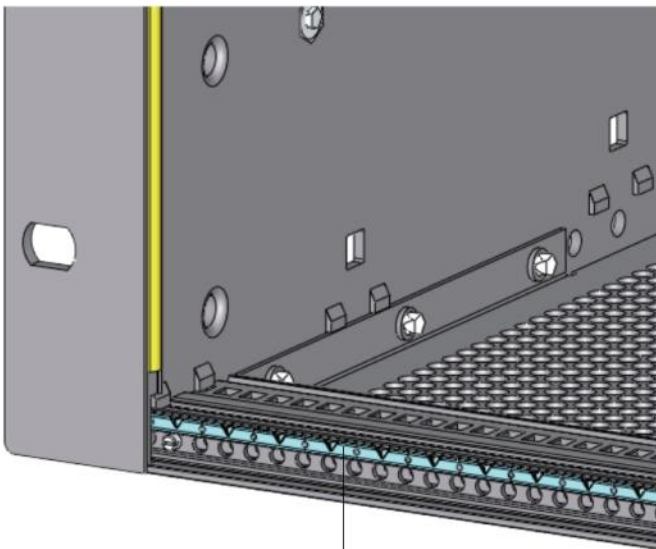
EMC gasket (Cover plate) B

EMC gasket (Cover plate) B

- Mounted on the cover plate, with mounted on the cover plate, and snapped into the cross member recess together with the cover plate
- Used for the conductive connection between the cover and the rail
- Material: Stainless steel

Order information

Order no	Name	Model	Color
1008041	EMC gasket (Cover plate) B	42TE	/
1008040	EMC gasket (Cover plate) B	63TE	/
1008034	EMC gasket (Cover plate) B	84TE	/
1008049	EMC gasket (Cover plate) B	104TE	/



EMC gasket (Front rails) B

EMC gasket (Front rails) B

- Installed on the inside of the front rail to form a good conductivity between the panel and the rail, thus increasing the shielding effect
- Apply to BEK&BEG series subracks
- Material: Stainless steel

Order information

Order no	Name	Model	Color
1008047	EMC gasket (Front rails) B	42TE	/
1008042	EMC gasket (Front rails) B	63TE	/
1008033	EMC gasket (Front rails) B	84TE	/
1008046	EMC gasket (Front rails) B	104TE	/

EK&EG PRO Series Subracks
EK+MEG+ PRO Series Subracks
BEK&BEG PRO Series Subracks
Handle specification and accessories
Guide rail specification and accessories
19" CUR Series Subracks
SNCF Series Subracks
Shielded plug-in units Series Subracks
VERO Series Subracks
Protective Series Subracks
CASE Series Subracks
Type A Series Subracks
Integrated side panel series subracks
IN-S Series Subracks
Subracks Accessories
Panel component
Order no. and page Table

Subracks Accessories



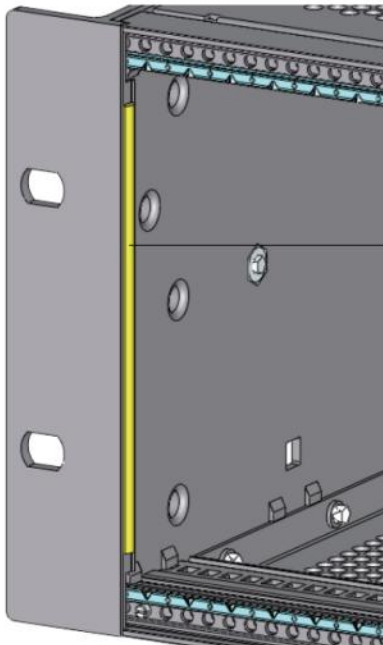
EMC gasket (Cover plate)

EMC gasket (Cover plate)

- Installed on the cover plate and snapped into the groove of the rail together with the cover plate
- Used for the conductive connection between the cover and the rail
- Material: Stainless steel

Order information

Order no	Name	Model	Color
1008050	EMC gasket (Cover plate)	42TE	/
1008051	EMC gasket (Cover plate)	63TE	/
1008010	EMC gasket (Cover plate)	84TE	/
1008052	EMC gasket (Cover plate)	104TE	/



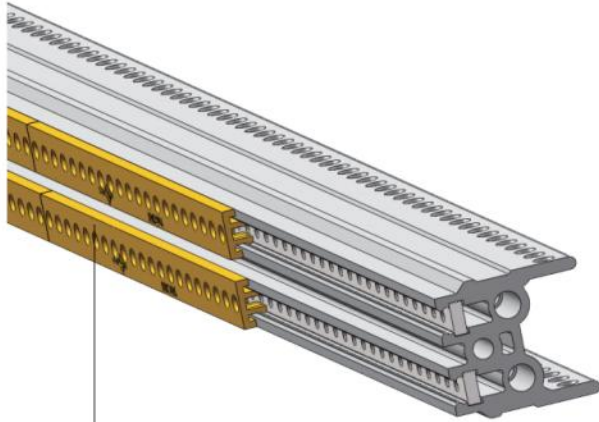
EMC textile gasket

EMC textile gasket

- Paste on the outside of the panel for the panel to panel, panel to flange conductive connection
- Material: Conductive cloth EMC fabric gasket;
- Core: TPE foam

Order information

Order no	Name	Model	Color
1008037	EMC textile gasket	3U	/
1008045	EMC textile gasket	4U	/
1008038	EMC textile gasket	6U	/



Insulation strip C

Insulation strip C

- For insulated mounting of back panel or for mounting metal plates as support for connectors
- Only for EK+&EG+ series subracks
- Material: PC+20% GF

Order information

Order no	Name	Model	Color	Colour code
1013006	Insulation strip C	21TE	Yellow	R251G179B0

EK&EG PRO
Series Subracks

EK+&EG+ PRO
Series Subracks

BEK&BEG PRO
Series Subracks

Handle
specification
and accessories

Guide rail
specification
and accessories

19" CUR
Series Subracks

SNCF
Series Subracks

Shielded
plug-in units
Series Subracks

VERO
Series Subracks

Protective
Series Subracks

CASE
Series Subracks

Type A
Series Subracks

Integrated
side-panel
series subracks

IN-S
Series Subracks

Subracks
Accessories

Panel
component

Order no.
and page Table



EMC gasket-type I

EMC gasket (Front panels)

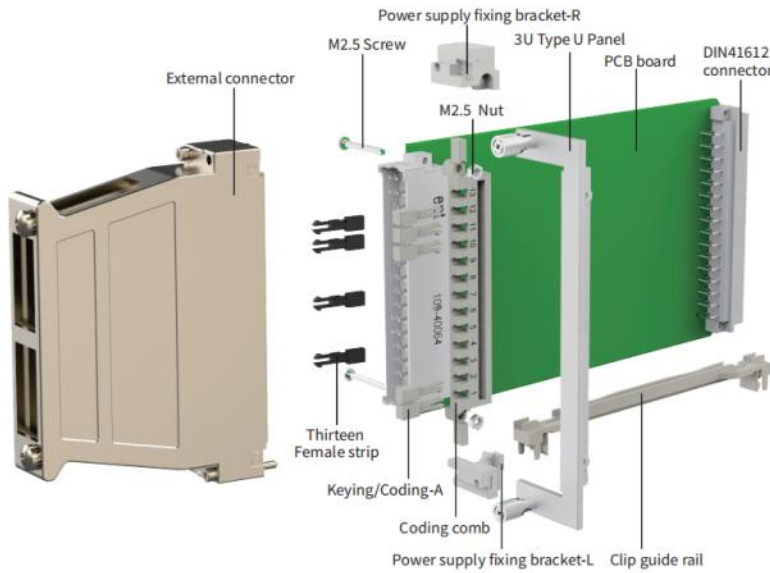
- Installed in the panel or flange side, so that the vertical direction of the gap in the subrack to form a good conductive contact, to improve the overall shielding performance of the subrack
- Material: stainless steel, beryllium bronze

Order information

Order no	Name	Profile	Height
1008001	EMC gasket-type I	Panel-type I	3U
1008015	EMC gasket-type II	Panel-type II	3U
1008007	EMC gasket-Panel	Panel	3U
1008002	EMC gasket-type I	Panel-type I	4U
1008016	EMC gasket-type II	Panel-type II	4U
1008008	EMC gasket-Panel	Panel	4U
1008003	EMC gasket-type I	Panel-type I	6U
1008017	EMC gasket-type II	Panel-type II	6U
1008009	EMC gasket-Panel	Panel	6U



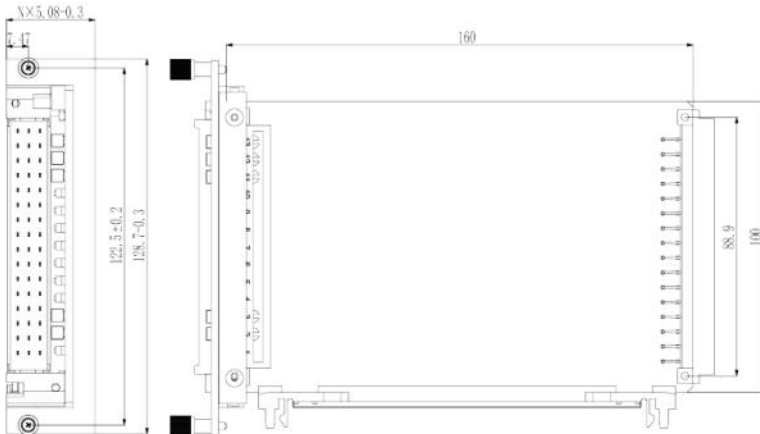
EMC gasket-type II



Encoding comb kit

- Installed on one side of the panel or flange to form good conductive contact at the vertical gap of the chassis, improving the overall shielding performance of the chassis
- Material: stainless steel, vacuum nickel plated

Installation dimension

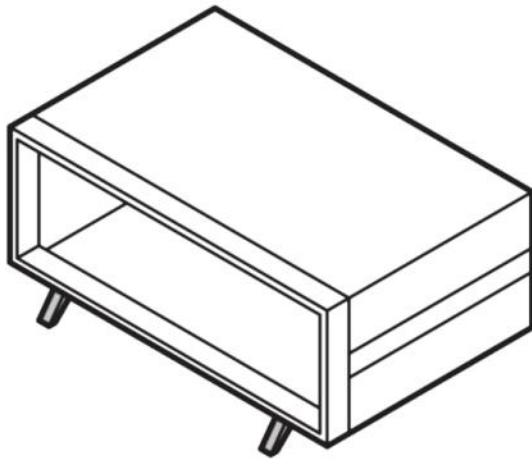


Delivery Comprises(kit)

Name	Qty	Order no	Description
Thirteen Female strip	13	1009004	Black, used with external connectors, PC+20GF
Keying/Coding-A	13	1009002	Gray, used in conjunction with the front-end connector of the board, PC+20GF
Coding comb	1	1009014	Gray, used in conjunction with the front-end connector of the board, ABS, vacuum nickel plated
Power supply fixing bracket-L	1	1009015	Gray, fixed coding comb and board front connector, vacuum nickel plated
Power supply fixing bracket-R	1	1009016	Gray, fixed coding comb and board front connector, vacuum nickel plated
M2.5 Nut	2	1005001	Circuit board to PCB bracket, PCB bracket to front panel, stainless steel
M2.5 Screw	2	/	Used for fixing PCB board fixing blocks
Panel	1	/	Profile panel, front anodized, back conductive oxidized
Clip guide rail	1	1001045	Used for PCB boards with a thickness of 1.6-2.0mm, PC+20GF
External connector	1	/	External connector, connecting power board card

EK&EG PRO Series Subracks
EK+MEG+PRO Series Subracks
BEK&BEG PRO Series Subracks
Handle specification and accessories
Guide rail specification and accessories
19"CUR Series Subracks
SNCF Series Subracks
Shielded plug-in units Series Subracks
VERO Series Subracks
Protective Series Subracks
CASE Series Subracks
Type A Series Subracks
Integrated side panel series subracks
IN-S Series Subracks
Subracks Accessories
Panel component
Order no. and page table

Subracks Plastic foot



Subracks Plastic foot

Product description

- Suitable for replacing standard round feet
- Bearing capacity: 25 kg/ft
- Maximum chassis weight: 40 kilograms
- Rubber blocks can fix the chassis in place, effectively preventing the chassis from sliding
- Reserved installation holes on the bottom cover of the chassis
- The installation hole position can be determined according to different products
- Supporting foot support for use together
- Optional hexagon socket head screw M4 * 12, Ø 4 flat washer, M4 nut

Performance description

- High temperature aging standard: GB/T7141-2008, 90°C 6 h
- Low temperature catalysis standard: GB/T5470-2008, -55°C
- Fire and flame retardant standards: UL94V-0, EN45545-2
- ROHS standard: 2011/65/EU

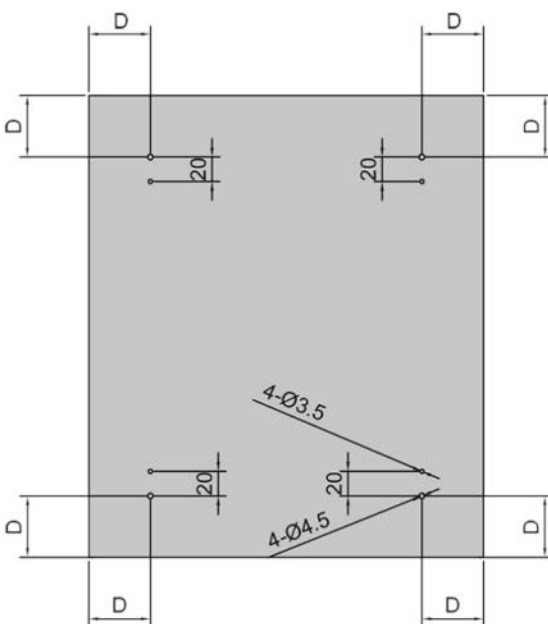
Material and finish

- PA; Rubber

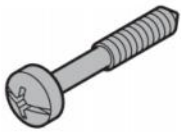


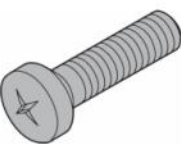

Order information

Order no	Name	Model	Color	Colour code
1033007	Plastic foot	Can be folded	Grey	RAL7045
1033008	Subracks support	/	Grey	RAL7045
1033009	Plastic foot	Can be folded	Black	RAL9011
1033010	Subracks support	/	Black	RAL9011

Cut-Size



Screw

Description	Application	Material	Size	Qty/PU	Order no
 Cross/captive screws GB 837-88	For assembly of front panels if threaded strips are used	Stainless steel	M2.5*11	1	1004333
Cross/captive screws GB 837-88	For assembly of front panels	Stainless steel	M2.5*12	1	1004023
One word/captive screw GB 837-88	For assembly of front panels	Stainless steel	M2.5*12	1	1004025
Collar screw with Pozidrive/slot GB 837-88	For assembly of front panels	Stainless steel	M2.5*12	1	1004026
One word/captive screw GB 837-88	For assembly of front panels	Nickeling	M2.5*12	1	1004028
 Collar screw with knurled head GB 837-88	For assembly of front panels	Stainless steel	M2.5*16.5	1	1004279
Collar screw with knurled head GB 837-88	For assembly of front panels	Stainless steel	M2.5*18.5	1	1004095
 Collar screw with knurled head GB 837-88	For assembly of front panels	Stainless steel	M2.5*18.5	1	1004096
Cross recessed pan head screws GB/T818-2000	Three section panel with springs and contact profiles	Stainless steel, black	M2.5*5	1	1004185
Cross recessed pan head screws GB/T818-2000	Connector to Z-shaped profile, Z-shaped profile to horizontal connecting rail, V-handle/VI handle to panel, plug-in board guide rail to horizontal connecting rail, carrier board panel	Stainless steel	M2.5*6	1	1004004
Cross recessed pan head screws GB/T818-2000	Insert the card into the card holder, insert the 6U card into the auxiliary pull handle	Stainless steel	M2.5*8	1	1004005
Cross recessed pan head screws GB/T818-2000	Insert card into card holder, bus backplane to threaded hole plate	Stainless steel	M2.5*10	1	1004006
 Cross recessed pan head screws GB/T818-2000	Connector to circuit board, fixing of plug-in unit handle	Stainless steel	M2.5*12	1	1004310
Cross recessed pan head screws GB/T818-2000	Fixing the handle of the plug-in unit	Stainless steel, Without adhesive	M2.5*16	1	1004352
Cross recessed pan head screws GB/T818-2000	Used to fix the backboard	Stainless steel, With glue	M2.5*16	1	1004008
Cross recessed pan head screws GB/T818-2000	Rear panel to module box	Stainless steel	M3*8	1	1004034
Cross recessed pan head screws GB/T818-2000	Fixing the crossbeam in the Compac chassis	Stainless steel	M5*12	1	1004339
 Cross shaped slotted pan head screw GB/T818-2000	EMC panel to horizontal connecting rail, EMC partition frame, for covering the front profile of the horizontal internal installation kit	Nickeling	M2.5*11	1	1004245
Screw+securing washer GB/T9074.4-2018	Used to fix the backboard	Stainless steel	M2.5*12	1	1004020

EK&EG PRO Series Subracks
 EK&EG+ PRO Series Subracks
 BEK&BEG PRO Series Subracks
 Handle specification and accessories
 Guide rail specification and accessories
 19"CUR Series Subracks
 SNCF Series Subracks
 Shielded plug-in units Series Subracks
 VERO Series Subracks
 Protective Series Subracks
 CASE Series Subracks
 Type A Series Subracks
 Integrated side panel series subracks
 IN-S Series Subracks
 Subracks Accessories
 Panel component
 Order no. and page table

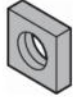



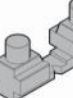


Screw

	Description	Application	Material	Size	Qty/PU	Order no
EK&EG PRO Series Subracks	Pozidrive c/sk screw GB/T819.1-2000	For plastic handle 3 HP/4 HP on front panel of plug-in	Stainless steel	M2.5*5	1	1004012
EK&EG+ PRO Series Subracks	Pozidrive c/sk screw GB/T819.1-2000	For plastic handle 3 HP/4 HP on front panel of plug-in units	Stainless steel	M2.5*6	1	1004011
BEK&BEG PRO Series Subracks	Pozidrive c/sk screw GB/T819.1-2000	For printed boards on front panel	Stainless steel	M2.5*8	1	1004015
Handle specification and accessories	 Pozidrive c/sk screw GB/T819.1-2000	For printed boards on front panel	Stainless steel	M2.5*8	1	1004266
Guide rail specification and accessories	Pozidrive c/sk screw GB/T819.1-2000	For printed board bracket on the front panel	Stainless steel	M2.5*10	1	1004014
19" CUR Series Subracks	Pozidrive c/sk screw GB/T819.1-2000	To screw on cover plate	Stainless steel	M3*6	1	1004040
SNCF Series Subracks	Pozidrive c/sk screw GB/T819.1-2000	For printed board bracket on the front panel	Stainless steel	M3*8	1	1004041
Shielded plug-in units Series Subracks	Pozidrive c/sk screw GB/T819.1-2000	For printed board bracket on the front panel	Stainless steel, boiling black	M3*8	1	1004042
VERO Series Subracks	Torx panhead screw GB 2672-86	For printed board assembly	Stainless steel	M2.5*6	1	1004241
Protective Series Subracks	Torx panhead screw GB 2672-86	For Z-rails and connector assembly	Stainless steel	M2.5*7	1	1004273
CASE Series Subracks	Torx panhead screw GB 2672-86	For perforated rail	Stainless steel	M2.5*10	1	1004277
Type A Series Subracks	Torx panhead screw GB 2672-86	For backplane assembly	nickeling	M2.5*14	1	1004262
Integrated side panel series subracks	 Torx panhead screw GB 2672-86	Used for fixing crossbeams	Stainless steel	M4*4.5	1	1004336
IN-S Series Subracks	Torx panhead screw GB 2672-86	Used for fixing crossbeams	Galvanized carbon steel	M4*4.5	1	1004337
Subracks Accessories	Torx panhead screw GB 2672-86	Cover plate and tray used to fix the chassis	Stainless steel	M4*6	1	1004240
Panel component	Torx panhead screw GB 2672-86	Used for fixing crossbeams	Stainless steel	M4*10	1	1004242
Order no. and page Table	Torx panhead screw GB 2672-86	Used for fixing crossbeams	Galvanization	M4*14	1	1004251
	 Torx countersunk screw, self-tapping GB 2672-86	Fixed for aluminum profile guide rails	Stainless steel	M2.5*7.3	1	1004230
	Torx countersunk screw, self-tapping GB 2672-86	Fixed for Plastic Guides	Stainless steel	M2.5*9.3	1	1004231
	Torx countersunk screw, self-tapping GB 2672-86	For backplane assembly	Stainless steel	M2.5*12	1	1004272

Subracks Accessories



Screw

	Description	Application	Material	Size	Qty/PU	Order no
	Square nut GB 39-88	For handle on front panel of plug-in	Stainless steel	M2.5	1	1005002
	Hex nut GB/T41-2000	For printed boards on front panel	Stainless steel	M2.5	1	1005001
	Metal sleeve	For assembly of front panels	Plastics	M2.5	1	1014002
	Metal sleeve	For assembly of front panels	Brass, nickel plated	M2.5	1	1014003
	Cover plate printed board bracket	Assembly of cover plate and Side panel	Stainless steel	/	1	1015007
	Plastic parts	V-handle to panel assembly	Plastics	/	1	1000066
	Grub screw DIN553-1986	For threaded inserts M2.5	Stainless steel	M2.5*8	1	1004227
	Grub screw DIN553-1986	For threaded inserts M2.5 and perforated strips	Stainless steel	M2.5*9	1	1004226

EK&EG PRO
Series Subracks

EK+IEG+PRO
Series Subracks

BEK&BEG PRO
Series Subracks

Handle
specification
and accessories

Guide rail
specification
and accessories

19"CUR
Series Subracks

SNCF
Series Subracks

Shielded
plug-in units
Series Subracks

VERO
Series Subracks

Protective
Series Subracks

CASE
Series Subracks

Type A
Series Subracks

Integrated
side panel
series subracks

IN-S
Series Subracks

Subracks
Accessories

Panel
component

Order no.
and page Table

I Panel component

3U Panel component

Panel profile



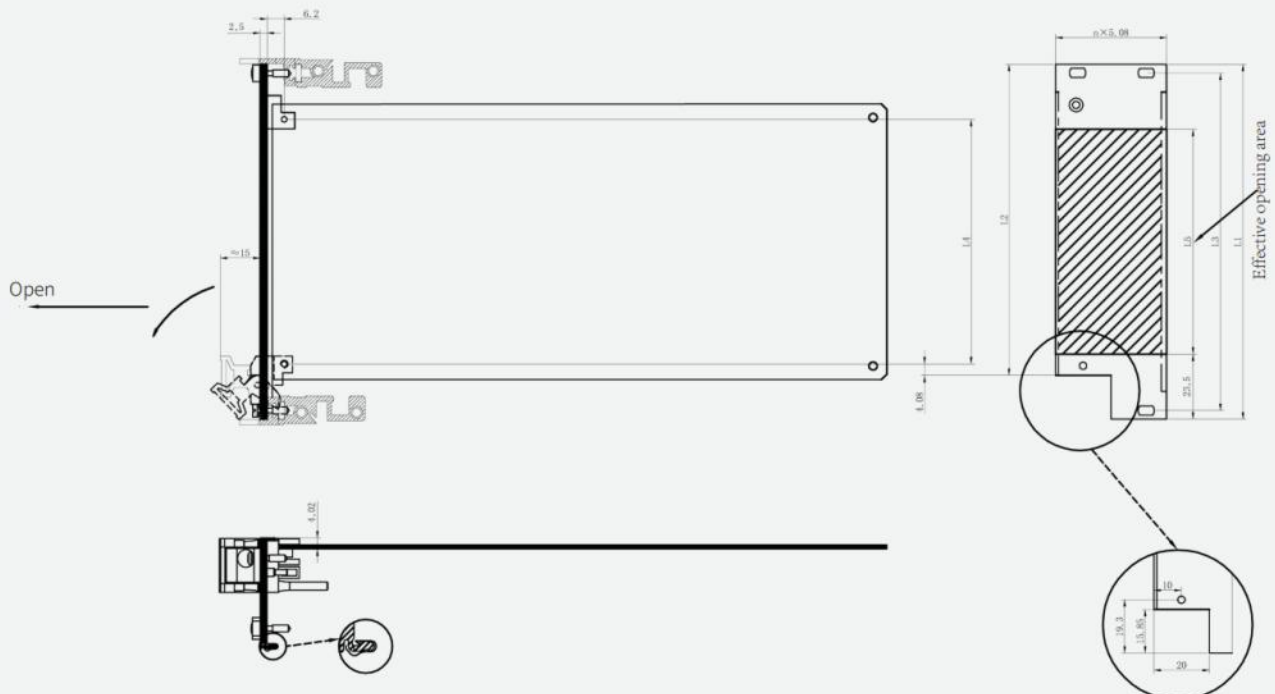
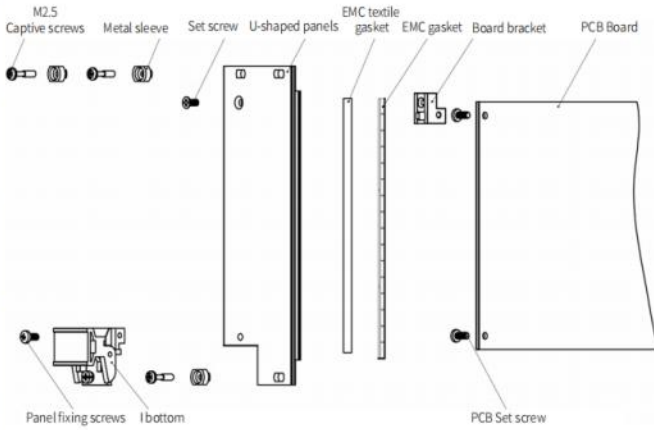
I profile

II profile

III profile

Delivery Comprises(kit)

Name	Qty	Order no	Description
I bottom	1	1002003	Install in the bottom panel
Metal sleeve	3	1014002	Plastic
Metal sleeve	3	1014003	Brass
U-shaped panels	1	/	Front anodised rear conductive
EMC textile gasket	1	1008038	Textile gasket
Captive screws	3	1004023	Cross/captive screws M2.5 x 12 Stainless steel
EMC gasket	1	1008015	Shielding tape
PCB Set screw	2	1004004	Pan head Pozidrive c/sk screw M2.5 x 6 Stainless steel
Set screw	1	1004011	Pozidrive c/sk screw Stainless steel
Panel fixing screws	1	1004004	Pan head Pozidrive c/sk screw M2.5 x 6 Stainless steel
Printed board bracket	1	1015004	Printed board bracket, Die-cast zinc



Effective opening area

Height	L1mm	L2mm	L3mm	L4mm	L5mm
3U	128.7	112.85	122.5	88.9	81.7
4U	173.15	157.3	166.95	133.35	126.15
6U	262.05	246.2	255.85	222.25	215.05
9U	395.4	379.55	389.2	355.6	348.4

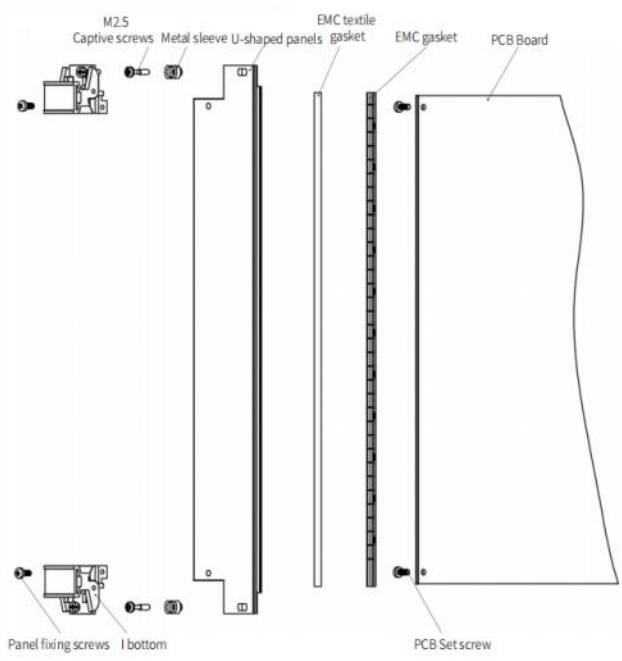
3U Panel component

I Handle order information

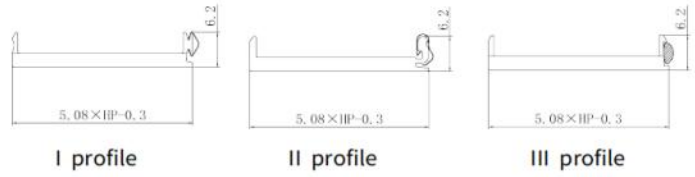
Width	I Panel	II Panel	III Panel	EMC gasket	EMC textile gasket	Grey handle	Black handle	Order no
4HP	1			1		1		130402130
4HP		1		1		1		230402130
4HP			1	1		1		330402130
4HP			1		1	1		330402131
4HP	1			1			1	130402140
4HP		1		1			1	230402140
4HP			1	1			1	330402140
4HP			1		1		1	330402141
5HP	1			1		1		130502130
5HP		1		1		1		230502130
5HP			1	1		1		330502130
5HP			1		1	1		330502131
5HP	1			1			1	130502140
5HP		1		1			1	230502140
5HP			1	1			1	330502140
5HP			1		1		1	330502141
6HP	1			1		1		130602130
6HP		1		1		1		230602130
6HP			1	1		1		330602130
6HP			1		1	1		330602131
6HP	1			1			1	130602140
6HP		1		1			1	230602140
6HP			1	1			1	330602140
6HP			1		1		1	330602141
7HP	1			1		1		130702130
7HP		1		1		1		230702130
7HP			1	1		1		330702130
7HP			1		1	1		330702131
7HP	1			1			1	130702140
7HP		1		1			1	230702140
7HP			1	1			1	330702140
7HP			1		1		1	330702141
8HP	1			1		1		130802130
8HP		1		1		1		230802130
8HP			1	1		1		330802130
8HP			1		1	1		330802131
8HP	1			1			1	130802140
8HP		1		1			1	230802140
8HP			1	1			1	330802140
8HP			1		1		1	330802141
10HP	1			1		1		131002130
10HP		1		1		1		231002130
10HP			1	1		1		331002130
10HP			1		1	1		331002131
10HP	1			1			1	131002140
10HP		1		1			1	231002140
10HP			1	1			1	331002140
10HP			1		1		1	331002141
12HP	1			1		1		131202130
12HP		1		1		1		231202130
12HP			1	1		1		331202130
12HP			1		1	1		331202131
12HP	1			1			1	131202140
12HP		1		1			1	231202140
12HP			1	1			1	331202140
12HP			1		1		1	331202141

EM&EG PRO Series Subracks
 EK+EG+ PRO Series Subracks
 BEK&BEG PRO Series Subracks
 Handle specification and accessories
 Guide rail specification and accessories
 19" CUR Series Subracks
 SNCF Series Subracks
 Shielded plug-in units Series Subracks
 VERO Series Subracks
 Protective Series Subracks
 CASE Series Subracks
 Type A Series Subracks
 Integrated side panel series subracks
 IN-S Series Subracks
 Subracks Accessories
 Panel component
 Order no. and page table

6U Panel component

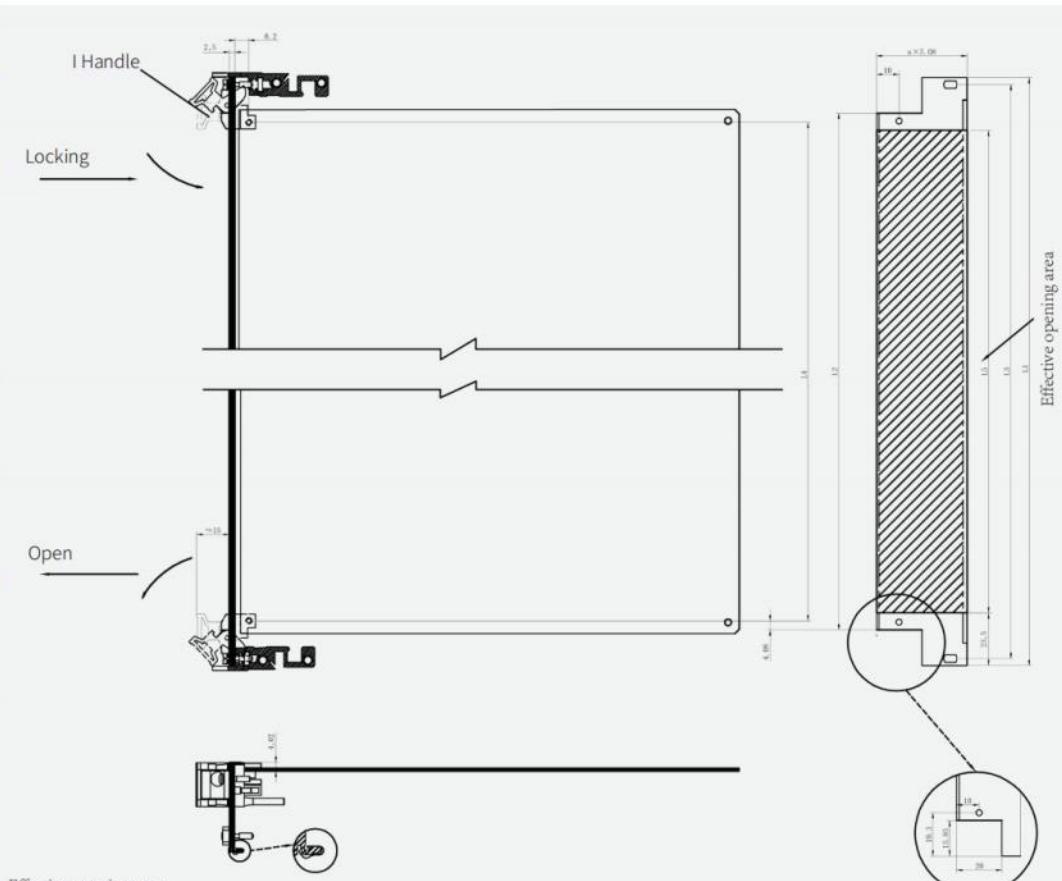


Panel profile



Delivery Comprises(kit)

Name	Qty	Order no	Description
I Top	1	1002001	Install in the top panel
I bottom	1	1002003	Install in the bottom panel
Metal sleeve	2	1014002	Plastic
Metal sleeve	2	1014003	Brass
U-shaped panels	1	/	Front anodised rear conductive
Textile gasket	1	1008038	Textile gasket
Captive screws	2	1004023	Cross/captive screws M2.5×12 Stainless steel
Panel fixing screws	2	1004004	Pan head Pozidrive c/sk screw M2.5×6 Stainless steel
EMC gasket	1	1008015	Shielding tape
PCB Set screw	2	1004004	Pan head Pozidrive c/sk screw M2.5×6 Stainless steel



Effective opening area

Height	L1mm	L2mm	L3mm	L4mm	L5mm
3U	128.7	112.85	122.5	88.9	81.7
4U	173.15	157.3	166.95	133.35	126.15
6U	262.05	246.2	255.85	222.25	215.05
9U	395.4	379.55	389.2	355.6	348.4

EK&EG PRO Series Subracks
 EK&EG+PRO Series Subracks
 BEK&BEG PRO Series Subracks
 Handle specification and accessories
 Guide rail specification and accessories
 19" CUR Series Subracks
 SNCF Series Subracks
 Shielded plug-in units Series Subracks
 VERO Series Subracks
 Protective Series Subracks
 CASE Series Subracks
 Type A Series Subracks
 Integrated side panel series subracks
 IN-S Series Subracks
 Subracks Accessories
 Panel component
 Order no. and page table

I Panel component

6U Panel component

I Handle order information

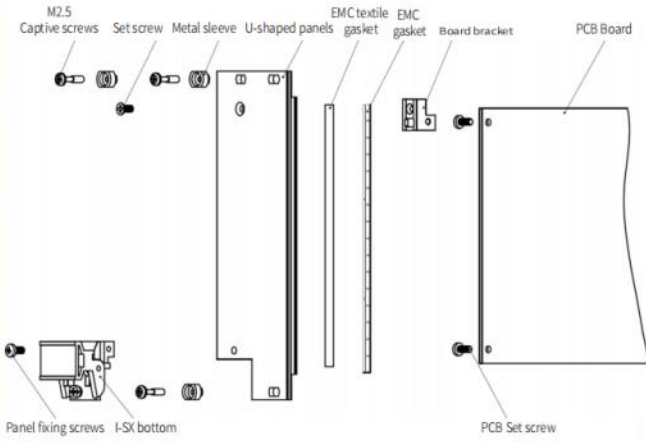
Width	I Panel	II Panel	III Panel	EMC gasket	EMC textile gasket	Grey handle	Black handle	Order no
4HP	1			1		1		160402130
4HP		1		1		1		260402130
4HP			1	1		1		360402130
4HP			1		1	1		360402131
4HP	1			1			1	160402140
4HP		1		1			1	260402140
4HP			1	1			1	360402140
4HP			1		1		1	360402141
5HP	1			1		1		160502130
5HP		1		1		1		260502130
5HP			1	1		1		360502130
5HP			1		1	1		360502131
5HP	1			1			1	160502140
5HP		1		1			1	260502140
5HP			1	1			1	360502140
5HP			1		1		1	360502141
6HP	1			1		1		160602130
6HP		1		1		1		260602130
6HP			1	1		1		360602130
6HP			1		1	1		360602131
6HP	1			1			1	160602140
6HP		1		1			1	260602140
6HP			1	1			1	360602140
6HP			1		1		1	360602141
7HP	1			1		1		160702130
7HP		1		1		1		260702130
7HP			1	1		1		360702130
7HP			1		1	1		360702131
7HP	1			1			1	160702140
7HP		1		1			1	260702140
7HP			1	1			1	360702140
7HP			1		1		1	360702141
8HP	1			1		1		160802130
8HP		1		1		1		260802130
8HP			1	1		1		360802130
8HP			1		1	1		360802131
8HP	1			1			1	160802140
8HP		1		1			1	260802140
8HP			1	1			1	360802140
8HP			1		1		1	360802141
10HP	1			1		1		161002130
10HP		1		1		1		261002130
10HP			1	1		1		361002130
10HP			1		1	1		361002131
10HP	1			1			1	161002140
10HP		1		1			1	261002140
10HP			1	1			1	361002140
10HP			1		1		1	361002141
12HP	1			1		1		161202130
12HP		1		1		1		261202130
12HP			1	1		1		361202130
12HP			1		1	1		361202131
12HP	1			1			1	161202140
12HP		1		1			1	261202140
12HP			1	1			1	361202140
12HP			1		1		1	361202141

EK&EG PRO Series Subracks
EK+EG+PRO Series Subracks
BEK&BEG PRO Series Subracks
Handle specification and accessories
Guide rail specification and accessories
19"CUR Series Subracks
SNCF Series Subracks
Shielded plug-in units Series Subracks
VERO Series Subracks
Protective Series Subracks
CASE Series Subracks
Type A Series Subracks
Integrated side-panel series subracks
IN-S Series Subracks
Subracks Accessories
Panel component
Order no. and page table

I-SX Panel component



3U Panel component

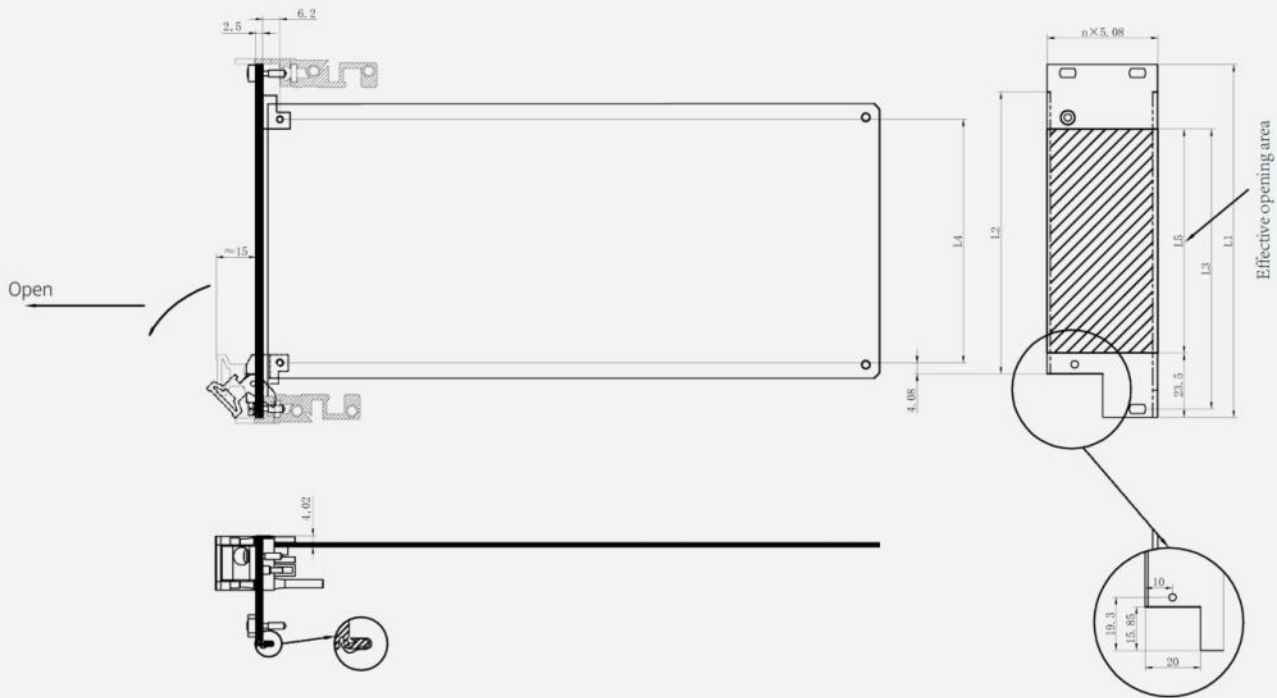


Panel profile



Delivery Comprises(kit)

Name	Qty	Order no	Description
I -SX bottom	1	1002007	Install in the bottom panel
Metal sleeve	3	1014002	Plastic
Metal sleeve	3	1014003	Brass
U-shaped panels	1	/	Front anodised rear conductive
EMC textile gasket	1	1008038	Textile gasket
Captive screws	3	1004023	Cross/captive screws M2.5 x 12 Stainless steel
EMC gasket	1	1008015	Shielding tape
PCB Set screw	2	1004004	Pan head Pozidrive c/sk screw M2.5 x 6 Stainless steel
Set screw	1	1004011	Pozidrive c/sk screw Stainless steel
Panel fixing screws	1	1004004	Pan head Pozidrive c/sk screw M2.5 x 6 Stainless steel
Printed board bracket	1	1015004	Printed board bracket, Die-cast zinc



Effective opening area

Height	L1mm	L2mm	L3mm	L4mm	L5mm
3U	128.7	96.9	122.5	88.9	81.7
4U	173.15	141.35	166.95	133.35	126.15
6U	262.05	230.25	255.85	222.25	215.05
9U	395.4	363.6	389.2	355.6	348.4

I-SX Panel component



3U Panel component

I-SX Handle order information

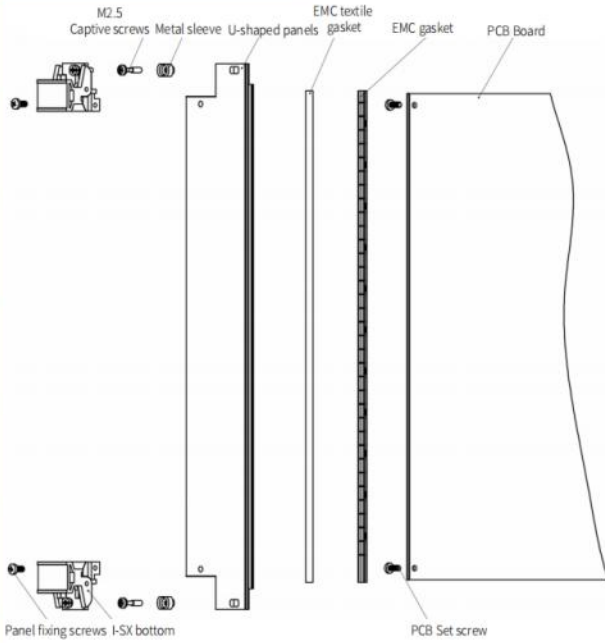
Width	I Panel	II Panel	III Panel	EMCgasket	EMC textile gasket	Grey handle	Black handle	Order no
4HP	1			1		1		130402230
4HP		1		1		1		230402230
4HP			1	1		1		330402230
4HP			1		1	1		330402231
4HP	1			1			1	130402240
4HP		1		1			1	230402240
4HP			1	1			1	330402240
4HP			1		1		1	330402241
5HP	1			1		1		130502230
5HP		1		1		1		230502230
5HP			1	1		1		330502230
5HP			1		1	1		330502231
5HP	1			1			1	130502240
5HP		1		1			1	230502240
5HP			1	1			1	330502240
5HP			1		1		1	330502241
6HP	1			1		1		130602230
6HP		1		1		1		230602230
6HP			1	1		1		330602230
6HP			1		1	1		330602231
6HP	1			1			1	130602240
6HP		1		1			1	230602240
6HP			1	1			1	330602240
6HP			1		1		1	330602241
7HP	1			1		1		130702230
7HP		1		1		1		230702230
7HP			1	1		1		330702230
7HP			1		1	1		330702231
7HP	1			1			1	130702240
7HP		1		1			1	230702240
7HP			1	1			1	330702240
7HP			1		1		1	330702241
8HP	1			1		1		130802230
8HP		1		1		1		230802230
8HP			1	1		1		330802230
8HP			1		1	1		330802231
8HP	1			1			1	130802240
8HP		1		1			1	230802240
8HP			1	1			1	330802240
8HP			1		1		1	330802241
10HP	1			1		1		131002230
10HP		1		1		1		231002230
10HP			1	1		1		331002230
10HP			1		1	1		331002231
10HP	1			1			1	131002240
10HP		1		1			1	231002240
10HP			1	1			1	331002240
10HP			1		1		1	331002241
12HP	1			1		1		131202230
12HP		1		1		1		231202230
12HP			1	1		1		331202230
12HP			1		1	1		331202231
12HP	1			1			1	131202240
12HP		1		1			1	231202240
12HP			1	1			1	331202240
12HP			1		1		1	331202241

EK&BEG PRO Series Subtracks
 EK&BEG+PRO Series Subtracks
 BEK&BEG PRO Series Subtracks
 Handle specification and accessories
 Guide rail specification and accessories
 19"CUR Series Subtracks
 SNCF Series Subtracks
 Shielded plug-in units Series Subtracks
 VERO Series Subtracks
 Protective Series Subtracks
 CASE Series Subtracks
 Type A Series Subtracks
 Integrated side panel series subtracks
 IN-S Series Subtracks
 Subtracks Accessories
 Panel component
 Order no. and page table

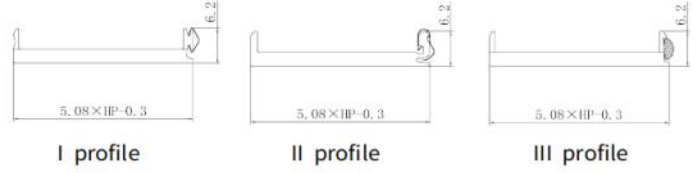
I-SX Panel component



6U Panel component

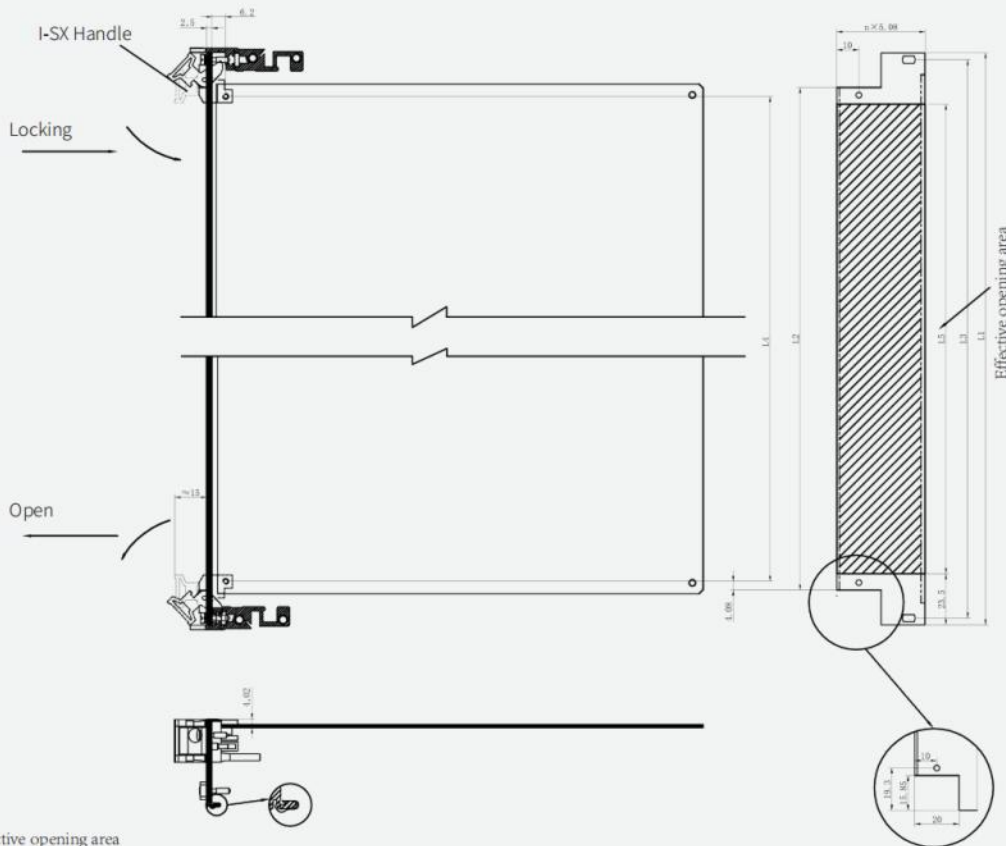


Panel profile



Delivery Comprises(kit)

Name	Qty	Order no	Description
I-SX Top	1	1002006	Install in the top panel
I-SX bottom	1	1002007	Install in the bottom panel
Metal sleeve	2	1014002	Plastic
Metal sleeve	2	1014003	Brass
U-shaped panels	1	/	Front anodised rear conductive
Textile gasket	1	1008038	Textile gasket
Captive screws	2	1004023	Cross/captive screws M2.5×12 Stainless steel
Panel fixing screws	2	1004004	Pan head Pozidrive c/sk screw M2.5×6 Stainless steel
EMC gasket	1	1008015	Shielding tape
PCB Set screw	2	1004004	Pan head Pozidrive c/sk screw M2.5×6 Stainless steel



Effective opening area

Height	L1mm	L2mm	L3mm	L4mm	L5mm
3U	128.7	96.9	122.5	88.9	81.7
4U	173.15	141.35	166.95	133.35	126.15
6U	262.05	230.25	255.85	222.25	215.05
9U	395.4	363.6	389.2	355.6	348.4

I-SX Panel component



6U Panel component

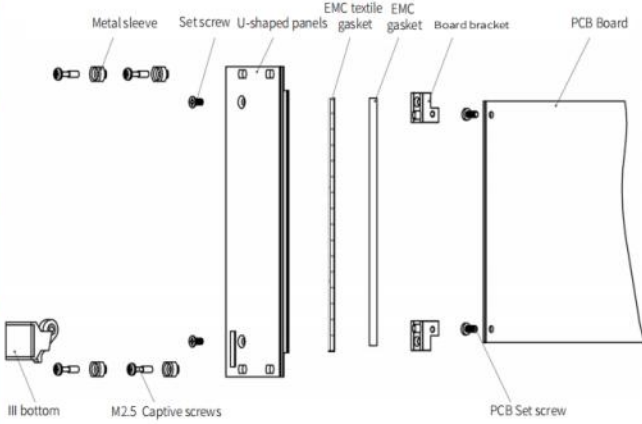
I-SX Handle order information

Width	I Panel	II Panel	III Panel	EMCgasket	EMC textile gasket	Grey handle	Black handle	Order no	
4HP	1			1		1		160402230	EK&EG PRO Series Subracks
4HP		1		1		1		260402230	EK&EG+PRO Series Subracks
4HP			1	1		1		360402230	BEK&BEG PRO Series Subracks
4HP			1		1	1		360402231	BEK&BEG PRO Series Subracks
4HP	1			1			1	160402240	Handle specification and accessories
4HP		1		1			1	260402240	Handle specification and accessories
4HP			1	1			1	360402240	Handle specification and accessories
4HP			1		1		1	360402241	Handle specification and accessories
5HP	1			1		1		160502230	Guide rail specification and accessories
5HP		1		1		1		260502230	Guide rail specification and accessories
5HP			1	1		1		360502230	Guide rail specification and accessories
5HP			1		1	1		360502231	Guide rail specification and accessories
5HP	1			1			1	160502240	19" CUR Series Subracks
5HP		1		1			1	260502240	19" CUR Series Subracks
5HP			1	1			1	360502240	19" CUR Series Subracks
5HP			1		1		1	360502241	19" CUR Series Subracks
6HP	1			1		1		160602230	SNCF Series Subracks
6HP		1		1		1		260602230	SNCF Series Subracks
6HP			1	1		1		360602230	SNCF Series Subracks
6HP			1		1	1		360602231	SNCF Series Subracks
6HP	1			1			1	160602240	Shielded plug-in units Series Subracks
6HP		1		1			1	260602240	Shielded plug-in units Series Subracks
6HP			1	1			1	360602240	Shielded plug-in units Series Subracks
6HP			1		1		1	360602241	Shielded plug-in units Series Subracks
7HP	1			1		1		160702230	VERO Series Subracks
7HP		1		1		1		260702230	VERO Series Subracks
7HP			1	1		1		360702230	VERO Series Subracks
7HP			1		1	1		360702231	VERO Series Subracks
7HP	1			1			1	160702240	Protective Series Subracks
7HP		1		1			1	260702240	Protective Series Subracks
7HP			1	1			1	360702240	Protective Series Subracks
7HP			1		1		1	360702241	Protective Series Subracks
7HP	1			1		1		160802230	CASE Series Subracks
8HP		1		1		1		260802230	CASE Series Subracks
8HP			1	1		1		360802230	CASE Series Subracks
8HP			1		1	1		360802231	CASE Series Subracks
8HP	1			1			1	160802240	Type A Series Subracks
8HP		1		1			1	260802240	Type A Series Subracks
8HP			1	1			1	360802240	Type A Series Subracks
8HP			1		1		1	360802241	Type A Series Subracks
10HP	1			1		1		161002230	Integrated side panel series subracks
10HP		1		1		1		261002230	Integrated side panel series subracks
10HP			1	1		1		361002230	IN-S Series Subracks
10HP			1		1	1		361002231	IN-S Series Subracks
10HP	1			1			1	161002240	Subracks Accessories
10HP		1		1			1	261002240	Subracks Accessories
10HP			1	1			1	361002240	Subracks Accessories
10HP			1		1		1	361002241	Subracks Accessories
12HP	1			1		1		161202230	Panel component
12HP		1		1		1		261202230	Panel component
12HP			1	1		1		361202230	Panel component
12HP			1		1	1		361202231	Panel component
12HP	1			1			1	161202240	Order no. and page Table
12HP		1		1			1	261202240	Order no. and page Table
12HP			1	1			1	361202240	Order no. and page Table
12HP			1		1		1	361202241	Order no. and page Table

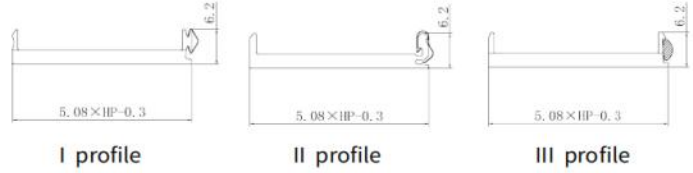
III Panel component



3U Panel component

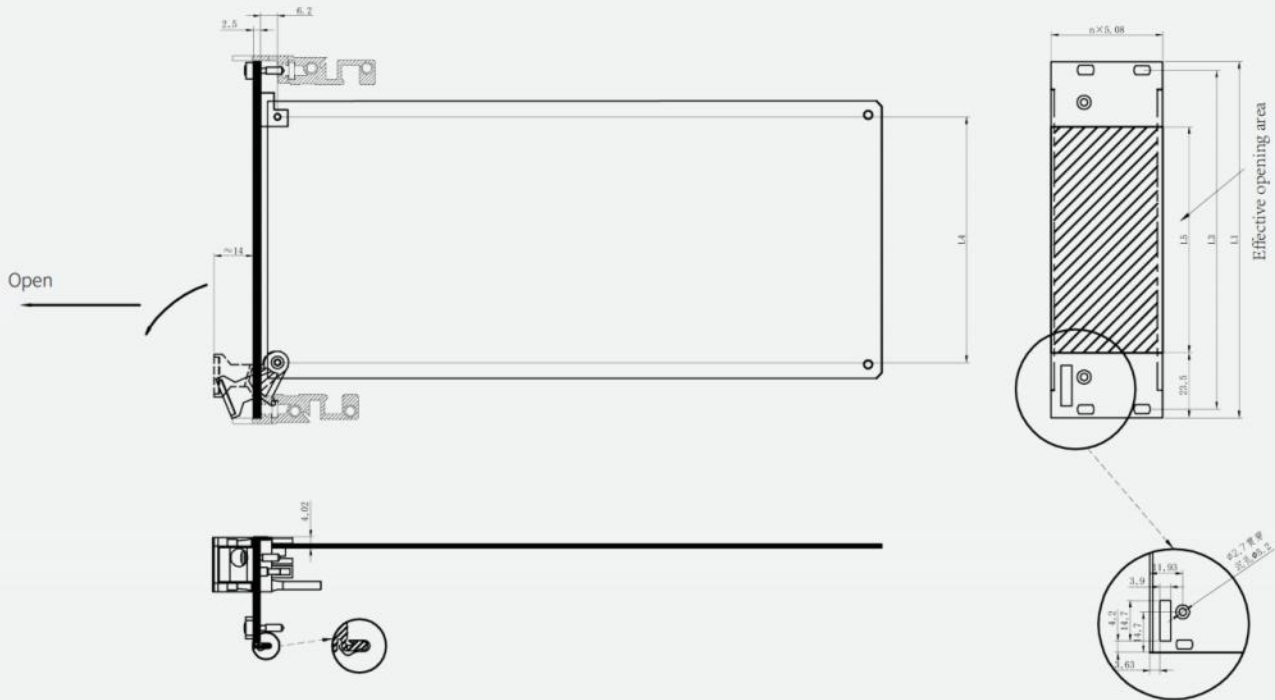


Panel profile



Delivery Comprises(kit)

Name	Qty	Order no	Description
III bottom	1	1002008	Install in the bottom panel
Metal sleeve	4	1014002	Plastic
Metal sleeve	4	1014003	Brass
U-shaped panels	1	/	Front anodised rear conductive
EMC textile gasket	1	1008038	Textile gasket
Captive screws	4	1004023	Cross/captive screws M2.5 x 12 Stainless steel
EMC gasket	1	1008015	Shielding tape
PCB Set screw	2	1004004	Pan head Pozidrive c/sk screw M2.5 x 6 Stainless steel
Set screw	2	1015004	Pozidrive c/sk screw Stainless steel
Printed board bracket	2	1004011	Printed board bracket, Die-cast zinc



Effective opening area

Height	L1mm	L3mm	L4mm	L5mm
3U	128.7	122.5	88.9	81.7
4U	173.15	166.95	133.35	126.15
6U	262.05	255.85	222.25	215.05
9U	395.4	389.2	355.60	348.4

3U Panel component

III Handle order information

Width	I Panel	II Panel	III Panel	EMCgasket	EMC textile gasket	Grey handle	Black handle	Order no
4HP	1			1		1		130402330
4HP		1		1		1		230402330
4HP			1	1		1		330402330
4HP			1		1	1		330402331
4HP	1			1			1	130402340
4HP		1		1			1	230402340
4HP			1	1			1	330402340
4HP			1		1		1	330402341
5HP	1			1		1		130502330
5HP		1		1		1		230502330
5HP			1	1		1		330502330
5HP			1		1	1		330502331
5HP	1			1			1	130502340
5HP		1		1			1	230502340
5HP			1	1			1	330502340
5HP			1		1		1	330502341
6HP	1			1		1		130602330
6HP		1		1		1		230602330
6HP			1	1		1		330602330
6HP			1		1	1		330602331
6HP	1			1			1	130602340
6HP		1		1			1	230602340
6HP			1	1			1	330602340
6HP			1		1		1	330602341
7HP	1			1		1		130702330
7HP		1		1		1		230702330
7HP			1	1		1		330702330
7HP			1		1	1		330702331
7HP	1			1			1	130702340
7HP		1		1			1	230702340
7HP			1	1			1	330702340
7HP			1		1		1	330702341
8HP	1			1		1		130802330
8HP		1		1		1		230802330
8HP			1	1		1		330802330
8HP			1		1	1		330802331
8HP	1			1			1	130802340
8HP		1		1			1	230802340
8HP			1	1			1	330802340
8HP			1		1		1	330802341
10HP	1			1		1		131002330
10HP		1		1		1		231002330
10HP			1	1		1		331002330
10HP			1		1	1		331002331
10HP	1			1			1	131002340
10HP		1		1			1	231002340
10HP			1	1			1	331002340
10HP			1		1		1	331002341
12HP	1			1		1		131202330
12HP		1		1		1		231202330
12HP			1	1		1		331202330
12HP			1		1	1		331202331
12HP	1			1			1	131202340
12HP		1		1			1	231202340
12HP			1	1			1	331202340
12HP			1		1		1	331202341

EK&EG PRO Series Subracks
EK+MEG+PRO Series Subracks
BEK&BEG PRO Series Subracks
Handle specification and accessories
Guide rail specification and accessories
19"CUR Series Subracks
SNCF Series Subracks
Shielded plug-in units Series Subracks
VERO Series Subracks
Protective Series Subracks
CASE Series Subracks
Type A Series Subracks
Integrated slide panel series subracks
IN-S Series Subracks
Subracks Accessories
Panel component
Order no. and page Table

III Panel component



6U Panel component

III Handle order information

Width	I Panel	II Panel	III Panel	EMCgasket	EMC textile gasket	Grey handle	Black handle	Order no
4HP	1			1		1		160402330
4HP		1		1		1		260402330
4HP			1	1		1		360402330
4HP			1		1	1		360402331
4HP	1			1			1	160402340
4HP		1		1			1	260402340
4HP			1	1			1	360402340
4HP			1		1		1	360402341
5HP	1			1		1		160502330
5HP		1		1		1		260502330
5HP			1	1		1		360502330
5HP			1		1	1		360502331
5HP	1			1			1	160502340
5HP		1		1			1	260502340
5HP			1	1			1	360502340
5HP			1		1		1	360502341
6HP	1			1		1		160602330
6HP		1		1		1		260602330
6HP			1	1		1		360602330
6HP			1		1	1		360602331
6HP	1			1			1	160602340
6HP		1		1			1	260602340
6HP			1	1			1	360602340
6HP			1		1		1	360602341
7HP	1			1		1		160702330
7HP		1		1		1		260702330
7HP			1	1		1		360702330
7HP			1		1	1		360702331
7HP	1			1			1	160702340
7HP		1		1			1	260702340
7HP			1	1			1	360702340
7HP			1		1		1	360702341
8HP	1			1		1		160802330
8HP		1		1		1		260802330
8HP			1	1		1		360802330
8HP			1		1	1		360802331
8HP	1			1			1	160802340
8HP		1		1			1	260802340
8HP			1	1			1	360802340
8HP			1		1		1	360802341
10HP	1			1		1		161002330
10HP		1		1		1		261002330
10HP			1	1		1		361002330
10HP			1		1	1		361002331
10HP	1			1			1	161002340
10HP		1		1			1	261002340
10HP			1	1			1	361002340
10HP			1		1		1	361002341
12HP	1			1		1		161202330
12HP		1		1		1		261202330
12HP			1	1		1		361202330
12HP			1		1	1		361202331
12HP	1			1			1	161202340
12HP		1		1			1	261202340
12HP			1	1			1	361202340
12HP			1		1		1	361202341

EK&EG PRO Series Subracks

EK+&EG+PRO Series Subracks

BEK&BEG PRO Series Subracks

Handle specification and accessories

Guide-rail specification and accessories

19"CUR Series Subracks

SNCF Series Subracks

Shielded plug-in units Series Subracks

VERO Series Subracks

Protective Series Subracks

CASE Series Subracks

Type A Series Subracks

Integrated slide panels series subracks

IN-S Series Subracks

Subracks Accessories

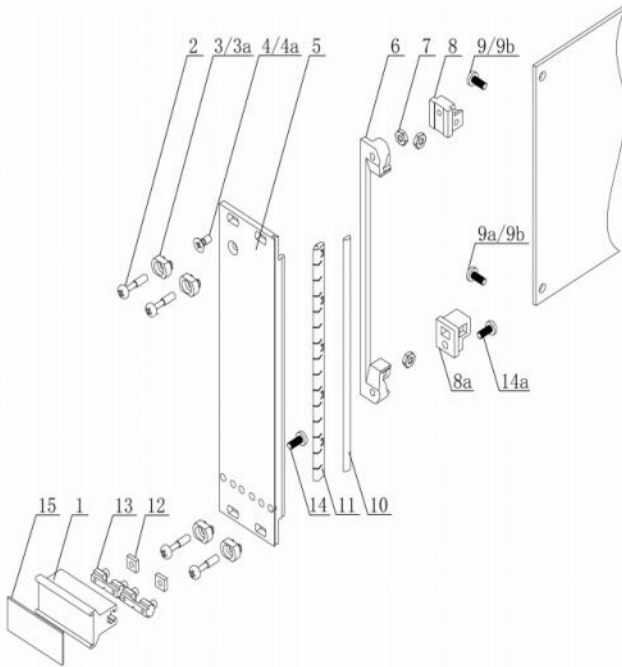
Panel component

Order no. and page Table

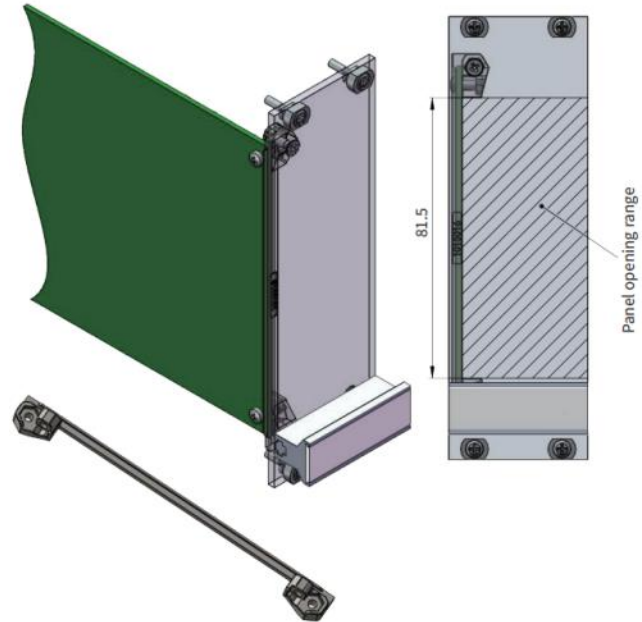
V Panel component



3U Panel component



3U PCB Board Installation dimension

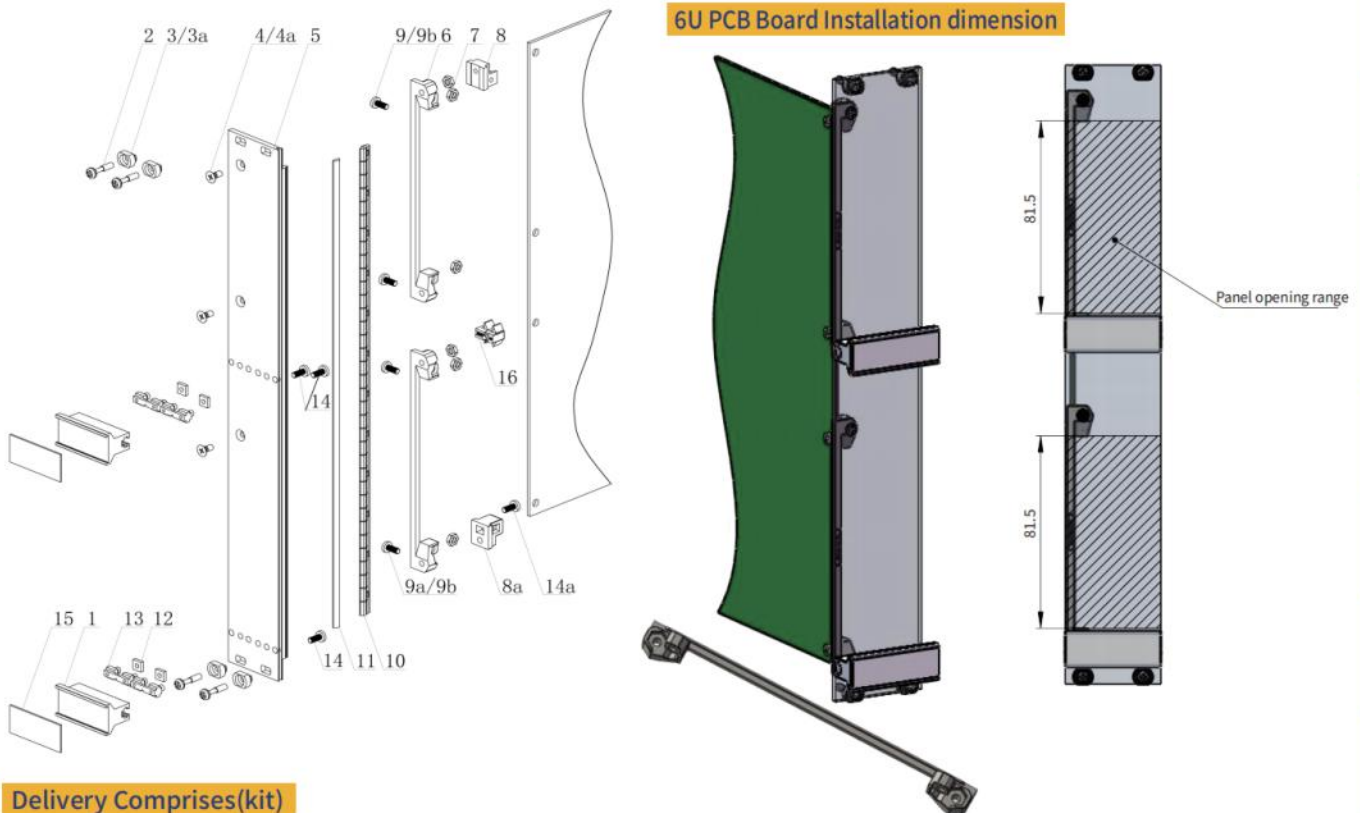


Delivery Comprises(kit)

Item	Name	Qty	Order no	Description
1	V-Handle	1	/	Install in the bottom panel
2	Captive screws	4	1004023	Cross/captive screws M2.5×12 Stainless steel
3	Metal sleeve	4	1014002	Plastic
3a	Metal sleeve	4	1014003	Brass
4	Panel fixing screws	1	1004011	Pozidrive c/sk screw M2.5×6 Stainless steel
4a	Panel fixing screws	1	1004015	Pozidrive c/sk screw M2.5×8 Stainless steel
5	U-shaped panels	1	/	Front anodised rear conductive
6	PCB bracket	1	1015016	PCB bracket, PC+20%GF,Grey, Plastic
7	Hex Nut	3	1005001	Hex Nut, M2.5, Stainless steel
8	Printed board bracket	1	1015001	Die-cast zinc
8a	Printed board bracket	1	1015005	PC+20%GF,Grey, It needs to be used together with one 9a and one 14a
9	PCB Set screw	1	1004004	Pan head Pozidrive c/sk screw M2.5×6 Stainless steel
9a	PCB Set screw	1	1004260	Pan head self-tapping screw M2.5×6 Stainless steel
9b	PCB Set screw	2	1004005	Pan head Pozidrive c/sk screw M2.5×8 Stainless steel
10	EMC textile gasket	1	1008038	EMC textile gasket
11	EMC gasket	1	1008015	EMC gasket
12	Square nut	2	1005002	Square nut, M2.5, Stainless steel
13	Plastic parts	2	1000066	Plastic parts, PC+20%GF,Grey
14	Set screw	1	1004004	Pan head Pozidrive c/sk screw M2.5×6 Stainless steel
14a	Set screw	1	1004005	Pan head Pozidrive c/sk screw M2.5×8 Stainless steel
15	Scutcheon	1	/	Identification plate,Al,1.5mm

V Panel component

6U Panel component



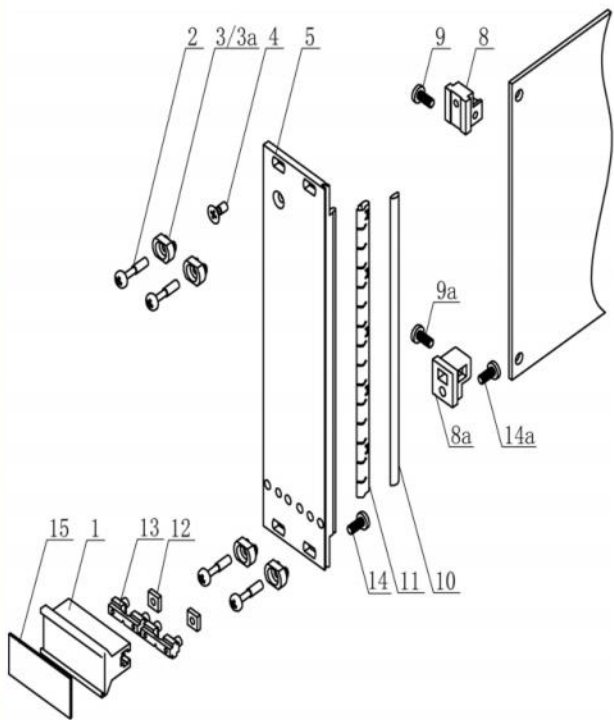
Delivery Comprises(kit)

Item	Name	Qty	Order no	Description
1	V-Handle	2	/	Install in the bottom panel
2	Captive screws	4	1004023	Cross/captive screws M2.5×12 Stainless steel
3	Metal sleeve	4	1014002	Plastic
3a	Metal sleeve	4	1014003	Brass
4	Panel fixing screws	3	1004011	Pozidrive c/sk screw M2.5×6 Stainless steel
4a	Panel fixing screws	3	1004015	Pozidrive c/sk screw M2.5×8 Stainless steel
5	U-shaped panels	1	/	Front anodised rear conductive
6	PCB bracket	2	1015016	PCB bracket, PC+20%GF,Grey, Plastic
7	Hex Nut	6	1005001	Hex Nut, M2.5, Stainless steel
8	Printed board bracket	1	1015001	Die-cast zinc
8a	Printed board bracket	1	1015005	PC+20%GF,Grey, It needs to be used together with one 9a and one 14a
9	PCB Set screw	3	1004004	Pan head Pozidrive c/sk screw M2.5×6 Stainless steel
9a	PCB Set screw	1	1004260	Pan head self-tapping screw M2.5×6 Stainless steel
9b	PCB Set screw	1	1004005	Pan head Pozidrive c/sk screw M2.5×8 Stainless steel
10	EMC textile gasket	1	1008038	EMC textile gasket
11	EMC gasket	1	1008015	EMC gasket
12	Square nut	4	1005002	Square nut, M2.5, Stainless steel
13	Plastic parts	4	1000066	Plastic parts, PC+20%GF,Grey
14	Set screw	3	1004004	Pan head Pozidrive c/sk screw M2.5×6 Stainless steel
14a	Set screw	1	1004005	Pan head Pozidrive c/sk screw M2.5×8 Stainless steel
15	Scutrcheon	2	/	Identification plate,Al,1.5mm
16	PCB Centre support	1	1015015	Centre support for printed boards, PC+20%GF

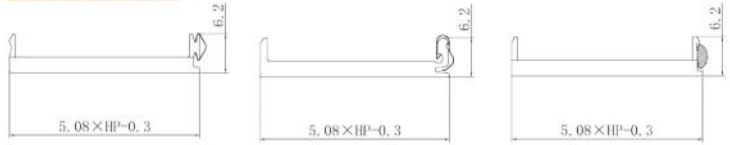
V Panel component



3U Panel component



Panel profile



I profile

II profile

III profile

Delivery Comprises(kit)

Item	Name	Qty	Order no	Description
1	V-Handle	1	/	Install in the bottom panel
2	Captive screws	4	1004023	Cross/captive screws M2.5×12 Stainless steel
3	Metal sleeve	4	1014002	Plastic
3a	Metal sleeve	4	1014003	Brass
4	Panel fixing screws	1	1004011	Pozidrive c/sk screw M2.5×6 Stainless steel
5	U-shaped panels	1	/	Front anodised rear conductive
8	Printed board bracket	1	1015001	Die-cast zinc
8a	Printed board bracket	1	1015005	PC+20%GF,Grey, It needs to be used together with one 9a and one 14a
9	PCB Set screw	1	1004004	Pan head Pozidrive c/sk screw M2.5×6 Stainless steel
9a	PCB Set screw	1	1004260	Pan head self-tapping screw M2.5×8 Stainless steel
10	EMC textile gasket	1	1008038	EMC textile gasket
11	EMC gasket	1	1008015	EMC gasket
12	Square nut	2	1005002	Square nut, M2.5, Stainless steel
13	Plastic parts	2	1000066	Plastic parts, PC+20%GF,Grey
14	Set screw	1	1004004	Pan head Pozidrive c/sk screw M2.5×6 Stainless steel
14a	Set screw	1	1004005	Pan head Pozidrive c/sk screw M2.5×8 Stainless steel
15	Scutcheon	1	/	Identification plate,Al,1.5mm

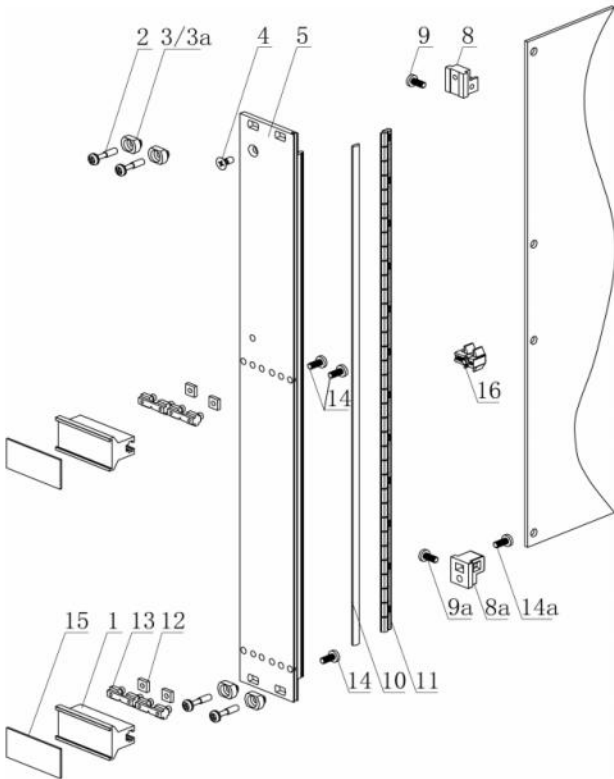
V Handle order information

Width	I Panel	II Panel	III Panel	Panel	EMCgasket	Grey handle	Order no
4HP	1				1	1	30401011
4HP		1			1	1	30401021
4HP			1		1	1	30401031
4HP				1	1	1	30401041
5HP	1				1	1	30501011
5HP		1			1	1	30501021
5HP			1		1	1	30501031
5HP				1	1	1	30501041
6HP	1				1	1	30601011
6HP		1			1	1	30601021
6HP			1		1	1	30601031
6HP				1	1	1	30601041
7HP	1				1	1	30701011
7HP		1			1	1	30701021
7HP			1		1	1	30701031
7HP				1	1	1	30701041
8HP	1				1	1	30801011
8HP		1			1	1	30801021
8HP			1		1	1	30801031
8HP				1	1	1	30801041
10HP	1				1	1	31001011
10HP		1			1	1	31001021
10HP			1		1	1	31001031
10HP				1	1	1	31001041
12HP	1				1	1	31201011
12HP		1			1	1	31201021
12HP			1		1	1	31201031
12HP				1	1	1	31201041

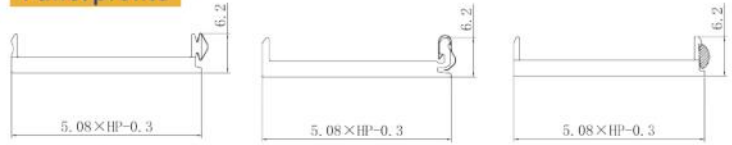
V Panel component



6U Panel component



Panel profile



I profile

II profile

III profile

Delivery Comprises(kit)

Item	Name	Qty	Order no	Description
1	V-Handle	2	/	Install in the bottom panel
2	Captive screws	4	1004023	Cross/captive screws M2.5×12 Stainless steel
3	Metal sleeve	4	1014002	Plastic
3a	Metal sleeve	4	1014003	Brass
4	Panel fixing screws	2	1004011	Pozidrive c/sk screw M2.5×6 Stainless steel
5	U-shaped panels	1	/	Front anodised rear conductive
8	Printed board bracket	1	1015001	Die-cast zinc
8a	Printed board bracket	1	1015005	PC+20%GF,Grey, It needs to be used together with one 9a and one 14a
9	PCB Set screw	1	1004004	Pan head Pozidrive c/sk screw M2.5×6 Stainless steel
9a	PCB Set screw	1	1004260	Pan head self-tapping screw M2.5×8 Stainless steel
10	EMC textile gasket	1	1008038	EMC textile gasket
11	EMC gasket	1	1008015	EMC gasket
12	Square nut	4	1005002	Square nut, M2.5, Stainless steel
13	Plastic parts	4	1000066	Plastic parts, PC+20%GF, Grey
14	Set screw	3	1004004	Pan head Pozidrive c/sk screw M2.5×6 Stainless steel
14a	Set screw	1	1004005	Pan head Pozidrive c/sk screw M2.5×8 Stainless steel
15	Scutcheon	2	/	Identification plate, Al, 1.5mm
16	PCB Centre support	1	1015015	Centre support for printed boards, PC+20%GF

V Handle order information

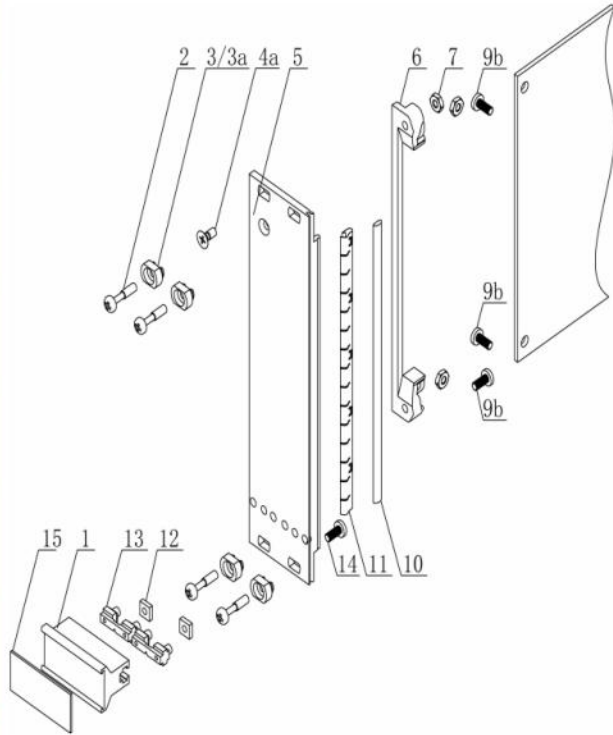
Width	I Panel	II Panel	III Panel	Panel	EMCgasket	Grey handle	Order no
4HP	1				1	1	60401011
4HP		1			1	1	60401021
4HP			1		1	1	60401031
4HP				1	1	1	60401041
5HP	1				1	1	60501011
5HP		1			1	1	60501021
5HP			1		1	1	60501031
5HP				1	1	1	60501041
6HP	1				1	1	60601011
6HP		1			1	1	60601021
6HP			1		1	1	60601031
6HP				1	1	1	60601041
7HP	1				1	1	60701011
7HP		1			1	1	60701021
7HP			1		1	1	60701031
7HP				1	1	1	60701041
8HP	1				1	1	60801011
8HP		1			1	1	60801021
8HP			1		1	1	60801031
8HP				1	1	1	60801041
10HP	1				1	1	61001011
10HP		1			1	1	61001021
10HP			1		1	1	61001031
10HP				1	1	1	61001041
12HP	1				1	1	61201011
12HP		1			1	1	61201021
12HP			1		1	1	61201031
12HP				1	1	1	61201041

EK&EG PRO Series Sub racks
 EK&EG+PRO Series Sub racks
 BEK&BEG PRO Series Sub racks
 Handle specification and accessories
 Guide rail specification and accessories
 19"CUR Series Sub racks
 SNCF Series Sub racks
 Shielded plug-in units Series Sub racks
 VERO Series Sub racks
 Protective Series Sub racks
 CASE Series Sub racks
 Type A Series Sub racks
 Integrated side panel series sub racks
 IN-S Series Sub racks
 Sub racks Accessories
 Panel component
 Order no. and page Table

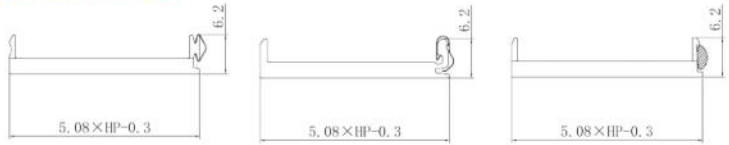
V Panel component



3U Panel component



Panel profile



I profile

II profile

III profile

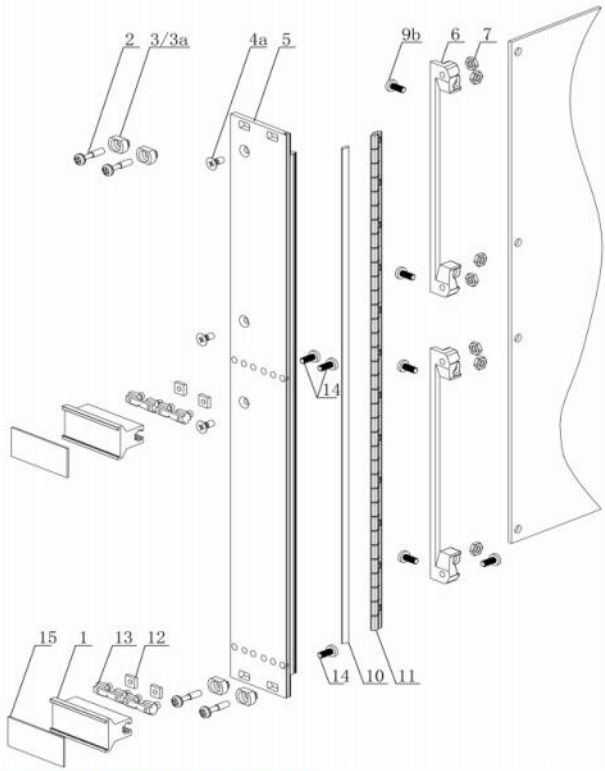
Delivery Comprises(kit)

Item	Name	Qty	Order no	Description
1	V-Handle	1	/	Install in the bottom panel
2	Captive screws	4	1004023	Cross/captive screws M2.5×12 Stainless steel
3	Metal sleeve	4	1014002	Plastic
3a	Metal sleeve	4	1014003	Brass
4a	Panel fixing screws	1	1004015	Pozidrive c/sk screw M2.5×8 Stainless steel
5	U-shaped panels	1	/	Front anodised rear conductive
6	PCB bracket	1	1015016	PCB bracket, PC+20%GF,Grey, Plastic
7	Hex Nut	3	1005001	Hex Nut, M2.5, Stainless steel
9b	PCB Set screw	3	1004005	Pan head Pozidrive c/sk screw M2.5×8 Stainless steel
10	EMC textile gasket	1	1008038	EMC textile gasket
11	EMCgasket	1	1008015	EMC gasket
12	Square nut	2	1005002	Square nut, M2.5, Stainless steel
13	Plastic parts	2	1000066	Plastic parts, PC+20%GF,Grey
14	Set screw	1	1004004	Pan head Pozidrive c/sk screw M2.5×6 Stainless steel
15	Scutcheon	1	/	Identification plate,Al,1.5mm

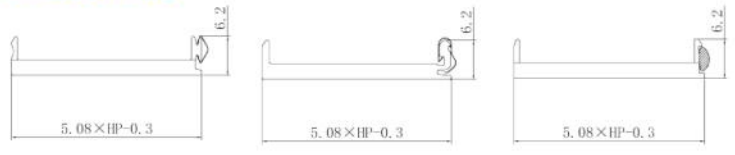
V Handle order information

Width	I Panel	II Panel	III Panel	Panel	EMCgasket	Grey handle	Order no
4HP	1				1	1	30401012
4HP		1			1	1	30401022
4HP			1		1	1	30401032
4HP				1	1	1	30401042
5HP	1				1	1	30501012
5HP		1			1	1	30501022
5HP			1		1	1	30501032
5HP				1	1	1	30501042
6HP	1				1	1	30601012
6HP		1			1	1	30601022
6HP			1		1	1	30601032
6HP				1	1	1	30601042
7HP	1				1	1	30701012
7HP		1			1	1	30701022
7HP			1		1	1	30701032
7HP				1	1	1	30701042
8HP	1				1	1	30801012
8HP		1			1	1	30801022
8HP			1		1	1	30801032
8HP				1	1	1	30801042
10HP	1				1	1	31001012
10HP		1			1	1	31001022
10HP			1		1	1	31001032
10HP				1	1	1	31001042
12HP	1				1	1	31201012
12HP		1			1	1	31201022
12HP			1		1	1	31201032
12HP				1	1	1	31201042

6U Panel component



Panel profile



I profile

II profile

III profile

Delivery Comprises(kit)

Item Name	Qty	Order no	Description
1 V-Handle	2	/	Install in the bottom panel
2 Captive screws	4	1004023	Cross/captive screws M2.5×12 Stainless steel
3 Metal sleeve	4	1014002	Plastic
3a Metal sleeve	4	1014003	Brass
4a Panel fixing screws	1	1004015	Pozidrive c/sk screw M2.5×8 Stainless steel
5 U-shaped panels	1	/	Front anodised rear conductive
6 PCB bracket	2	1015016	PCB bracket, PC+20%GF,Grey, Plastic
7 Hex Nut	7	1005001	Hex Nut, M2.5, Stainless steel
9b PCB Set screw	5	1004005	Pan head Pozidrive c/sk screw M2.5×8 Stainless steel
10 EMC textile gasket	1	1008038	EMC textile gasket
11 EMCgasket	1	1008015	EMC gasket
12 Square nut	4	1005002	Square nut, M2.5, Stainless steel
13 Plastic parts	4	1000066	Plastic parts, PC+20%GF,Grey
14 Set screw	3	1004004	Pan head Pozidrive c/sk screw M2.5×6 Stainless steel
15 Scutcheon	2	/	Identification plate,Al,1.5mm

V Handle order information

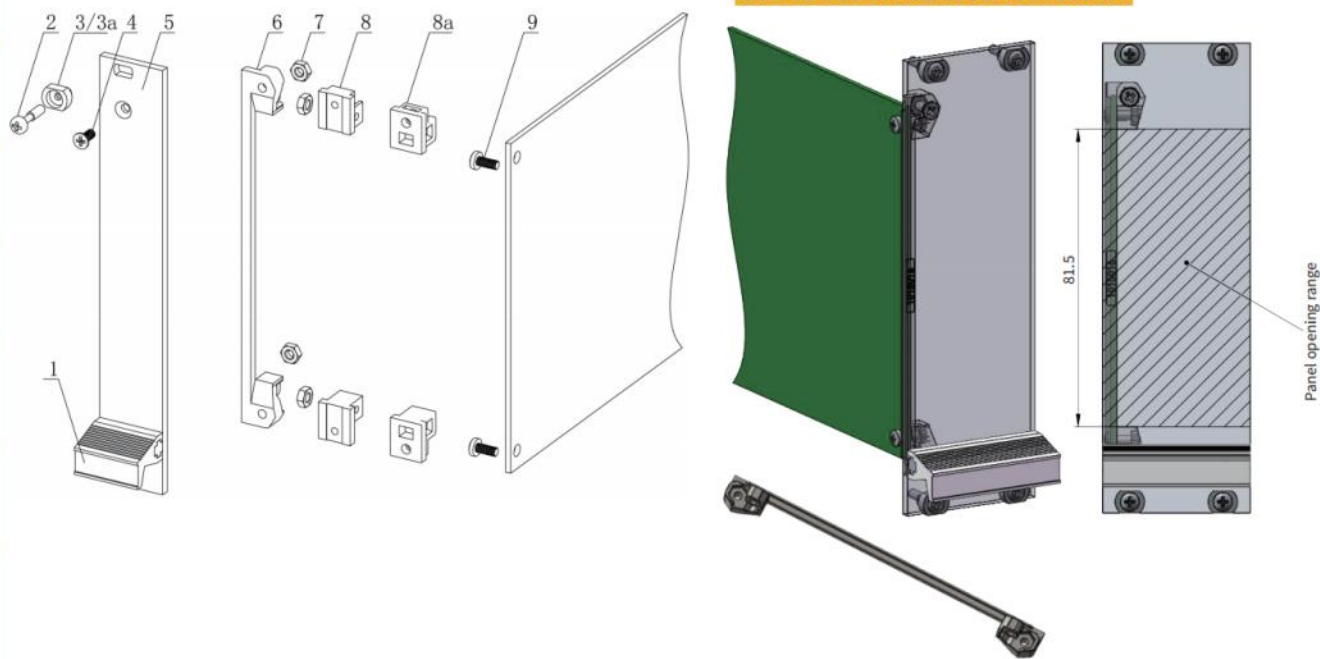
Width	I Panel	II Panel	III Panel	Panel	EMCgasket	Grey handle	Order no
4HP	1				1	1	60401012
4HP		1			1	1	60401022
4HP			1		1	1	60401032
4HP				1	1	1	60401042
5HP	1				1	1	60501012
5HP		1			1	1	60501022
5HP			1		1	1	60501032
5HP				1	1	1	60501042
6HP	1				1	1	60601012
6HP		1			1	1	60601022
6HP			1		1	1	60601032
6HP				1	1	1	60601042
7HP	1				1	1	60701012
7HP		1			1	1	60701022
7HP			1		1	1	60701032
7HP				1	1	1	60701042
8HP	1				1	1	60801012
8HP		1			1	1	60801022
8HP			1		1	1	60801032
8HP				1	1	1	60801042
10HP	1				1	1	61001012
10HP		1			1	1	61001022
10HP			1		1	1	61001032
10HP				1	1	1	61001042
12HP	1				1	1	61201012
12HP		1			1	1	61201022
12HP			1		1	1	61201032
12HP				1	1	1	61201042

EK&EG PRO Series Subracks
 EK+MEG+ PRO Series Subracks
 BEK&BEG PRO Series Subracks
 Handle specification and accessories
 Guide rail specification and accessories
 19"CUR Series Subracks
 SNCF Series Subracks
 Shielded plug-in units Series Subracks
 VERO Series Subracks
 Protective Series Subracks
 CASE Series Subracks
 Type A Series Subracks
 Integrated side panel series subracks
 IN-S Series Subracks
 Subracks Accessories
 Panel component
 Order no. and page Table

VI Panel component



3U Panel component



3U PCB Board Installation dimension

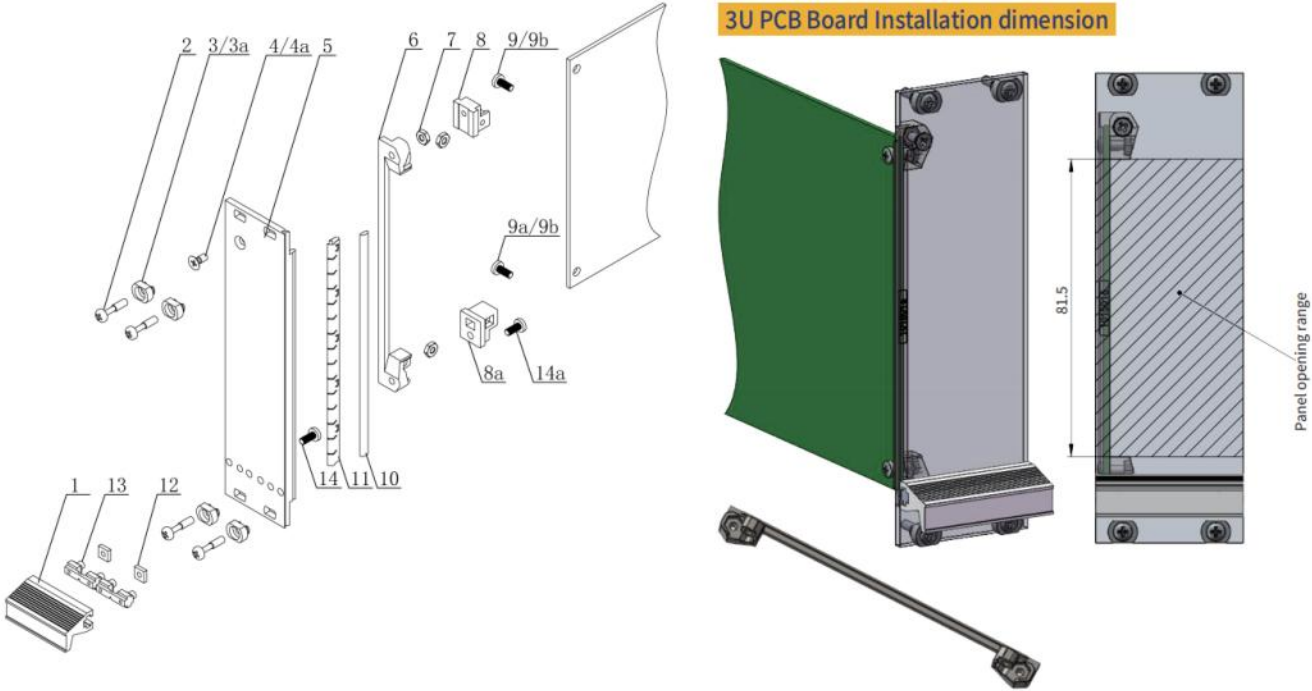
Delivery Comprises(kit)

Item	Name	Qty	Order no	Description
1	VI-Handle	1	/	Install in the bottom panel
2	Captive screws	1	1004023	Cross/captive screws M2.5×12 Stainless steel
3	Metal sleeve	1	1014002	Plastic
3a	Metal sleeve	1	1014003	Brass
4	Panel fixing screws	1	1004011	Pozidrive c/sk screw M2.5×6 Stainless steel
5	U-shaped panels	1	/	Front anodised rear conductive
6	PCB bracket	1	1015016	PCB bracket, PC+20%GF, Grey, Plastic
7	Hex Nut	4	1005001	Hex Nut, M2.5, Stainless steel
8	Printed board bracket	1	1015001	Printed board bracket, Die-cast zinc
8a	Printed board bracket	1	1015005	Printed board bracket, PC+20%GF,
9	PCB Set screw	2	1004004	Pan head Pozidrive c/sk screw M2.5×6 Stainless steel

VI Panel component



3U Panel component



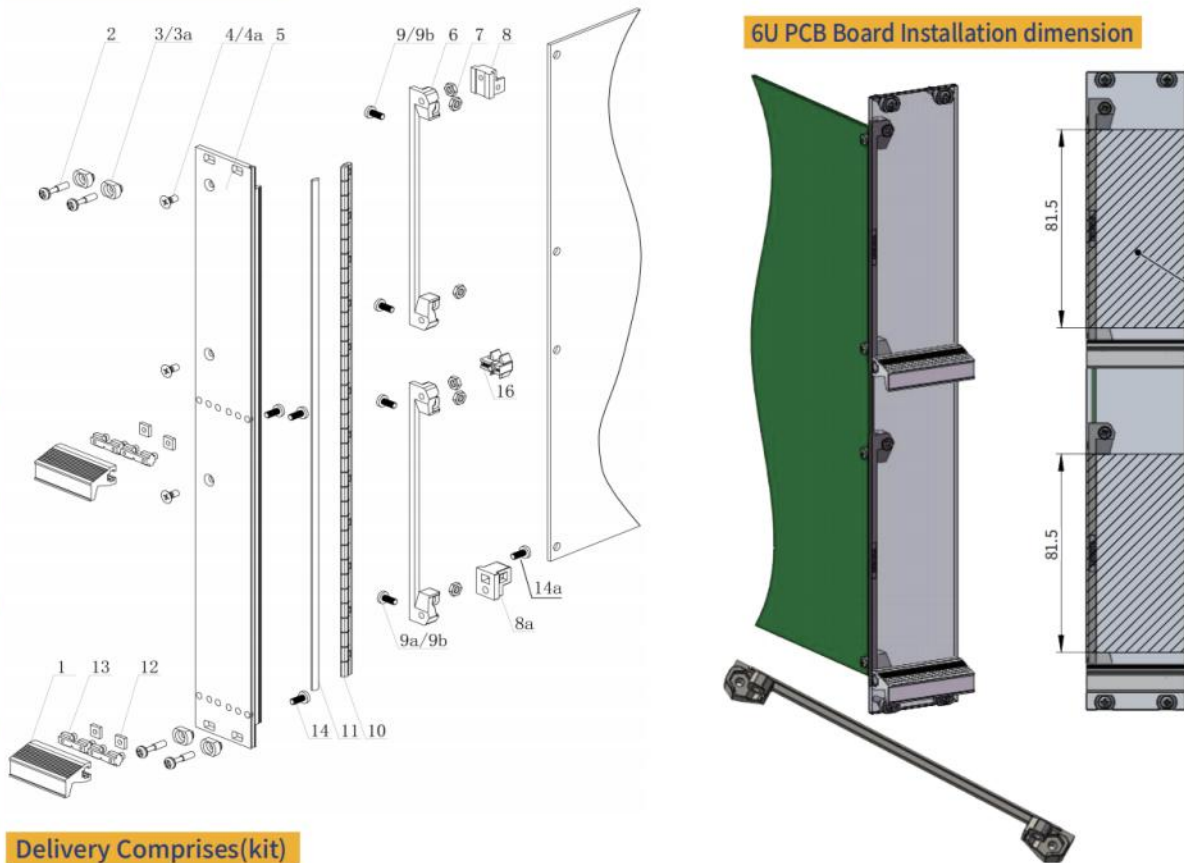
Delivery Comprises(kit)

Item	Name	Qty	Order no	Description
1	VI-Handle	1	/	Install in the bottom panel
2	Captive screws	4	1004023	Cross/captive screws M2.5×12 Stainless steel
3	Metal sleeve	4	1014002	Plastic
3a	Metal sleeve	4	1014003	Brass
4	Panel fixing screws	1	1004011	Pozidrive c/sk screw M2.5×6 Stainless steel
4a	Panel fixing screws	1	1004015	Pozidrive c/sk screw M2.5×8 Stainless steel
5	U-shaped panels	1	/	Front anodised rear conductive
6	PCB bracket	1	1015016	PCB bracket, PC+20%GF,Grey, Plastic
7	Hex Nut	3	1005001	Hex Nut, M2.5, Stainless steel
8	Printed board bracket	1	1015001	Printed board bracket,Die-cast zinc
8a	Printed board bracket	1	1015005	PC+20%GF,Grey, It needs to be used together with one 9a and one 14a
9	PCB Set screw	1	1004004	Pan head Pozidrive c/sk screw M2.5×6 Stainless steel
9a	PCB Set screw	1	1004260	Pan head self-tapping screw M2.5×6 Stainless steel
9b	PCB Set screw	2	1004005	Pan head Pozidrive c/sk screw M2.5×8 Stainless steel
10	EMC textile gasket	1	1008038	EMC textile gasket
11	EMC gasket	1	1008015	EMC gasket
12	Square nut	2	1005002	Square nut, M2.5, Stainless steel
13	Plastic parts	2	1000066	Plastic parts, PC+20%GF,Grey
14	Set screw	1	1004004	Pan head Pozidrive c/sk screw M2.5×6 Stainless steel
14a	Set screw	1	1004005	Pan head Pozidrive c/sk screw M2.5×8 Stainless steel

EK&EG PRO Series Subracks
 EK+MEG+PRO Series Subracks
 BEK&BEG PRO Series Subracks
 Handle specification and accessories
 Guide rail specification and accessories
 19"CUR Series Subracks
 SNCF Series Subracks
 Shielded plug-in units Series Subracks
 VERO Series Subracks
 Protective Series Subracks
 CASE Series Subracks
 Type A Series Subracks
 Integrated slot panel series subracks
 IN-S Series Subracks
 Subracks Accessories
 Panel component
 Order no. and page Table

VI Panel component

6U Panel component



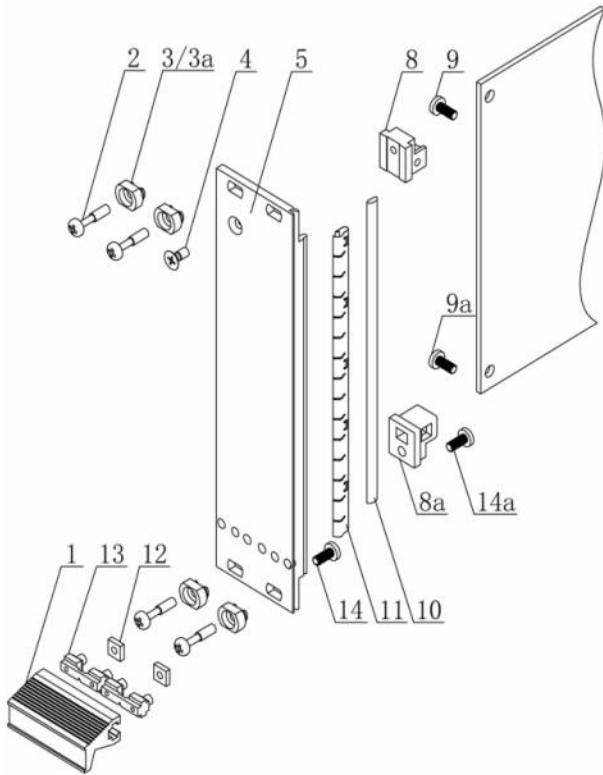
Delivery Comprises(kit)

Item	Name	Qty	Order no	Description
1	VI-Handle	2	/	Install in the bottom panel
2	Captive screws	4	1004023	Cross/captive screws M2.5×12 Stainless steel
3	Metal sleeve	4	1014002	Plastic
3a	Metal sleeve	4	1014003	Brass
4	Panel fixing screws	3	1004011	Pozidrive c/sk screw M2.5×6 Stainless steel
4a	Panel fixing screws	3	1004015	Pozidrive c/sk screw M2.5×8 Stainless steel
5	U-shaped panels	1	/	Front anodised rear conductive
6	PCB bracket	2	1015016	PCB bracket, PC+20%GF,Grey, Plastic
7	Hex Nut	6	1005001	Hex Nut, M2.5, Stainless steel
8	Printed board bracket	1	1015001	Die-cast zinc
8a	Printed board bracket	1	1015005	PC+20%GF,Grey, It needs to be used together with one 9a and one 14a
9	PCB Set screw	3	1004004	Pan head Pozidrive c/sk screw M2.5×6 Stainless steel
9a	PCB Set screw	1	1004260	Pan head self-tapping screw M2.5×6 Stainless steel
9b	PCB Set screw	1	1004005	Pan head Pozidrive c/sk screw M2.5×8 Stainless steel
10	EMC textile gasket	1	1008038	EMC textile gasket
11	EMC gasket	1	1008015	EMC gasket
12	Square nut	4	1005002	Square nut, M2.5, Stainless steel
13	Plastic parts	4	1000066	Plastic parts, PC+20%GF,Grey
14	Set screw	3	1004004	Pan head Pozidrive c/sk screw M2.5×6 Stainless steel
14a	Set screw	1	1004005	Pan head Pozidrive c/sk screw M2.5×8 Stainless steel
16	PCB Centre support	1	1015015	Centre support for printed boards, PC+20%GF

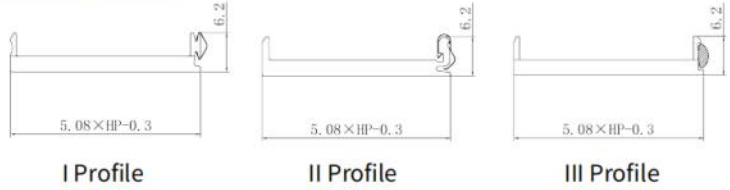
VI Panel component



3U Panel component



Panel profile



Delivery Comprises(kit)

Item	Name	Qty	Order no	Description
1	V-Handle	1	/	Install in the bottom panel
2	Captive screws	4	1004023	Cross/captive screws M2.5×12 Stainless steel
3	Metal sleeve	4	1014002	Plastic
3a	Metal sleeve	4	1014003	Brass
4	Panel fixing screws	1	1004011	Pozidrive c/sk screw M2.5×6 Stainless steel
5	U-shaped panels	1	/	Front anodised rear conductive
8	Printed board bracket	1	1015001	Die-cast zinc
8a	Printed board bracket	1	1015005	PC+20%GF,Grey, It needs to be used together with one 9a and one 14a
9	PCB Set screw	2	1004004	Pan head Pozidrive c/sk screw M2.5×6 Stainless steel
9a	PCB Set screw	2	1004260	Pan head self-tapping screw M2.5×8 Stainless steel
10	EMC textile gasket	1	1008038	EMC textile gasket
11	EMC gasket	1	1008015	EMC gasket
12	Square nut	2	1005002	Square nut, M2.5, Stainless steel
13	Plastic parts	2	1000066	Plastic parts, PC+20%GF,Grey
14	Set screw	2	1004004	Pan head Pozidrive c/sk screw M2.5×6 Stainless steel
14a	Set screw	2	1004005	Pan head Pozidrive c/sk screw M2.5×8 Stainless steel

VI Handle order information

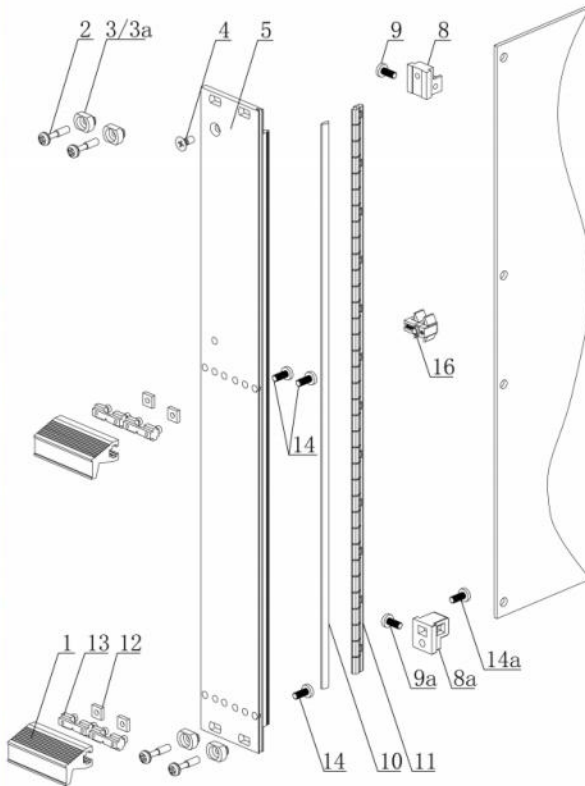
Width	I Panel	II Panel	III Panel	Panel	EMC gasket	Grey handle	Order no
4HP	1				1	1	30402011
4HP		1			1	1	30402021
4HP			1		1	1	30402031
4HP				1	1	1	30402041
5HP	1				1	1	30502011
5HP		1			1	1	30502021
5HP			1		1	1	30502031
5HP				1	1	1	30502041
6HP	1				1	1	30602011
6HP		1			1	1	30602021
6HP			1		1	1	30602031
6HP				1	1	1	30602041
7HP	1				1	1	30702011
7HP		1			1	1	30702021
7HP			1		1	1	30702031
7HP				1	1	1	30702041
8HP	1				1	1	30802011
8HP		1			1	1	30802021
8HP			1		1	1	30802031
8HP				1	1	1	30802041
10HP	1				1	1	31002011
10HP		1			1	1	31002021
10HP			1		1	1	31002031
10HP				1	1	1	31002041
12HP	1				1	1	31202011
12HP		1			1	1	31202021
12HP			1		1	1	31202031
12HP				1	1	1	31202041

EK&EG PRO Series Subracks
 EK+&EG+ PRO Series Subracks
 BEK&BEG PRO Series Subracks
 Handle specification and accessories
 Guide-rail specification and accessories
 19"CUR Series Subracks
 SNCF Series Subracks
 Shielded plug-in units Series Subracks
 VERO Series Subracks
 Protective Series Subracks
 CASE Series Subracks
 Type A Series Subracks
 Integrated side-panel series subracks
 IN-S Series Subracks
 Subracks Accessories
 Panel component
 Order no. and page table

VI Panel component



6U Panel component



Panel profile



I Profile

II Profile

III Profile

Delivery Comprises(kit)

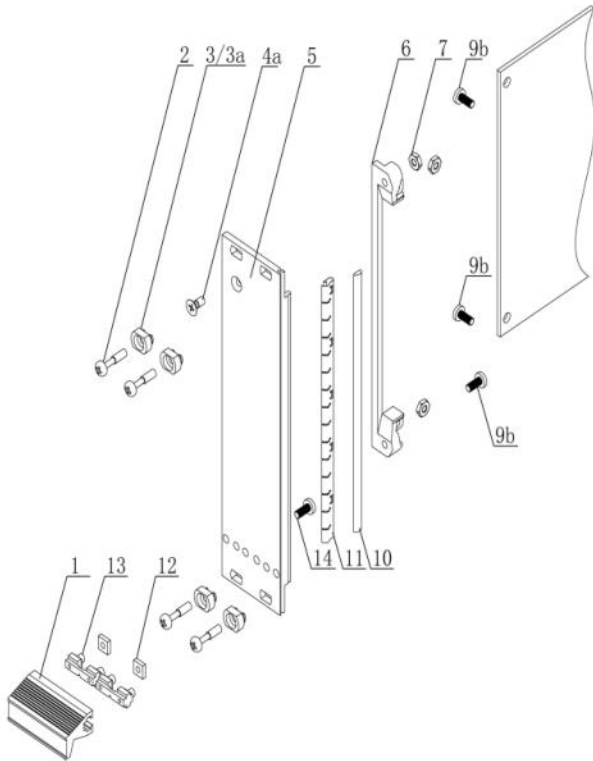
Item	Name	Qty	Order no	Description
1	V-Handle	2	/	Install in the bottom panel
2	Captive screws	4	1004023	Cross/captive screws M2.5×12 Stainless steel
3	Metal sleeve	4	1014002	Plastic
3a	Metal sleeve	4	1014003	Brass
4	Panel fixing screws	1	1004011	Pozidrive c/sk screw M2.5×6 Stainless steel
5	U-shaped panels	1	/	Front anodised rear conductive
8	Printed board bracket	1	1015001	Die-cast zinc
8a	Printed board bracket	1	1015005	PC+20%GF,Grey, It needs to be used together with one 9a and one 14a
9	PCB Set screw	1	1004004	Pan head Pozidrive c/sk screw M2.5×6 Stainless steel
9a	PCB Set screw	1	1004260	Pan head self-tapping screw M2.5×8 Stainless steel
10	EMC textile gasket	1	1008038	EMC textile gasket
11	EMC gasket	1	1008015	EMC gasket
12	Square nut	4	1005002	Square nut, M2.5, Stainless steel
13	Plastic parts	4	1000066	Plastic parts, PC+20%GF,Grey
14	Set screw	3	1004004	Pan head Pozidrive c/sk screw M2.5×6 Stainless steel
14a	Set screw	1	1004005	Pan head Pozidrive c/sk screw M2.5×8 Stainless steel
16	PCB Centre support	1	1015015	Centre support for printed boards, PC+20%GF

VI Handle order information

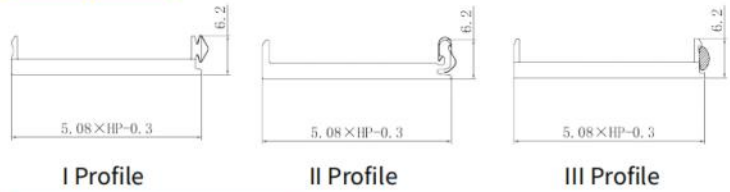
Width	I Panel	II Panel	III Panel	Panel	EMC gasket	Grey handle	Order no
4HP	1				1	1	60402011
4HP		1			1	1	60402021
4HP			1		1	1	60402031
4HP				1	1	1	60402041
5HP	1				1	1	60502011
5HP		1			1	1	60502021
5HP			1		1	1	60502031
5HP				1	1	1	60502041
6HP	1				1	1	60602011
6HP		1			1	1	60602021
6HP			1		1	1	60602031
6HP				1	1	1	60602041
7HP	1				1	1	60702011
7HP		1			1	1	60702021
7HP			1		1	1	60702031
7HP				1	1	1	60702041
8HP	1				1	1	60802011
8HP		1			1	1	60802021
8HP			1		1	1	60802031
8HP				1	1	1	60802041
10HP	1				1	1	61002011
10HP		1			1	1	61002021
10HP			1		1	1	61002031
10HP				1	1	1	61002041
12HP	1				1	1	61202011
12HP		1			1	1	61202021
12HP			1		1	1	61202031
12HP				1	1	1	61202041

VI Panel component

3U Panel component



Panel profile



Delivery Comprises (kit)

Item	Name	Qty	Order no	Description
1	V-Handle	1	/	Install in the bottom panel
2	Captive screws	4	1004023	Cross/captive screws M2.5×12 Stainless steel
3	Metal sleeve	4	1014002	Plastic
3a	Metal sleeve	4	1014003	Brass
4a	Panel fixing screws	1	1004015	Pozidrive c/sk screw M2.5×8 Stainless steel
5	U-shaped panels	1	/	Front anodised rear conductive
6	PCB bracket	1	1015016	PCB bracket, PC+20%GF, Grey, Plastic
7	Hex Nut	3	1005001	Hex Nut, M2.5, Stainless steel
9b	PCB Set screw	3	1004005	Pan head Pozidrive c/sk screw M2.5×8 Stainless steel
10	EMC textile gasket	1	1008038	EMC textile gasket
11	EMC gasket	1	1008015	EMC gasket
12	Square nut	2	10005002	Square nut, M2.5, Stainless steel
13	Plastic parts	2	1000066	Plastic parts, PC+20%GF, Grey
14	Set screw	1	1004004	Pan head Pozidrive c/sk screw M2.5×6 Stainless steel

VI Handle order information

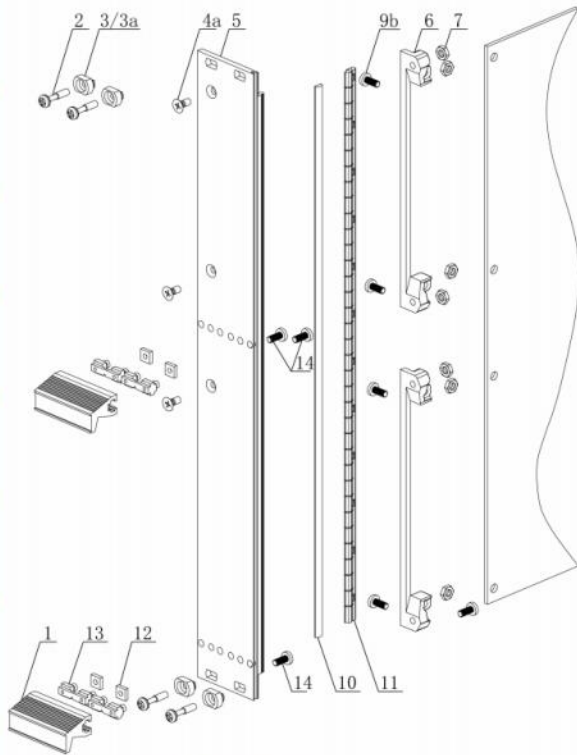
Width	I Panel	II Panel	III Panel	Panel	EMC gasket	Grey handle	Order no
4HP	1				1	1	30402012
4HP		1			1	1	30402022
4HP			1		1	1	30402032
4HP				1	1	1	30402042
5HP	1				1	1	30502012
5HP		1			1	1	30502022
5HP			1		1	1	30502032
5HP				1	1	1	30502042
6HP	1				1	1	30602012
6HP		1			1	1	30602022
6HP			1		1	1	30602032
6HP				1	1	1	30602042
7HP	1				1	1	30702012
7HP		1			1	1	30702022
7HP			1		1	1	30702032
7HP				1	1	1	30702042
8HP	1				1	1	30802012
8HP		1			1	1	30802022
8HP			1		1	1	30802032
8HP				1	1	1	30802042
10HP	1				1	1	31002012
10HP		1			1	1	31002022
10HP			1		1	1	31002032
10HP				1	1	1	31002042
12HP	1				1	1	31202012
12HP		1			1	1	31202022
12HP			1		1	1	31202032
12HP				1	1	1	31202042

EK&EG PRO Series Subracks
 EK+EG+ PRO Series Subracks
 BEK&BEG PRO Series Subracks
 Handle specification and accessories
 Guide-rail specification and accessories
 19" CUR Series Subracks
 SNCF Series Subracks
 Shielded plug-in units Series Subracks
 VERO Series Subracks
 Protective Series Subracks
 CASE Series Subracks
 Type A Series Subracks
 Integrated side-panel series subracks
 IN-S Series Subracks
 Subracks Accessories
 Panel component
 Order no. and page Table

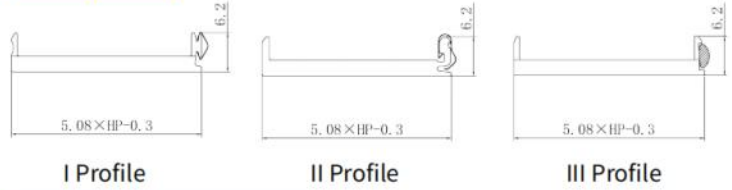
VI Panel component



6U Panel component



Panel profile



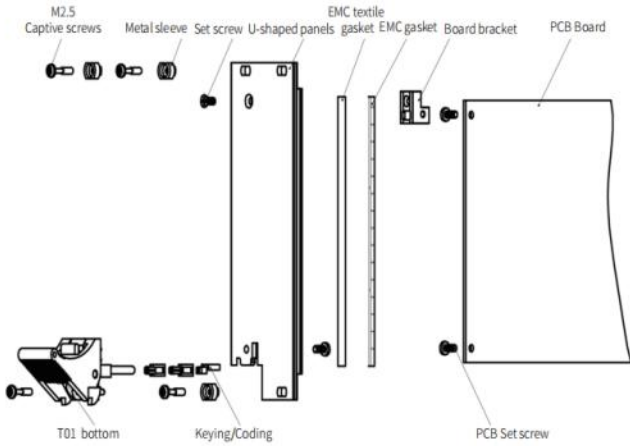
Delivery Comprises(kit)

Item	Name	Qty	Order no	Description
1	V-Handle	2	/	Install in the bottom panel
2	Captive screws	4	1004023	Cross/captive screws M2.5×12 Stainless steel
3	Metal sleeve	4	1014002	Plastic
3a	Metal sleeve	4	1014003	Brass
4a	Panel fixing screws	3	1004015	Pozidrive c/sk screw M2.5×8 Stainless steel
5	U-shaped panels	1	/	Front anodised rear conductive
6	PCB bracket	2	1015016	PCB bracket, PC+20%GF,Grey, Plastic
7	Hex Nut	7	1005001	Hex Nut, M2.5, Stainless steel
9b	PCB Set screw	5	1004005	Pan head Pozidrive c/sk screw M2.5×8 Stainless steel
10	EMC textile gasket	1	1008038	EMC textile gasket
11	EMC gasket	1	1008015	EMC gasket
12	Square nut	4	1005002	Square nut, M2.5, Stainless steel
13	Plastic parts	4	1000066	Plastic parts, PC+20%GF,Grey
14	Set screw	4	1004004	Pan head Pozidrive c/sk screw M2.5×6 Stainless steel

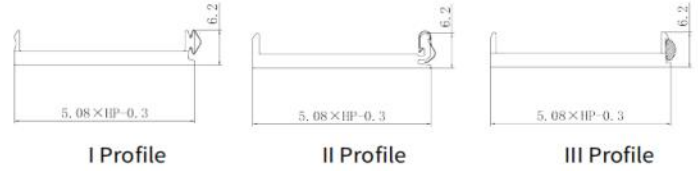
VI Handle order information

Width	I Panel	II Panel	III Panel	Panel	EMC gasket	Grey handle	Order no
4HP	1				1	1	60402012
4HP		1			1	1	60402022
4HP			1		1	1	60402032
4HP				1	1	1	60402042
5HP	1				1	1	60502012
5HP		1			1	1	60502022
5HP			1		1	1	60502032
5HP				1	1	1	60502042
6HP	1				1	1	60602012
6HP		1			1	1	60602022
6HP			1		1	1	60602032
6HP				1	1	1	60602042
7HP	1				1	1	60702012
7HP		1			1	1	60702022
7HP			1		1	1	60702032
7HP				1	1	1	60702042
8HP	1				1	1	60802012
8HP		1			1	1	60802022
8HP			1		1	1	60802032
8HP				1	1	1	60802042
10HP	1				1	1	61002012
10HP		1			1	1	61002022
10HP			1		1	1	61002032
10HP				1	1	1	61002042
12HP	1				1	1	61202012
12HP		1			1	1	61202022
12HP			1		1	1	61202032
12HP				1	1	1	61202042

3U Panel component

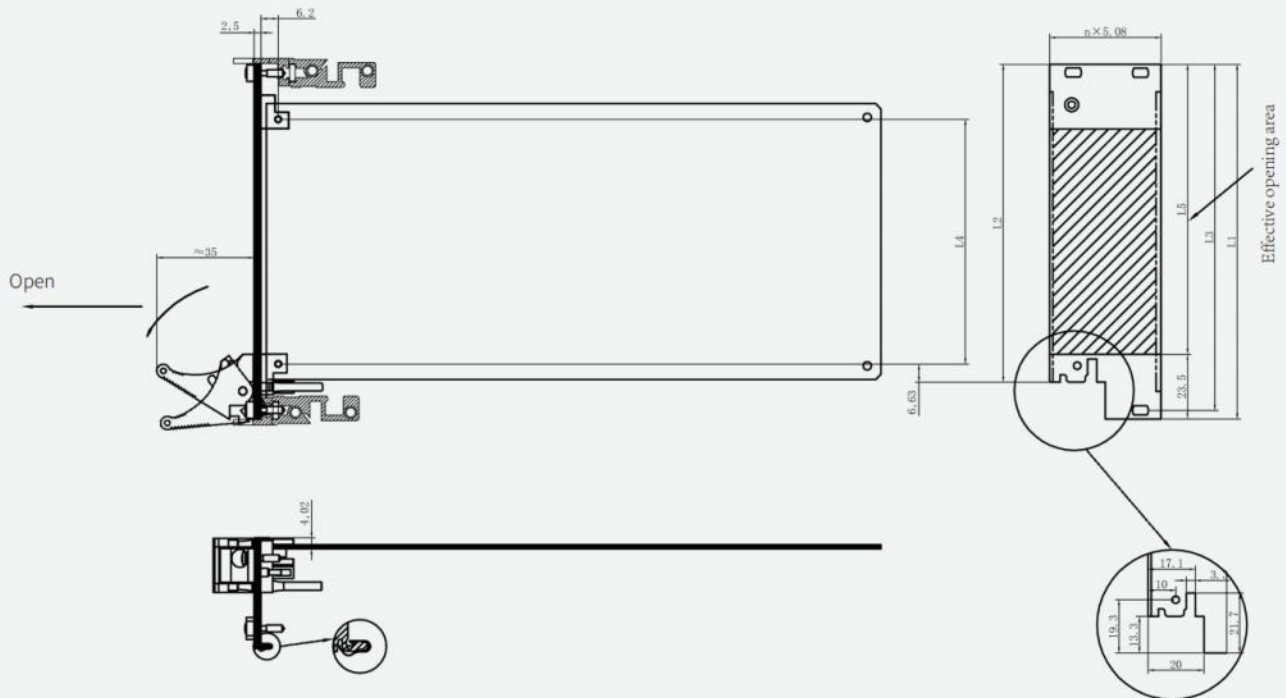


Panel profile



Delivery Comprises(kit)

Name	Qty	Order no	Description
T01 Bottom	1	1002013	Install in the bottom panel
Metal sleeve	3	1014002	Plastic
Metal sleeve	3	1014003	Brass
U-shaped panels	1	/	Front anodised rear conductive
EMC textile gasket	1	1008038	EMC textile gasket
Captive screws	4	1004023	Cross/captive screws M2.5×12 Stainless steel
Keying/Coding	3	1009010	Plastic
EMC gasket	1	1008015	EMC gasket
PCB Set screw	3	1004004	Pan head Pozidrive c/sk screw M2.5×6 Stainless steel
Set screw	1	1004011	Pan head Pozidrive c/sk screw M2.5×6 Stainless steel
Printed board bracket	1	1015004	Printed board bracket, Die-cast zinc



Effective opening area

Height	L1mm	L2mm	L3mm	L4mm	L5mm
3U	128.7	115.4	122.5	88.9	81.7
4U	173.15	159.85	166.95	133.35	126.15
6U	262.05	248.75	255.85	222.25	215.05
9U	395.4	382.1	389.2	355.6	348.4

EK&EG PRO Series Subracks
EK&EG+PRO Series Subracks
BEM&BEG PRO Series Subracks
Handle specification and accessories
Guide rail specification and accessories
19" CUR Series Subracks
SNCF Series Subracks
Shielded plug-in units Series Subracks
VERO Series Subracks
Protective Series Subracks
CASE Series Subracks
Type A Series Subracks
Integrated side panel series subracks
RN-S Series Subracks
Subracks Accessories
Panel component
Order no. and page table

T01 Panel component



3U Panel component

T01 Handle order information

	Width	I Panel	II Panel	III Panel	EMC gasket	EMC textile gasket	Black handle	Grey handle	Order no
EK&EG PRO Series Subracks	4HP	1			1		1		130400100
EK&EG+ PRO Series Subracks	4HP		1		1		1		230400100
BEK&BEG PRO Series Subracks	4HP			1	1		1		330400100
Handle specification and accessories	4HP			1		1	1		330400101
Guide rail specification and accessories	4HP	1			1			1	130400110
	4HP		1		1			1	230400110
	4HP			1	1			1	330400110
	4HP			1		1		1	330400111
	5HP	1			1		1		130500100
	5HP		1		1		1		230500100
	5HP			1	1		1		330500100
	5HP			1		1	1		330500101
19" CUR Series Subracks	5HP	1			1			1	130500110
	5HP		1		1			1	220500110
	5HP			1	1			1	330500110
SNCF Series Subracks	5HP			1		1		1	330500111
	6HP	1			1		1		130600100
	6HP		1		1		1		230600100
Shielded plug-in units Series Subracks	6HP			1	1		1		330600100
	6HP			1		1	1		330600101
	6HP	1			1			1	130600110
	6HP		1		1			1	230600110
VERO Series Subracks	6HP			1	1			1	330600110
	6HP			1		1		1	330600111
	7HP	1			1		1		130700100
	7HP		1		1		1		230700100
Protective Series Subracks	7HP			1	1		1		330700100
	7HP			1		1	1		330700101
	7HP	1			1			1	130700110
	7HP		1		1			1	230700110
CASE Series Subracks	7HP			1	1			1	330700110
	7HP			1		1		1	330700111
	8HP	1			1		1		130800100
Type A Series Subracks	8HP		1		1		1		230800100
	8HP			1	1		1		330800100
	8HP			1		1	1		330800101
Integrated side panel series subracks	8HP	1			1			1	130800110
	8HP		1		1			1	230800110
	8HP			1	1			1	330800110
	8HP			1		1		1	330800111
	10HP	1			1		1		131000100
IN-S Series Subracks	10HP		1		1		1		231000100
	10HP			1	1		1		331000100
	10HP			1		1	1		331000101
Subracks Accessories	10HP	1			1			1	131000110
	10HP		1		1			1	231000110
	10HP			1	1			1	331000110
	10HP			1		1		1	331000111
Panel component	12HP	1			1		1		131200100
	12HP		1		1		1		231200100
	12HP			1	1		1		331200100
	12HP			1		1	1		331200101
Order no. and page Table	12HP	1			1			1	131200110
	12HP		1		1			1	231200110
	12HP			1	1			1	331200110
	12HP			1		1		1	331200111

T01 Panel component



3U Panel component

T01 Offset Handle order information

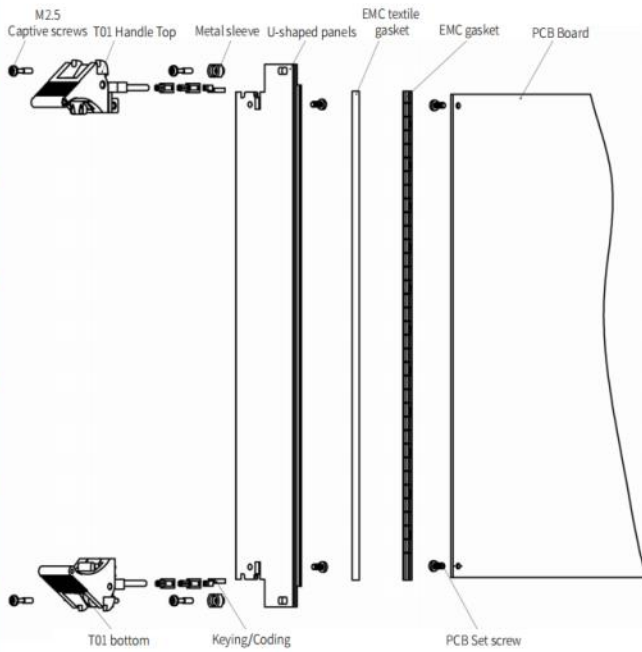
Width	I Panel	II Panel	III Panel	EMC gasket	EMC textile gasket	Black handle	Grey handle	Order no
4HP	1			1		1		130410100
4HP		1		1		1		230410100
4HP			1	1		1		330410100
4HP			1		1	1		330410101
4HP	1			1			1	130410110
4HP		1		1			1	230410110
4HP			1	1			1	330410110
4HP			1		1		1	330410111
5HP	1			1		1		130510100
5HP		1		1		1		230510100
5HP			1	1		1		330510100
5HP			1		1	1		330510101
5HP	1			1			1	130510110
5HP		1		1			1	230510110
5HP			1	1			1	330510110
5HP			1		1		1	330510111
6HP	1			1		1		130610100
6HP		1		1		1		230610100
6HP			1	1		1		330610100
6HP			1		1	1		330610101
6HP	1			1			1	130610110
6HP		1		1			1	230610110
6HP			1	1			1	330610110
6HP			1		1		1	330610111
7HP	1			1		1		130710100
7HP		1		1		1		230710100
7HP			1	1		1		330710100
7HP			1		1	1		330710101
7HP	1			1			1	130710110
7HP		1		1			1	230710110
7HP			1	1			1	330710110
7HP			1		1		1	330710111
8HP	1			1		1		130810100
8HP		1		1		1		230810100
8HP			1	1		1		330810100
8HP			1		1	1		330810101
8HP	1			1			1	130810110
8HP		1		1			1	230810110
8HP			1	1			1	330810110
8HP			1		1		1	330810111
10HP	1			1		1		131010100
10HP		1		1		1		231010100
10HP			1	1		1		331010100
10HP			1		1	1		331010101
10HP	1			1			1	131010110
10HP		1		1			1	231010110
10HP			1	1			1	331010110
10HP			1		1		1	331010111
12HP	1			1		1		131210100
12HP		1		1		1		231210100
12HP			1	1		1		331210100
12HP			1		1	1		331210101
12HP	1			1			1	131210110
12HP		1		1			1	231210110
12HP			1	1			1	331210110
12HP			1		1		1	331210111

EK&BEG PRO Series Subtracks
 EK&BEG+PRO Series Subtracks
 BEK&BEG PRO Series Subtracks
 Handle specification and accessories
 Guide rail specification and accessories
 19" CUR Series Subtracks
 SNCF Series Subtracks
 Shielded plug-in units Series Subtracks
 VERO Series Subtracks
 Protective Series Subtracks
 CASE Series Subtracks
 Type A Series Subtracks
 Integrated slide panels series subtracks
 IN-S Series Subtracks
 Subtracks Accessories
 Panel component
 Order no. and page Table

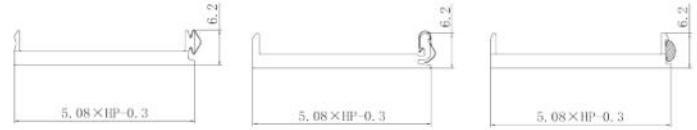
T01 Panel component



6U Panel component



Panel profile



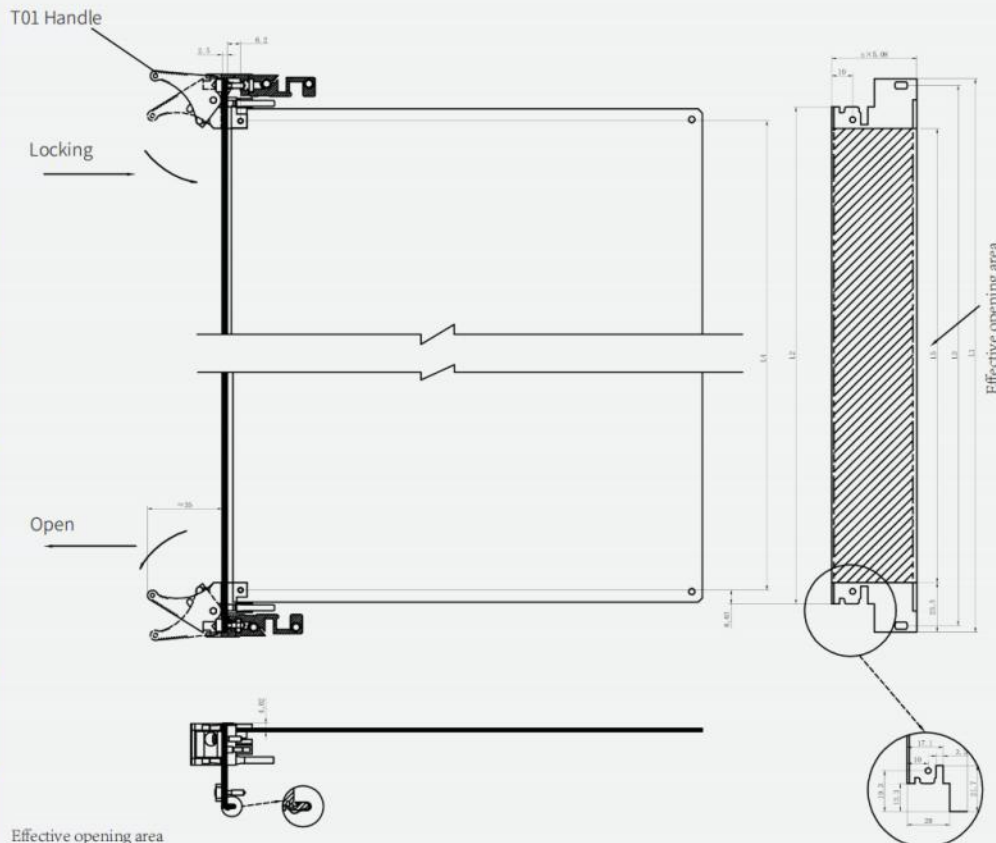
I Profile

II Profile

III Profile

Delivery Comprises(kit)

Name	Qty	Order no	Description
T01 Top	1	1002012	Install in the top panel
T01 Bottom	1	1002013	Install in the bottom panel
Metal sleeve	2	1014002	Plastic
Metal sleeve	2	1014003	Brass
U-shaped panels	1	/	Front anodised rear conductive
EMC textile gasket	1	1008038	EMC textile gasket
Captive screws	4	1004023	Cross/captive screws M2.5×12 Stainless steel
Keying/Coding	6	1009010	Plastic
EMC gasket	1	1008015	EMC gasket
PCB Set screw	4	1004004	Pan head Pozidrive c/sk screw M2.5×6 Stainless steel



Effective opening area

Height	1.1mm	1.2mm	1.3mm	1.4mm	1.5mm
3U	128.7	115.4	122.5	88.9	81.7
4U	173.15	159.85	166.95	133.35	126.15
6U	262.05	248.75	255.85	222.25	215.05
9U	395.4	382.1	389.2	355.6	348.4

6U Panel component

T01 Handle order information

Width	I Panel	II Panel	III Panel	EMC gasket	EMC textile gasket	Black handle	Grey handle	Order no
4HP	1			1		1		160400100
4HP		1		1		1		260400100
4HP			1	1		1		360400100
4HP			1		1	1		360400101
4HP	1			1			1	160400110
4HP		1		1			1	260400110
4HP			1	1			1	360400110
4HP			1		1		1	360400111
5HP	1			1		1		160500100
5HP		1		1		1		260500100
5HP			1	1		1		360500100
5HP			1		1	1		360500101
5HP	1			1			1	160500110
5HP		1		1			1	260500110
5HP			1	1			1	360500110
5HP			1		1		1	360500111
6HP	1			1		1		160600100
6HP		1		1		1		260600100
6HP			1	1		1		360600100
6HP			1		1	1		360600101
6HP	1			1			1	160600110
6HP		1		1			1	260600110
6HP			1	1			1	360600110
6HP			1		1		1	360600111
7HP	1			1		1		160700100
7HP		1		1		1		260700100
7HP			1	1		1		360700100
7HP			1		1	1		360700101
7HP	1			1			1	160700110
7HP		1		1			1	260700110
7HP			1	1			1	360700110
7HP			1		1		1	360700111
8HP	1			1		1		160800100
8HP		1		1		1		260800100
8HP			1	1		1		360800100
8HP			1		1	1		360800101
8HP	1			1			1	160800110
8HP		1		1			1	260800110
8HP			1	1			1	360800110
8HP			1		1		1	360800111
10HP	1			1		1		161000100
10HP		1		1		1		261000100
10HP			1	1		1		361000100
10HP			1		1	1		361000101
10HP	1			1			1	161000110
10HP		1		1			1	261000110
10HP			1	1			1	361000110
10HP			1		1		1	361000111
12HP	1			1		1		161200100
12HP		1		1		1		261200100
12HP			1	1		1		361200100
12HP			1		1	1		361200101
12HP	1			1			1	161200110
12HP		1		1			1	261200110
12HP			1	1			1	361200110
12HP			1		1		1	361200111

EK&EG PRO Series Subracks
EK&EG+PRO Series Subracks
BEK&BEG PRO Series Subracks
Handle specification and accessories
Guide-rail specification and accessories
19"CUR Series Subracks
SNCF Series Subracks
Shielded plug-in units Series Subracks
VERO Series Subracks
Protective Series Subracks
CASE Series Subracks
Type A Series Subracks
Integrated side-panel series subracks
IN-S Series Subracks
Subracks Accessories
Panel component
Order no. and page table

T01 Panel component

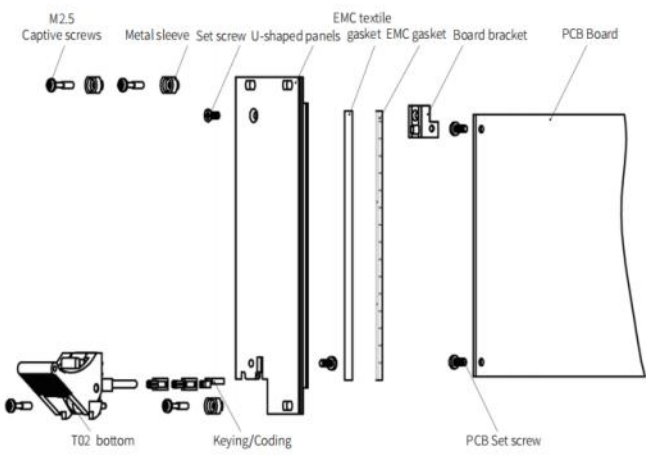


6U Panel component

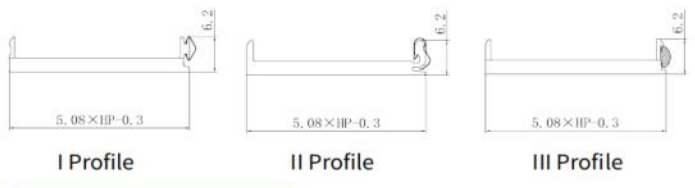
T01 Offset Handle order information

Width	I Panel	II Panel	III Panel	EMC gasket	EMC textile gasket	Black handle	Grey handle	Order no
4HP	1			1		1		160410100
4HP		1		1		1		260410100
4HP			1	1		1		360410100
4HP			1		1	1		360410101
4HP	1			1			1	160410110
4HP		1		1			1	260410110
4HP			1	1			1	360410110
4HP			1		1		1	360410111
5HP	1			1		1		160510100
5HP		1		1		1		260510100
5HP			1	1		1		360510100
5HP			1		1	1		360510101
5HP	1			1			1	160510110
5HP		1		1			1	260510110
5HP			1	1			1	360510110
5HP			1		1		1	360510111
6HP	1			1		1		160610100
6HP		1		1		1		260610100
6HP			1	1		1		360610100
6HP			1		1	1		360610101
6HP	1			1			1	160610110
6HP		1		1			1	260610110
6HP			1	1			1	360610110
6HP			1		1		1	360610111
7HP	1			1		1		160710100
7HP		1		1		1		260710100
7HP			1	1		1		360710100
7HP			1		1	1		360710101
7HP	1			1			1	160710110
7HP		1		1			1	260710110
7HP			1	1			1	360710110
7HP			1		1		1	360710111
8HP	1			1		1		160810100
8HP		1		1		1		260810100
8HP			1	1		1		360810100
8HP			1		1	1		360810101
8HP	1			1			1	160810110
8HP		1		1			1	260810110
8HP			1	1			1	360810110
8HP			1		1		1	360810111
10HP	1			1		1		161010100
10HP		1		1		1		261010100
10HP			1	1		1		361010100
10HP			1		1	1		361010101
10HP	1			1			1	161010110
10HP		1		1			1	261010110
10HP			1	1			1	361010110
10HP			1		1		1	361010111
12HP	1			1		1		161210100
12HP		1		1		1		261210100
12HP			1	1		1		361210100
12HP			1		1	1		361210101
12HP	1			1			1	161210110
12HP		1		1			1	261210110
12HP			1	1			1	361210110
12HP			1		1		1	361210111

3U Panel component

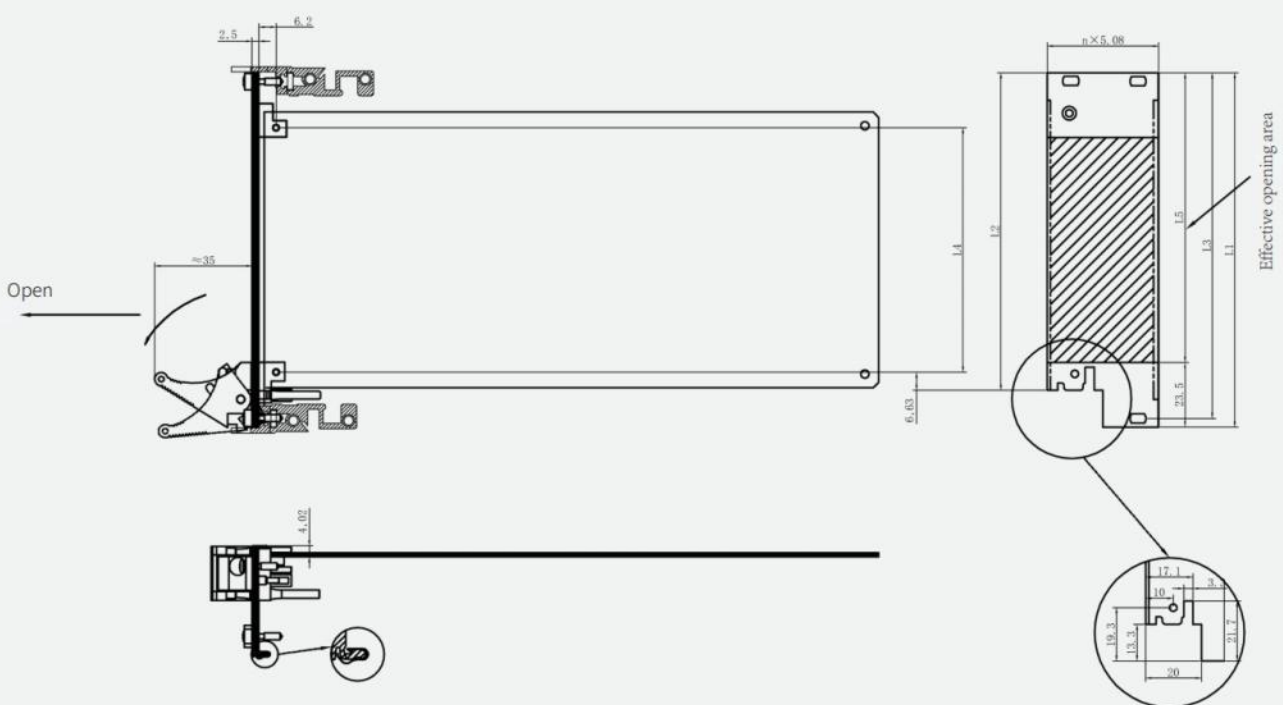


Panel profile



Delivery Comprises(kit)

Name	Qty	Order no	Description
T02 Bottom	1	1002017	Install in the bottom panel
Metal sleeve	3	1014002	Plastic
Metal sleeve	3	1014003	Brass
U-shaped panels	1	/	Front anodised rear conductive
EMC textile gasket	1	1008038	EMC textile gasket
Captive screws	4	1004023	Cross/captive screws M2.5 x 12 Stainless steel
Keying/Coding	3	1009010	Plastic
EMC gasket	1	1008015	EMC gasket
PCB Set screw	3	1004004	Pan head Pozidrive c/sk screw M2.5 x 6 Stainless steel
Set screw	1	1004011	Pan head Pozidrive c/sk screw M2.5 x 6 Stainless steel
Printed board bracket	1	1015004	Printed board bracket, Die-cast zinc



Effective opening area

Height	L1mm	L2mm	L3mm	L4mm	L5mm
3U	128.7	115.4	122.5	88.9	81.7
4U	173.15	159.85	166.95	133.35	126.15
6U	262.05	248.75	255.85	222.25	215.05
9U	395.4	382.1	389.2	355.6	348.4

EK&EG PRO Series Subracks
EK&EG+PRO Series Subracks
BEM&BEG PRO Series Subracks
Handle specification and accessories
Guide rail specification and accessories
19" CUR Series Subracks
SNCF Series Subracks
Shielded plug-in units Series Subracks
VERO Series Subracks
Protective Series Subracks
CASE Series Subracks
Type A Series Subracks
Integrated side panel series subracks
RN-S Series Subracks
Subracks Accessories
Panel component
Order no. and page Table

T02 Panel component



3U Panel component

T02 Handle order information

Width	I Panel	II Panel	III Panel	EMC gasket	EMC textile gasket	Black handle	Grey handle	Order no
4HP	1			1		1		130400200
4HP		1		1		1		230400200
4HP			1	1		1		330400200
4HP			1		1			330400201
4HP	1			1			1	130400210
4HP		1		1			1	230400210
4HP			1	1			1	330400210
4HP			1		1		1	330400211
5HP	1			1		1		130500200
5HP		1		1		1		230500200
5HP			1	1		1		330500200
5HP			1		1	1		330500201
5HP	1			1			1	130500210
5HP		1		1			1	230500210
5HP			1	1			1	330500210
5HP			1		1		1	330500211
6HP	1			1		1		130600200
6HP		1		1		1		230600200
6HP			1	1		1		330600200
6HP			1		1	1		330600201
6HP	1			1			1	130600210
6HP		1		1			1	230600210
6HP			1	1			1	330600210
6HP			1		1		1	330600211
7HP	1			1		1		130700200
7HP		1		1		1		230700200
7HP			1	1		1		330700200
7HP			1		1	1		330700201
7HP	1			1			1	130700210
7HP		1		1			1	230700210
7HP			1	1			1	330700210
7HP			1		1		1	330700211
8HP	1			1		1		130800200
8HP		1		1		1		230800200
8HP			1	1		1		330800200
8HP			1		1	1		330800201
8HP	1			1			1	130800210
8HP		1		1			1	230800210
8HP			1	1			1	330800210
8HP			1		1		1	330800211
10HP	1			1		1		131000200
10HP		1		1		1		231000200
10HP			1	1		1		331000200
10HP			1		1	1		331000201
10HP	1			1			1	131000210
10HP		1		1			1	231000210
10HP			1	1			1	331000210
10HP			1		1		1	331000211
12HP	1			1		1		131200200
12HP		1		1		1		231200200
12HP			1	1		1		331200200
12HP			1		1	1		331200201
12HP	1			1			1	131200210
12HP		1		1			1	231200210
12HP			1	1			1	331200210
12HP			1		1		1	331200211

T02 Panel component



3U Panel component

T02 Offset Handle order information

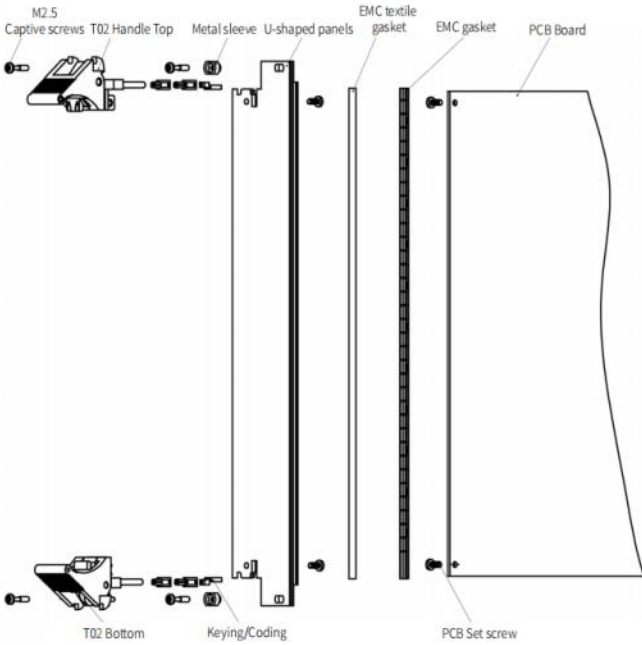
Width	I Panel	II Panel	III Panel	EMC gasket	EMC textile gasket	Black handle	Grey handle	Order no
4HP	1			1		1		130410200
4HP		1		1		1		230410200
4HP			1	1		1		330410200
4HP			1		1	1		330410201
4HP	1			1			1	130410210
4HP		1		1			1	230410210
4HP			1	1			1	330410210
4HP			1		1		1	330410211
5HP	1			1		1		130510200
5HP		1		1		1		230510200
5HP			1	1		1		330510200
5HP			1		1	1		330510201
5HP	1			1			1	130510210
5HP		1		1			1	230510210
5HP			1	1			1	330510210
5HP			1		1		1	330510211
6HP	1			1		1		130610200
6HP		1		1		1		230610200
6HP			1	1		1		330610200
6HP			1		1	1		330610201
6HP	1			1			1	130610210
6HP		1		1			1	230610210
6HP			1	1			1	330610210
6HP			1		1		1	330610211
7HP	1			1		1		130710200
7HP		1		1		1		230710200
7HP			1	1		1		330710200
7HP			1		1	1		330710201
7HP	1			1			1	130710210
7HP		1		1			1	230710210
7HP			1	1			1	330710210
7HP			1		1		1	330710211
8HP	1			1		1		130810200
8HP		1		1		1		230810200
8HP			1	1		1		330810200
8HP			1		1	1		330810201
8HP	1			1			1	130810210
8HP		1		1			1	230810210
8HP			1	1			1	330810210
8HP			1		1		1	330810211
10HP	1			1		1		131010200
10HP		1		1		1		231010200
10HP			1	1		1		331010200
10HP			1		1	1		331010201
10HP	1			1			1	131010210
10HP		1		1			1	231010210
10HP			1	1			1	331010210
10HP			1		1		1	331010211
12HP	1			1		1		131210200
12HP		1		1		1		231210200
12HP			1	1		1		331210200
12HP			1		1	1		331210201
12HP	1			1			1	131210210
12HP		1		1			1	231210210
12HP			1	1			1	331210210
12HP			1		1		1	331210211

EK&EG PRO Series Subracks
 EK+EG+PRO Series Subracks
 BEK&BEG PRO Series Subracks
 Handle specification and accessories
 Guide-rail specification and accessories
 19"CUR Series Subracks
 SNCF Series Subracks
 Shielded plug-in units Series Subracks
 VERO Series Subracks
 Protective Series Subracks
 CASE Series Subracks
 Type A Series Subracks
 Integrated side-panel series subracks
 IN-S Series Subracks
 Subracks Accessories
 Panel component
 Order no. and page table

T02 Panel component



6U Panel component



Panel profile



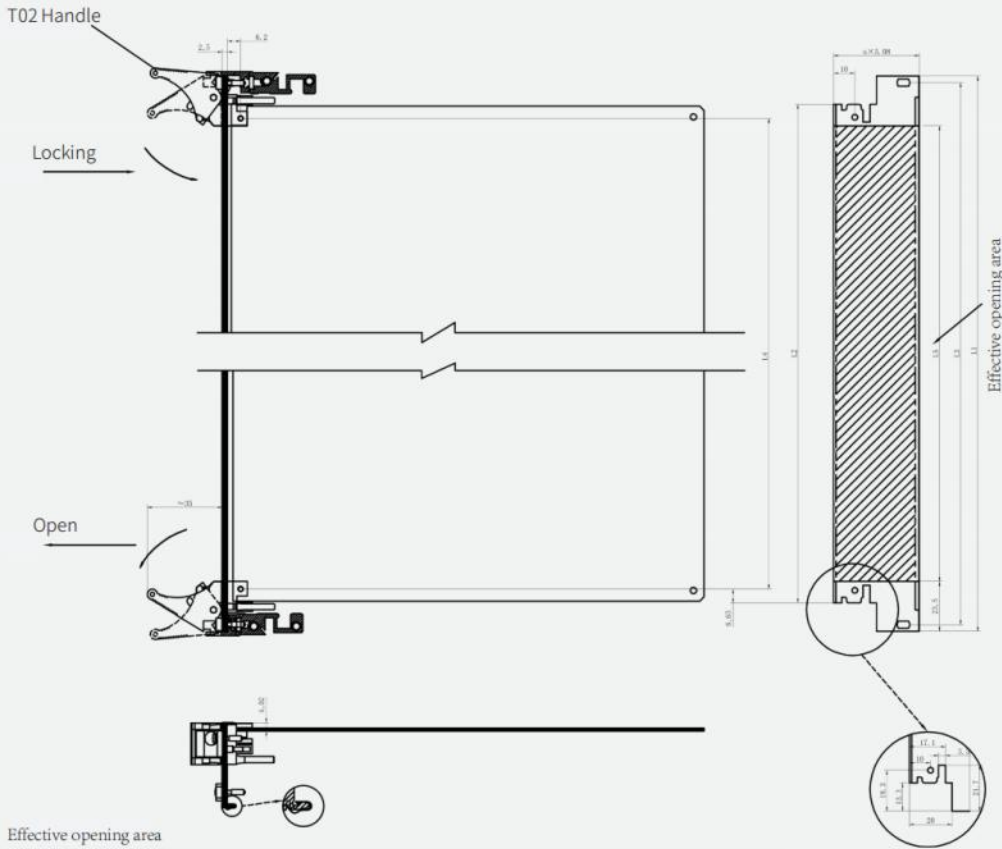
I Profile

II Profile

III Profile

Delivery Comprises(kit)

Name	Qty	Order no	Description
T02 Top	1	1002016	Install in the top panel
T02 Bottom	1	1002017	Install in the bottom panel
Metal sleeve	2	1014002	Plastic
Metal sleeve	2	1014003	Brass
U-shaped panels	1	/	Front anodised rear conductive
EMC textile gasket	1	1008038	EMC textile gasket
Captive screws	4	1004023	Cross/captive screws M2.5x12 Stainless steel
Keying/Coding	6	1009010	Plastic
EMC gasket	1	1008015	EMC gasket
PCB Set screw	4	1004004	Pan head Pozidrive c/sk screw M2.5x6 Stainless steel



Effective opening area

Height	L1mm	L2mm	L3mm	L4mm	L5mm
3U	128.70	102.00	122.50	88.90	84.65
4U	173.15	146.45	166.95	133.35	126.1
6U	262.05	235.35	255.85	222.25	215
9U	395.40	368.70	389.20	355.60	348.35

T02 Panel component



6U Panel component

T02 Handle order information

Width	I Panel	II Panel	III Panel	EMC gasket	EMC textile gasket	Black handle	Grey handle	Order no
4HP	1			1		1		160400200
4HP		1		1		1		260400200
4HP			1	1		1		360400200
4HP			1		1	1		360400201
4HP	1			1			1	160400210
4HP		1		1			1	260400210
4HP			1	1			1	360400210
4HP			1		1		1	360400211
5HP	1			1		1		160500200
5HP		1		1		1		260500200
5HP			1	1		1		360500200
5HP			1		1	1		360500201
5HP	1			1			1	160500210
5HP		1		1			1	260500210
5HP			1	1			1	360500210
5HP			1		1		1	360500211
6HP	1			1		1		160600200
6HP		1		1		1		260600200
6HP			1	1		1		360600200
6HP			1		1	1		360600201
6HP	1			1			1	160600210
6HP		1		1			1	260600210
6HP			1	1			1	360600210
6HP			1		1		1	360600211
7HP	1			1		1		160700200
7HP		1		1		1		260700200
7HP			1	1		1		360700200
7HP			1		1	1		360700201
7HP	1			1			1	160700210
7HP		1		1			1	260700210
7HP			1	1			1	360700210
7HP			1		1		1	360700211
8HP	1			1		1		160800200
8HP		1		1		1		260800200
8HP			1	1		1		360800200
8HP			1		1	1		360800201
8HP	1			1			1	160800210
8HP		1		1			1	260800210
8HP			1	1			1	360800210
8HP			1		1		1	360800211
10HP	1			1		1		161000200
10HP		1		1		1		261000200
10HP			1	1		1		361000200
10HP			1		1	1		361000201
10HP	1			1			1	161000210
10HP		1		1			1	261000210
10HP			1	1			1	361000210
10HP			1		1		1	361000211
12HP	1			1		1		161200200
12HP		1		1		1		261200200
12HP			1	1		1		361200200
12HP			1		1	1		361200201
12HP	1			1			1	161200210
12HP		1		1			1	261200210
12HP			1	1			1	361200210
12HP			1		1		1	361200211

EK&EG PRO Series Subracks
EK+EG+PRO Series Subracks
BEK&BEG PRO Series Subracks
Handle specification and accessories
Guide rail specification and accessories
19"CUR Series Subracks
SNCF Series Subracks
Shielded plug-in units Series Subracks
VERO Series Subracks
Protective Series Subracks
CASE Series Subracks
Type A Series Subracks
Integrated side panel series subracks
IN-S Series Subracks
Subracks Accessories
Panel component
Order no. and page table

T02 Panel component



6U Panel component

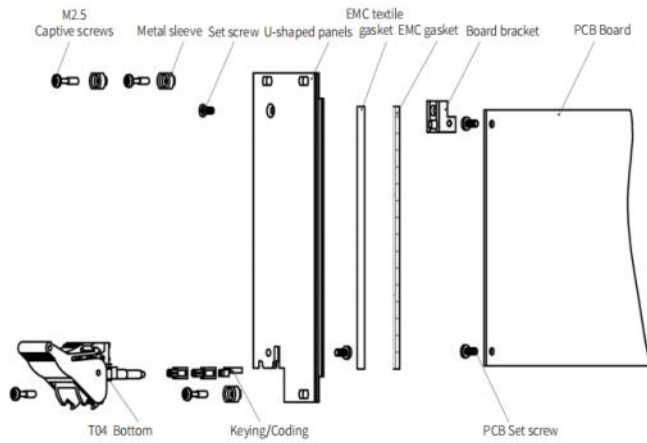
T02 Offset Handle order information

	Width	I Panel	II Panel	III Panel	EMC gasket	EMC textile gasket	Black handle	Grey handle	Order no
EK&EG PRO Series Subracks	4HP	1			1		1		160410200
EK&EG+ PRO Series Subracks	4HP		1		1		1		260410200
BEK&BEG PRO Series Subracks	4HP			1	1		1		360410200
Handle specification and accessories	4HP			1		1	1		360410201
Guide rail specification and accessories	4HP	1			1			1	160410210
	4HP		1		1			1	260410210
	4HP			1	1			1	360410210
	4HP			1		1		1	360410211
	5HP	1			1		1		160510200
	5HP		1		1		1		260510200
	5HP			1	1		1		360510200
19" CUR Series Subracks	5HP			1		1	1		360510201
	5HP	1			1			1	160510210
	5HP		1		1			1	260510210
SNCF Series Subracks	5HP			1	1			1	360510210
	5HP			1		1		1	360510211
Shielded plug-in units Series Subracks	6HP	1			1		1		160610200
	6HP		1		1		1		260610200
	6HP			1	1		1		360610200
	6HP			1		1	1		360610201
	6HP	1			1			1	160610210
	6HP		1		1			1	260610210
VERO Series Subracks	6HP			1	1			1	360610210
	6HP			1		1		1	360610211
	7HP	1			1		1		160710200
	7HP		1		1		1		260710200
Protective Series Subracks	7HP			1	1		1		360710200
	7HP			1		1	1		360710201
	7HP	1			1			1	160710210
	7HP		1		1			1	260710210
CASE Series Subracks	7HP			1	1			1	360710210
	7HP			1		1		1	360710211
Type A Series Subracks	8HP	1			1		1		160810200
	8HP		1		1		1		260810200
	8HP			1	1		1		360810200
	8HP			1		1	1		360810201
Integrated side panel series subracks	8HP	1			1			1	160810210
	8HP		1		1			1	260810210
	8HP			1	1			1	360810210
	8HP			1		1		1	360810211
IN-S Series Subracks	10HP	1			1		1		161010200
	10HP		1		1		1		261010200
	10HP			1	1		1		361010200
	10HP			1		1	1		361010201
Subracks Accessories	10HP	1			1			1	161010210
	10HP		1		1			1	261010210
	10HP			1	1			1	361010210
	10HP			1		1		1	361010211
Panel component	12HP	1			1		1		161210200
	12HP		1		1		1		261210200
	12HP			1	1		1		361210200
	12HP			1		1	1		361210201
Order no. and page Table	12HP	1			1			1	161210210
	12HP		1		1			1	261210210
	12HP			1	1			1	361210210
	12HP			1		1		1	361210211

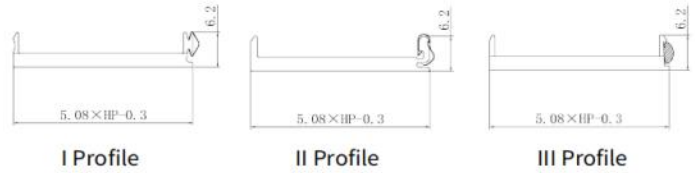
T04 Panel component



3U Panel component

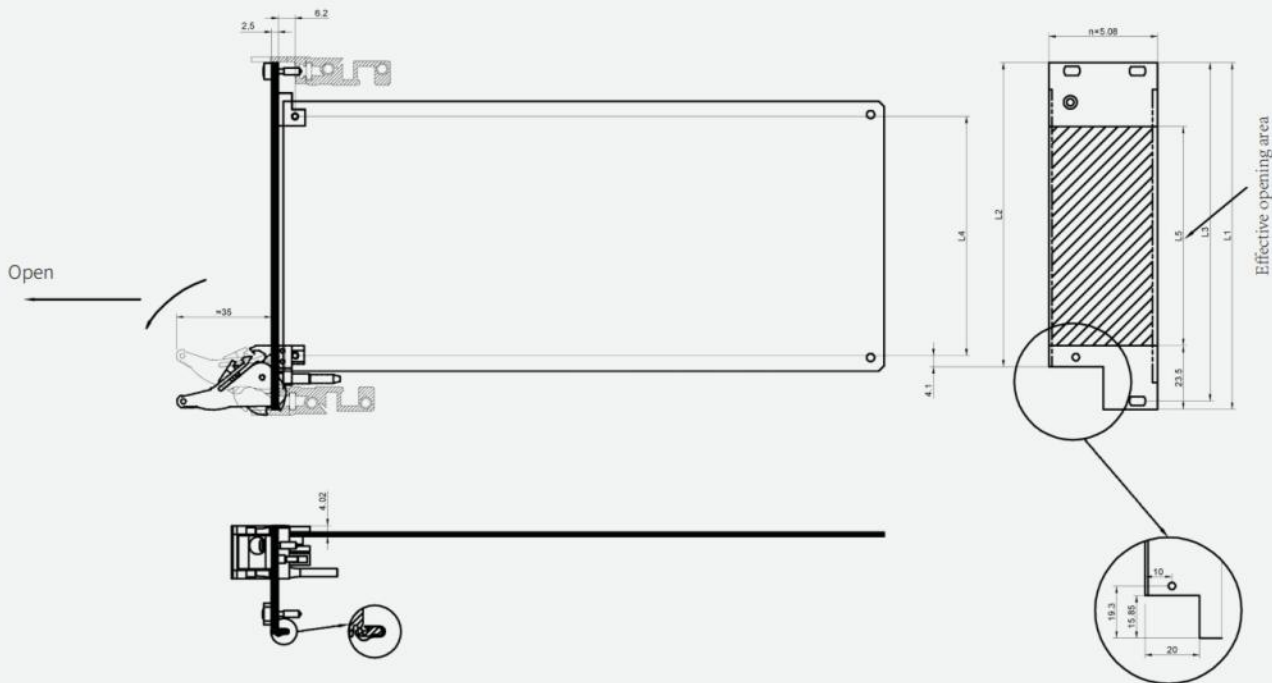


Panel profile



Delivery Comprises(kit)

Name	Qty	Order no	Description
T04 Bottom	1	1002023	Install in the bottom panel
Metal sleeve	3	1014002	Plastic
Metal sleeve	3	1014003	Brass
U-shaped panels	1	/	Front anodised rear conductive
EMC textile gasket	1	1008038	EMC textile gasket
Captive screws	4	1004023	Cross/captive screws M2.5×12 Stainless steel
Keying/Coding	3	1009010	Plastic
EMC gasket	1	1008015	EMC gasket
PCB Set screw	3	1004004	Pan head Pozidrive c/sk screw M2.5×6 Stainless steel
Set screw	1	1004011	Pan head Pozidrive c/sk screw M2.5×6 Stainless steel
Printed board bracket	1	1015004	Printed board bracket, Die-cast zinc



Effective opening area

Height	L1mm	L2mm	L3mm	L4mm	L5mm
3U	128.7	115.4	122.50	88.9	81.7
4U	173.15	159.85	166.95	133.35	126.15
6U	262.05	248.75	255.85	222.25	215.05
9U	395.4	382.1	389.20	355.6	348.4

EK&EG PRO Series Subracks
EK+MEG+PRO Series Subracks
BEK&BEG PRO Series Subracks
Handle specification and accessories
Guide rail specification and accessories
19" CUR Series Subracks
SNCF Series Subracks
Shielded plug-in units Series Subracks
VERO Series Subracks
Protective Series Subracks
CASE Series Subracks
Type A Series Subracks
Integrated slide panels series subracks
IN-S Series Subracks
Subracks Accessories
Panel component
Order no. and page Table

T04 Panel component



3U Panel component

T04 Handle order information

	Width	I Panel	II Panel	III Panel	EMC gasket	EMC textile gasket	Black handle	Grey handle	Order no
EK&EG PRO Series Subracks	4HP	1			1		1		130400400
EK&EG+ PRO Series Subracks	4HP		1		1		1		230400400
BEK&BEG PRO Series Subracks	4HP			1	1		1		330400400
Handle specification and accessories	4HP			1		1			330400401
Guide rail specification and accessories	4HP	1			1			1	130400410
	4HP		1		1			1	230400410
	4HP			1	1			1	330400410
	4HP			1		1		1	330400411
	5HP	1			1		1		130500400
	5HP		1		1		1		230500400
	5HP			1	1		1		330500400
	5HP			1		1			330500401
19" CUR Series Subracks	5HP	1			1			1	130500410
	5HP		1		1			1	230500410
	5HP			1	1			1	330500410
SNCF Series Subracks	5HP			1		1		1	330500411
	6HP	1			1		1		130600400
	6HP		1		1		1		230600400
Shielded plug-in units Series Subracks	6HP			1	1		1		330600400
	6HP			1		1			330600401
	6HP	1			1			1	130600410
	6HP		1		1			1	230600410
VERO Series Subracks	6HP			1	1			1	330600410
	6HP			1		1		1	330600411
	7HP	1			1		1		130700400
	7HP		1		1		1		230700400
Protective Series Subracks	7HP			1	1		1		330700400
	7HP			1		1			330700401
	7HP	1			1			1	130700410
CASE Series Subracks	7HP		1		1			1	230700410
	7HP			1	1			1	330700410
	7HP			1		1		1	330700411
Type A Series Subracks	8HP	1			1		1		130800400
	8HP		1		1		1		230800400
	8HP			1	1		1		330800400
	8HP			1		1			330800401
Integrated side panel series subracks	8HP	1			1			1	130800410
	8HP		1		1			1	230800410
	8HP			1	1			1	330800410
	8HP			1		1		1	330800411
IN-S Series Subracks	10HP	1			1		1		131000400
	10HP		1		1		1		231000400
	10HP			1	1		1		331000400
	10HP			1		1			331000401
Subracks Accessories	10HP	1			1			1	131000410
	10HP		1		1			1	231000410
	10HP			1	1			1	331000410
	10HP			1		1		1	331000411
Panel component	12HP	1			1		1		131200400
	12HP		1		1		1		231200400
	12HP			1	1		1		331200400
	12HP			1		1			331200401
Order no. and page Table	12HP	1			1			1	131200410
	12HP		1		1			1	231200410
	12HP			1	1			1	331200410
	12HP			1		1		1	331200411

T04 Panel component



3U Panel component

T04 Offset Handle order information

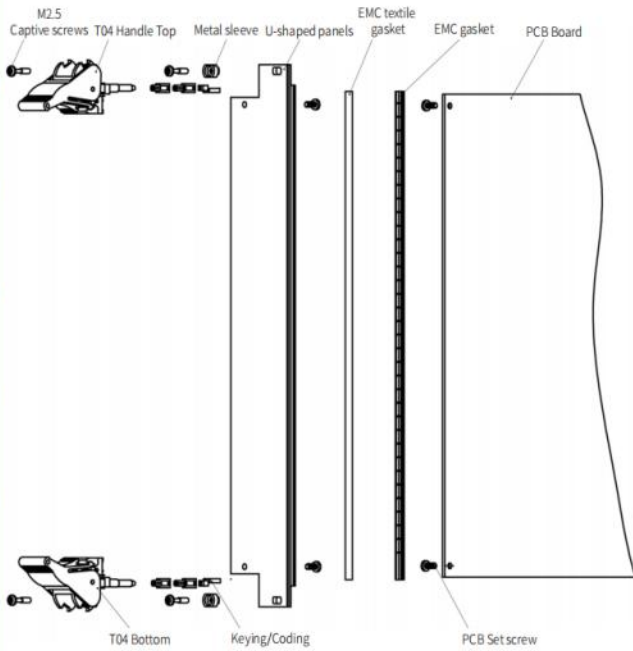
Width	I Panel	II Panel	III Panel	EMC gasket	EMC textile gasket	Black handle	Grey handle	Order no
4HP	1			1		1		130410400
4HP		1		1		1		230410400
4HP			1	1		1		330410400
4HP			1		1	1		330410401
4HP	1			1			1	130410410
4HP		1		1			1	230410410
4HP			1	1			1	330410410
4HP			1		1		1	330410411
5HP	1			1		1		130510400
5HP		1		1		1		230510400
5HP			1	1		1		330510400
5HP			1		1	1		330510401
5HP	1			1			1	130510410
5HP		1		1			1	230510410
5HP			1	1			1	330510410
5HP			1		1		1	330510411
6HP	1			1		1		130610400
6HP		1		1		1		230610400
6HP			1	1		1		330610400
6HP			1		1	1		330610401
6HP	1			1			1	130610410
6HP		1		1			1	230610410
6HP			1	1			1	330610410
6HP			1		1		1	330610411
7HP	1			1		1		130710400
7HP		1		1		1		230710400
7HP			1	1		1		330710400
7HP			1		1	1		330710401
7HP	1			1			1	130710410
7HP		1		1			1	230710410
7HP			1	1			1	330710410
7HP			1		1		1	330710411
8HP	1			1		1		130810400
8HP		1		1		1		230810400
8HP			1	1		1		330810400
8HP			1		1	1		330810401
8HP	1			1			1	130810410
8HP		1		1			1	230810410
8HP			1	1			1	330810410
8HP			1		1		1	330810411
10HP	1			1		1		131010400
10HP		1		1		1		231010400
10HP			1	1		1		331010400
10HP			1		1	1		331010401
10HP	1			1			1	131010410
10HP		1		1			1	231010410
10HP			1	1			1	331010410
10HP			1		1		1	331010411
12HP	1			1		1		131210400
12HP		1		1		1		231210400
12HP			1	1		1		331210400
12HP			1		1	1		331210401
12HP	1			1			1	131210410
12HP		1		1			1	231210410
12HP			1	1			1	331210410
12HP			1		1		1	331210411

EK&EG PRO Series Subracks
EK+EG+PRO Series Subracks
BEK&BEG PRO Series Subracks
Handle specification and accessories
Guide-rail specification and accessories
19"CUR Series Subracks
SNCF Series Subracks
Shielded plug-in units Series Subracks
VERO Series Subracks
Protective Series Subracks
CASE Series Subracks
Type A Series Subracks
Integrated slot panels series subracks
IN-S Series Subracks
Subracks Accessories
Panel component
Order no. and page table

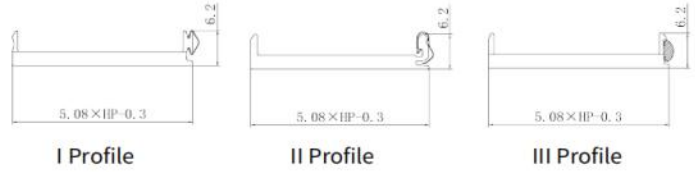
T04 Panel component



6U Panel component

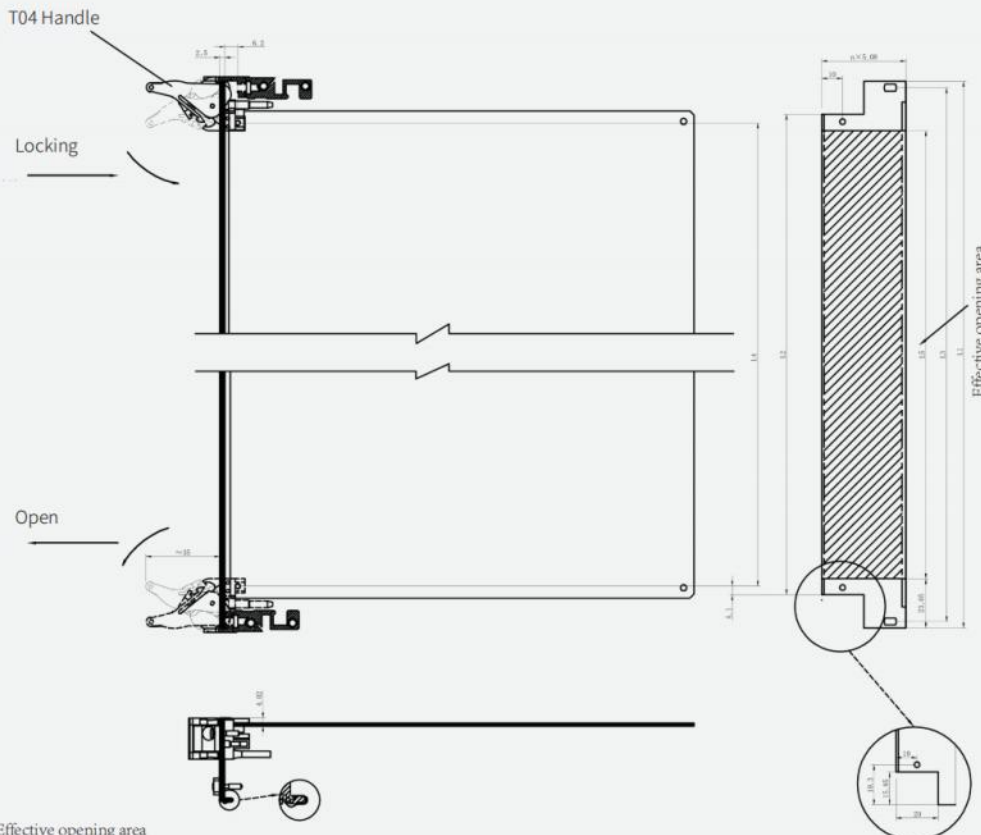


Panel profile



Delivery Comprises(kit)

Name	Qty	Order no	Description
T04 Top	1	1002022	Install in the top panel
T04 Bottom	1	1002023	Install in the bottom panel
Metal sleeve	2	1014002	Plastic
Metal sleeve	2	1014003	Brass
U-shaped panels	1	/	Front anodised rear conductive
EMC textile gasket	1	1008038	EMC textile gasket
Captive screws	4	1004023	Cross/captive screws M2.5 x 12 Stainless steel
Keying/Coding	6	1009010	Plastic
EMC gasket	1	1008015	EMC gasket
PCB Set screw	4	1004004	Pan head Pozidrive c/sk screw M2.5 x 6 Stainless steel



Effective opening area

Height	1.1mm	1.2mm	1.3mm	1.4mm	1.5mm
3U	128.7	115.4	122.50	88.9	81.7
4U	173.15	159.85	166.95	133.35	126.15
6U	262.05	248.75	255.85	222.25	215.05
9U	395.4	382.1	389.20	355.6	348.4

T04 Panel component



6U Panel component

T04 Handle order information

Width	I Panel	II Panel	III Panel	EMC gasket	EMC textile gasket	Black handle	Grey handle	Order no	
4HP	1			1		1		160400400	EK&EG PRO Series Subracks
4HP		1		1		1		260400400	EK&EG+ PRO Series Subracks
4HP			1	1		1		360400400	BEM&BEG PRO Series Subracks
4HP			1		1	1		360400401	BEM&BEG PRO Series Subracks
4HP	1			1			1	160400410	Handle specification and accessories
4HP		1		1			1	260400410	Handle specification and accessories
4HP			1	1			1	360400410	Handle specification and accessories
4HP			1		1		1	360400411	Handle specification and accessories
5HP	1			1		1		160500400	Guide rail specification and accessories
5HP		1		1		1		260500400	Guide rail specification and accessories
5HP			1	1		1		360500400	Guide rail specification and accessories
5HP			1		1	1		360500401	Guide rail specification and accessories
5HP	1			1			1	160500410	19"CUR Series Subracks
5HP		1		1			1	260500410	19"CUR Series Subracks
5HP			1	1			1	360500410	19"CUR Series Subracks
5HP			1		1		1	360500411	19"CUR Series Subracks
6HP	1			1		1		160600400	SNCF Series Subracks
6HP		1		1		1		260600400	SNCF Series Subracks
6HP			1	1		1		360600400	SNCF Series Subracks
6HP			1		1	1		360600401	SNCF Series Subracks
6HP	1			1			1	160600410	Shielded plug-in units Series Subracks
6HP		1		1			1	260600410	Shielded plug-in units Series Subracks
6HP			1	1			1	360600410	Shielded plug-in units Series Subracks
6HP			1		1		1	360600411	Shielded plug-in units Series Subracks
7HP	1			1		1		160700400	VERO Series Subracks
7HP		1		1		1		260700400	VERO Series Subracks
7HP			1	1		1		360700400	VERO Series Subracks
7HP			1		1	1		360700401	VERO Series Subracks
7HP	1			1			1	160700410	Protective Series Subracks
7HP		1		1			1	260700410	Protective Series Subracks
7HP			1	1			1	360700410	Protective Series Subracks
7HP			1		1		1	360700411	Protective Series Subracks
8HP	1			1		1		160800400	CASE Series Subracks
8HP		1		1		1		260800400	CASE Series Subracks
8HP			1	1		1		360800400	CASE Series Subracks
8HP			1		1	1		360800401	CASE Series Subracks
8HP	1			1			1	160800410	Type A Series Subracks
8HP		1		1			1	260800410	Type A Series Subracks
8HP			1	1			1	360800410	Type A Series Subracks
8HP			1		1		1	360800411	Type A Series Subracks
10HP	1			1		1		161000400	INTEGRATED side panel series subracks
10HP		1		1		1		261000400	INTEGRATED side panel series subracks
10HP			1	1		1		361000400	INTEGRATED side panel series subracks
10HP			1		1	1		361000401	INTEGRATED side panel series subracks
10HP	1			1			1	161000410	Subracks Accessories
10HP		1		1			1	261000410	Subracks Accessories
10HP			1	1			1	361000410	Subracks Accessories
10HP			1		1		1	361000411	Subracks Accessories
12HP	1			1		1		161200400	Panel component
12HP		1		1		1		261200400	Panel component
12HP			1	1		1		361200400	Panel component
12HP			1		1	1		361200401	Panel component
12HP	1			1			1	161200410	Order no. and page table
12HP		1		1			1	261200410	Order no. and page table
12HP			1	1			1	361200410	Order no. and page table
12HP			1		1		1	361200411	Order no. and page table

T04 Panel component



6U Panel component

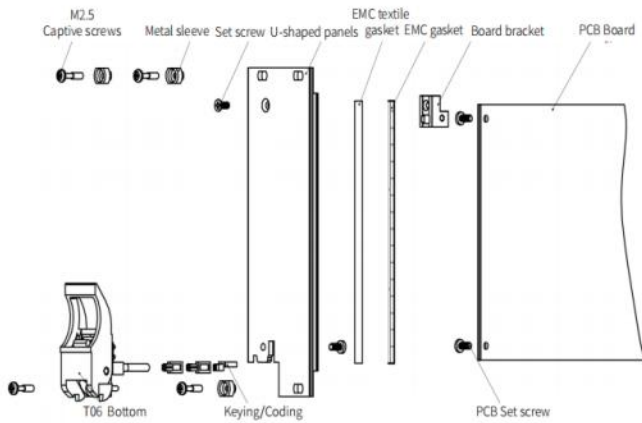
T04 Offset Handle order information

Width	I Panel	II Panel	III Panel	EMC gasket	EMC textile gasket	Black handle	Grey handle	Order no
4HP	1			1		1		160410400
4HP		1		1		1		260410400
4HP			1	1		1		360410400
4HP			1		1	1		360410401
4HP	1			1			1	160410410
4HP		1		1			1	260410410
4HP			1	1			1	360410410
4HP			1		1		1	360410411
5HP	1			1		1		160510400
5HP		1		1		1		260510400
5HP			1	1		1		360510400
5HP			1		1	1		360510401
5HP	1			1			1	160510410
5HP		1		1			1	260510410
5HP			1	1			1	360510410
5HP			1		1		1	360510411
6HP	1			1		1		160610400
6HP		1		1		1		260610400
6HP			1	1		1		360610400
6HP			1		1	1		360610401
6HP	1			1			1	160610410
6HP		1		1			1	260610410
6HP			1	1			1	360610410
6HP			1		1		1	360610411
7HP	1			1		1		160710400
7HP		1		1		1		260710400
7HP			1	1		1		360710400
7HP			1		1	1		360710401
7HP	1			1			1	160710410
7HP		1		1			1	260710410
7HP			1	1			1	360710410
7HP			1		1		1	360710411
8HP	1			1		1		160810400
8HP		1		1		1		260810400
8HP			1	1		1		360810400
8HP			1		1	1		360810401
8HP	1			1			1	160810410
8HP		1		1			1	260810410
8HP			1	1			1	360810410
8HP			1		1		1	360810411
10HP	1			1		1		161010400
10HP		1		1		1		261010400
10HP			1	1		1		361010400
10HP			1		1	1		361010401
10HP	1			1			1	161010410
10HP		1		1			1	261010410
10HP			1	1			1	361010410
10HP			1		1		1	361010411
12HP	1			1		1		161210400
12HP		1		1		1		261210400
12HP			1	1		1		361210400
12HP			1		1	1		361210401
12HP	1			1			1	161210410
12HP		1		1			1	261210410
12HP			1	1			1	361210410
12HP			1		1		1	361210411

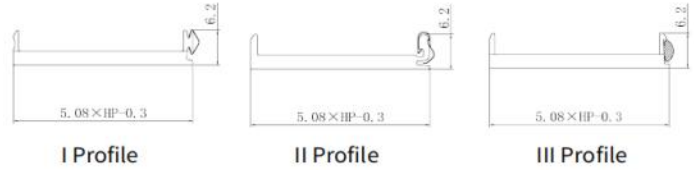
T06 Panel component



3U Panel component

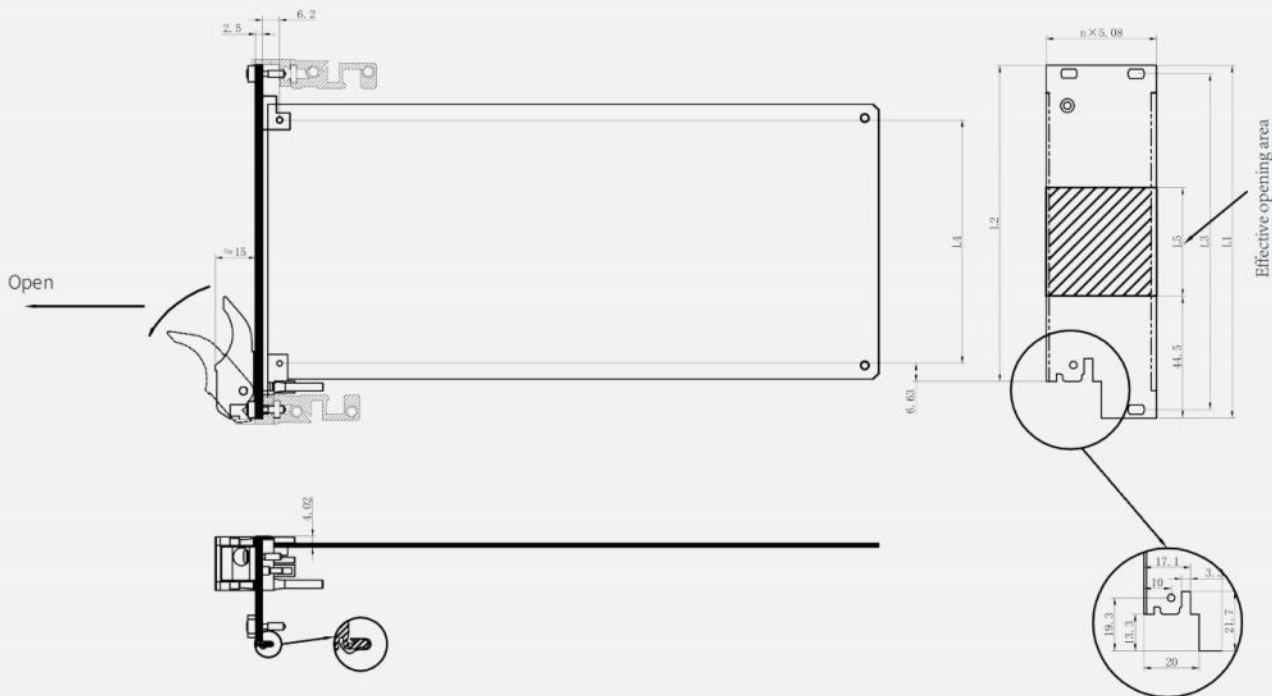


Panel profile



Delivery Comprises(kit)

Name	Qty	Order no	Description
T06 Bottom	1	1002031	Install in the bottom panel
Metal sleeve	3	1014002	Plastic
Metal sleeve	3	1014003	Brass
U-shaped panels	1	/	Front anodised rear conductive
EMC textile gasket	1	1008038	EMC textile gasket
Captive screws	4	1004023	Cross/captive screws M2.5×12 Stainless steel
Keying/Coding	3	1009010	Plastic
EMC gasket	1	1008015	EMC gasket
PCB Set screw	3	1004004	Pan head Pozidrive c/sk screw M2.5×6 Stainless steel
Set screw	1	1004011	Pan head Pozidrive c/sk screw M2.5×6 Stainless steel
Printed board bracket	1	1015004	Printed board bracket, Die-cast zinc



Effective opening area

Height	L1mm	L2mm	L3mm	L4mm	L5mm
3U	128.7	115.4	122.5	88.9	39.8
4U	173.15	159.85	166.95	133.35	84.3
6U	262.05	248.75	255.85	222.25	173.2
9U	395.4	382.1	389.2	355.6	306.5

EK&EG PRO Series Subracks
 EK+&EG+ PRO Series Subracks
 BEK&BEG PRO Series Subracks
 Handle specification and accessories
 Guide-rail specification and accessories
 19"CUR Series Subracks
 SNCF Series Subracks
 Shielded plug-in units Series Subracks
 VERO Series Subracks
 Protective Series Subracks
 CASE Series Subracks
 Type A Series Subracks
 Integrated side-panel series subracks
 IN-S Series Subracks
 Subracks Accessories
 Panel component
 Order no. and page Table

T06 Panel component



3U Panel component

T06 Handle order information

	Width	I Panel	II Panel	III Panel	EMC gasket	EMC textile gasket	Black handle	Grey handle	Order no
EK&EG PRO Series Subracks	4HP	1			1		1		130400600
EK&EG+ PRO Series Subracks	4HP		1		1		1		230400600
BEK&BEG PRO Series Subracks	4HP			1	1		1		330400600
BEK&BEG PRO Series Subracks	4HP			1		1			330400601
Handle specification and accessories	4HP	1			1			1	130400610
Handle specification and accessories	4HP		1		1			1	230400610
Handle specification and accessories	4HP			1	1			1	330400610
Guide rail specification and accessories	4HP			1		1		1	330400611
Guide rail specification and accessories	5HP	1			1		1		130500600
Guide rail specification and accessories	5HP		1		1		1		230500600
Guide rail specification and accessories	5HP			1	1		1		330500600
19" CUR Series Subracks	5HP			1		1			330500601
19" CUR Series Subracks	5HP	1			1			1	130500610
19" CUR Series Subracks	5HP		1		1			1	230500610
19" CUR Series Subracks	5HP			1	1			1	330500610
SNCF Series Subracks	5HP			1		1		1	330500611
SNCF Series Subracks	5HP			1			1		330500611
Shielded plug-in units Series Subracks	6HP	1			1		1		130600600
Shielded plug-in units Series Subracks	6HP		1		1		1		230600600
Shielded plug-in units Series Subracks	6HP			1	1		1		330600600
Shielded plug-in units Series Subracks	6HP			1		1		1	330600601
Shielded plug-in units Series Subracks	6HP	1			1			1	130600610
Shielded plug-in units Series Subracks	6HP		1		1			1	230600610
Shielded plug-in units Series Subracks	6HP			1	1			1	330600610
Shielded plug-in units Series Subracks	6HP			1		1		1	330600611
VERO Series Subracks	7HP	1			1		1		130700600
VERO Series Subracks	7HP		1		1		1		230700600
VERO Series Subracks	7HP			1	1		1		330700600
VERO Series Subracks	7HP			1		1			330700601
VERO Series Subracks	7HP	1			1			1	130700610
VERO Series Subracks	7HP		1		1			1	230700610
VERO Series Subracks	7HP			1	1			1	330700610
VERO Series Subracks	7HP			1		1		1	330700611
VERO Series Subracks	8HP	1			1		1		130800600
Type A Series Subracks	8HP		1		1		1		230800600
Type A Series Subracks	8HP			1	1		1		330800600
Type A Series Subracks	8HP			1		1			330800601
Integrated side panel series subracks	8HP	1			1			1	130800610
Integrated side panel series subracks	8HP		1		1			1	230800610
Integrated side panel series subracks	8HP			1	1			1	330800610
Integrated side panel series subracks	8HP			1		1		1	330800611
IN-S Series Subracks	10HP	1			1		1		131000600
IN-S Series Subracks	10HP		1		1		1		231000600
IN-S Series Subracks	10HP			1	1		1		331000600
IN-S Series Subracks	10HP			1		1		1	331000601
Subracks Accessories	10HP	1			1			1	131000610
Subracks Accessories	10HP		1		1			1	231000610
Subracks Accessories	10HP			1	1			1	331000610
Subracks Accessories	10HP			1		1		1	331000611
Panel component	12HP	1			1		1		131200600
Panel component	12HP		1		1		1		231200600
Panel component	12HP			1	1		1		331200600
Panel component	12HP			1		1			331200601
Order no. and page Table	12HP	1			1			1	131200610
Order no. and page Table	12HP		1		1			1	231200610
Order no. and page Table	12HP			1	1			1	331200610
Order no. and page Table	12HP			1		1		1	331200611

T06 Panel component



3U Panel component

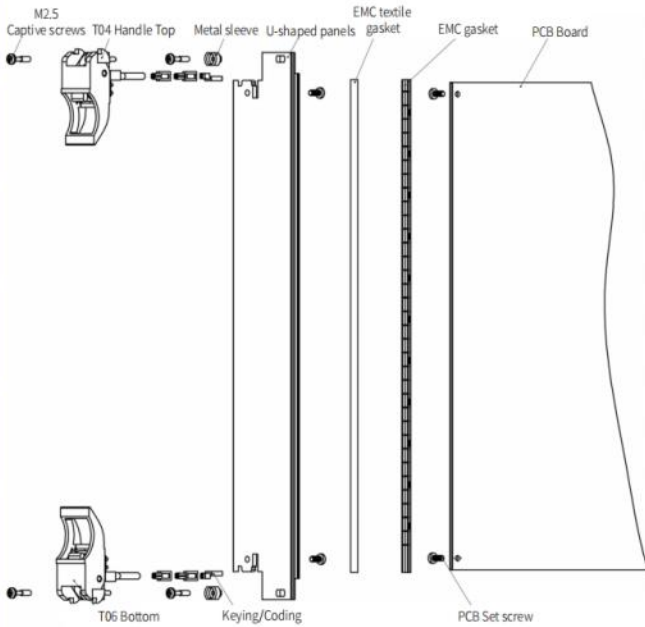
T06 Offset Handle order information

Width	IPanel	IIPanel	IIIPanel	EMC Gasket	EMC textile gasket	Black handle	Grey handle	Order no	
4HP	1			1		1		130410600	EK&EG PRO Series Subracks
4HP		1		1		1		230410600	EK&EG+PRO Series Subracks
4HP			1	1		1		330410600	BEK&BEG PRO Series Subracks
4HP			1		1	1		330410601	BEK&BEG PRO Series Subracks
4HP	1			1			1	130410610	Handle specification and accessories
4HP		1		1			1	230410610	Handle specification and accessories
4HP			1	1			1	330410610	Handle specification and accessories
4HP			1		1		1	330410611	Handle specification and accessories
5HP	1			1		1		130510600	Guide rail specification and accessories
5HP		1		1		1		230510600	Guide rail specification and accessories
5HP			1	1		1		330510600	Guide rail specification and accessories
5HP			1		1	1		330510601	Guide rail specification and accessories
5HP	1			1			1	130510610	19"CUR Series Subracks
5HP		1		1			1	230510610	19"CUR Series Subracks
5HP			1	1			1	330510610	19"CUR Series Subracks
5HP			1		1		1	330510611	19"CUR Series Subracks
6HP	1			1		1		130610600	SNCF Series Subracks
6HP		1		1		1		230610600	SNCF Series Subracks
6HP			1	1		1		330610600	SNCF Series Subracks
6HP			1		1	1		330610601	SNCF Series Subracks
6HP	1			1			1	130610610	Shielded plug-in units Series Subracks
6HP		1		1			1	230610610	Shielded plug-in units Series Subracks
6HP			1	1			1	330610610	Shielded plug-in units Series Subracks
6HP			1		1		1	330610611	Shielded plug-in units Series Subracks
7HP	1			1		1		130710600	VERO Series Subracks
7HP		1		1		1		230710600	VERO Series Subracks
7HP			1	1		1		330710600	VERO Series Subracks
7HP			1		1	1		330710601	VERO Series Subracks
7HP	1			1			1	130710610	Protective Series Subracks
7HP		1		1			1	230710610	Protective Series Subracks
7HP			1	1			1	330710610	Protective Series Subracks
7HP			1		1		1	330710611	Protective Series Subracks
8HP	1			1		1		130810600	CASE Series Subracks
8HP		1		1		1		230810600	CASE Series Subracks
8HP			1	1		1		330810600	CASE Series Subracks
8HP			1		1	1		330810601	CASE Series Subracks
8HP	1			1			1	130810610	Type A Series Subracks
8HP		1		1			1	230810610	Type A Series Subracks
8HP			1	1			1	330810610	Type A Series Subracks
8HP			1		1		1	330810611	Type A Series Subracks
10HP	1			1		1		131010600	INTEGRATED side panel series subracks
10HP		1		1		1		231010600	INTEGRATED side panel series subracks
10HP			1	1		1		331010600	INTEGRATED side panel series subracks
10HP			1		1	1		331010601	INTEGRATED side panel series subracks
10HP	1			1			1	131010610	Subracks Accessories
10HP		1		1			1	231010610	Subracks Accessories
10HP			1	1			1	331010610	Subracks Accessories
10HP			1		1		1	331010611	Subracks Accessories
12HP	1			1		1		131210600	Panel component
12HP		1		1		1		231210600	Panel component
12HP			1	1		1		331210600	Panel component
12HP			1		1	1		331210601	Panel component
12HP	1			1			1	131210610	Order no. and page Table
12HP		1		1			1	231210610	Order no. and page Table
12HP			1	1			1	331210610	Order no. and page Table
12HP			1		1		1	331210611	Order no. and page Table

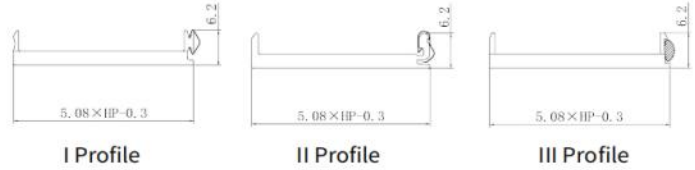
T06 Panel component



6U Panel component

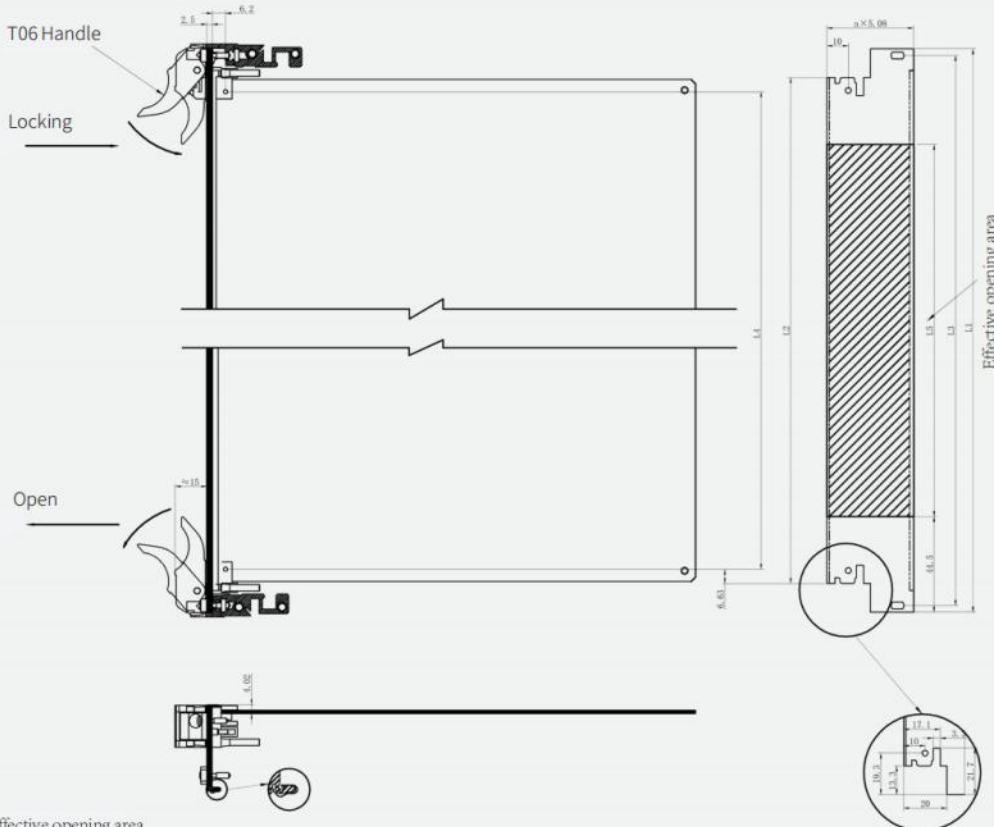


Panel profile



Delivery Comprises(kit)

Name	Qty	Order no	Description
T06 Top	1	1002030	Install in the top panel
T06 Bottom	1	1002031	Install in the bottom panel
Metal sleeve	2	1014002	Plastic
Metal sleeve	2	1014003	Brass
U-shaped panels	1	/	Front anodised rear conductive
EMC textile gasket	1	1008038	EMC textile gasket
Captive screws	4	1004023	Cross/captive screws M2.5 x 12 Stainless steel
Keying/Coding	6	1009010	Plastic
EMC gasket	1	1008015	EMC gasket
PCB Set screw	4	1004004	Pan head Pozidrive c/sk screw M2.5 x 6 Stainless steel



Effective opening area

Height	L1mm	L2mm	L3mm	L4mm	L5mm
3U	128.7	115.4	122.5	88.9	39.8
4U	173.15	159.85	166.95	133.35	84.3
6U	262.05	248.75	255.85	222.25	173.2
9U	395.4	382.1	389.2	355.6	306.5

T06 Panel component



6U Panel component

T06 Handle order information

Width	IPanel	IIPanel	IIIPanel	EMC Gasket	EMC textile gasket	Black handle	Grey handle	Order no
4HP	1			1		1		160400600
4HP		1		1		1		260400600
4HP			1	1		1		360400600
4HP			1		1	1		360400601
4HP	1			1			1	160400610
4HP		1		1			1	260400610
4HP			1	1			1	360400610
4HP			1		1		1	360400611
5HP	1			1		1		160500600
5HP		1		1		1		260500600
5HP			1	1		1		360500600
5HP			1		1	1		360500601
5HP	1			1			1	160500610
5HP		1		1			1	260500610
5HP			1	1			1	360500610
5HP			1		1		1	360500611
6HP	1			1		1		160600600
6HP		1		1		1		260600600
6HP			1	1		1		360600600
6HP			1		1	1		360600601
6HP	1			1			1	160600610
6HP		1		1			1	260600610
6HP			1	1			1	360600610
6HP			1		1		1	360600611
7HP	1			1		1		160700600
7HP		1		1		1		260700600
7HP			1	1		1		360700600
7HP			1		1	1		360700601
7HP	1			1			1	160700610
7HP		1		1			1	260700610
7HP			1	1			1	360700610
7HP			1		1		1	360700611
8HP	1			1		1		160800600
8HP		1		1		1		260800600
8HP			1	1		1		360800600
8HP			1		1	1		360800601
8HP	1			1			1	160800610
8HP		1		1			1	260800610
8HP			1	1			1	360800610
8HP			1		1		1	360800611
10HP	1			1		1		161000600
10HP		1		1		1		261000600
10HP			1	1		1		361000600
10HP			1		1	1		361000601
10HP	1			1			1	161000610
10HP		1		1			1	261000610
10HP			1	1			1	361000610
10HP			1		1		1	361000611
12HP	1			1		1		161200600
12HP		1		1		1		261200600
12HP			1	1		1		361200600
12HP			1		1	1		361200601
12HP	1			1			1	161200610
12HP		1		1			1	261200610
12HP			1	1			1	361200610
12HP			1		1		1	361200611

EK&EG PRO Series Subracks

EK+&EG+PRO Series Subracks

BEK&BEG PRO Series Subracks

Handle specification and accessories

Guide rail specification and accessories

19" CUR Series Subracks

SNCF Series Subracks

Shielded plug-in units Series Subracks

VERO Series Subracks

Protective Series Subracks

CASE Series Subracks

Type A Series Subracks

Integrated side panel series subracks

IN-S Series Subracks

Subracks Accessories

Panel component

Order no. and page Table

T06 Panel component



6U Panel component

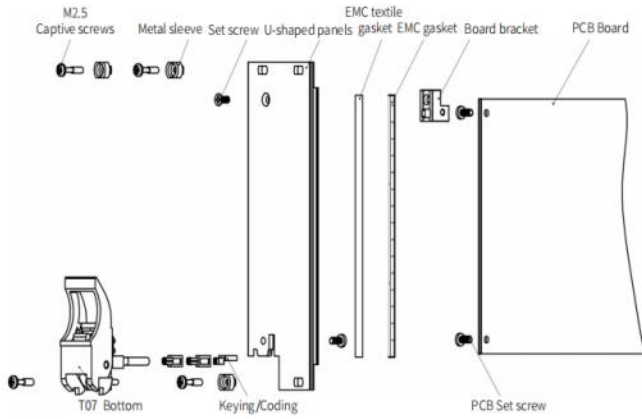
T06 Offset Handle order information

Width	IPanel	IIPanel	IIIPanel	EMC Gasket	EMC textile gasket	Black handle	Grey handle	Order no
4HP	1			1		1		160410600
4HP		1		1		1		260410600
4HP			1	1		1		360410600
4HP			1		1	1		360410601
4HP	1			1			1	160410610
4HP		1		1			1	260410610
4HP			1	1			1	360410610
4HP			1		1		1	360410611
5HP	1			1		1		160510600
5HP		1		1		1		260510600
5HP			1	1		1		360510600
5HP			1		1	1		360510601
5HP	1			1			1	160510610
5HP		1		1			1	260510610
5HP			1	1			1	360510610
5HP			1		1		1	360510611
6HP	1			1		1		160610600
6HP		1		1		1		260610600
6HP			1	1		1		360610600
6HP			1		1	1		360610601
6HP	1			1			1	160610610
6HP		1		1			1	260610610
6HP			1	1			1	360610610
6HP			1		1		1	360610611
7HP	1			1		1		160710600
7HP		1		1		1		260710600
7HP			1	1		1		360710600
7HP			1		1	1		360710601
7HP	1			1			1	160710610
7HP		1		1			1	260710610
7HP			1	1			1	360710610
7HP			1		1		1	360710611
8HP	1			1		1		160810600
8HP		1		1		1		260810600
8HP			1	1		1		360810600
8HP			1		1	1		360810601
8HP	1			1			1	160810610
8HP		1		1			1	260810610
8HP			1	1			1	360810610
8HP			1		1		1	360810611
10HP	1			1		1		161010600
10HP		1		1		1		261010600
10HP			1	1		1		361010600
10HP			1		1	1		361010601
10HP	1			1			1	161010610
10HP		1		1			1	261010610
10HP			1	1			1	361010610
10HP			1		1		1	361010611
12HP	1			1		1		161210600
12HP		1		1		1		261210600
12HP			1	1		1		361210600
12HP			1		1	1		361210601
12HP	1			1			1	161210610
12HP		1		1			1	261210610
12HP			1	1			1	361210610
12HP			1		1		1	361210611

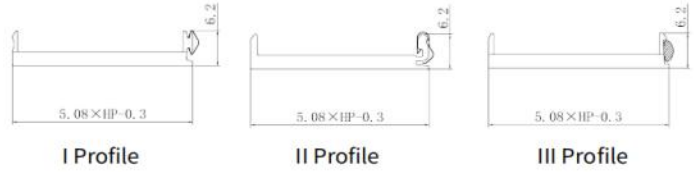
T07 Panel component



3U Panel component

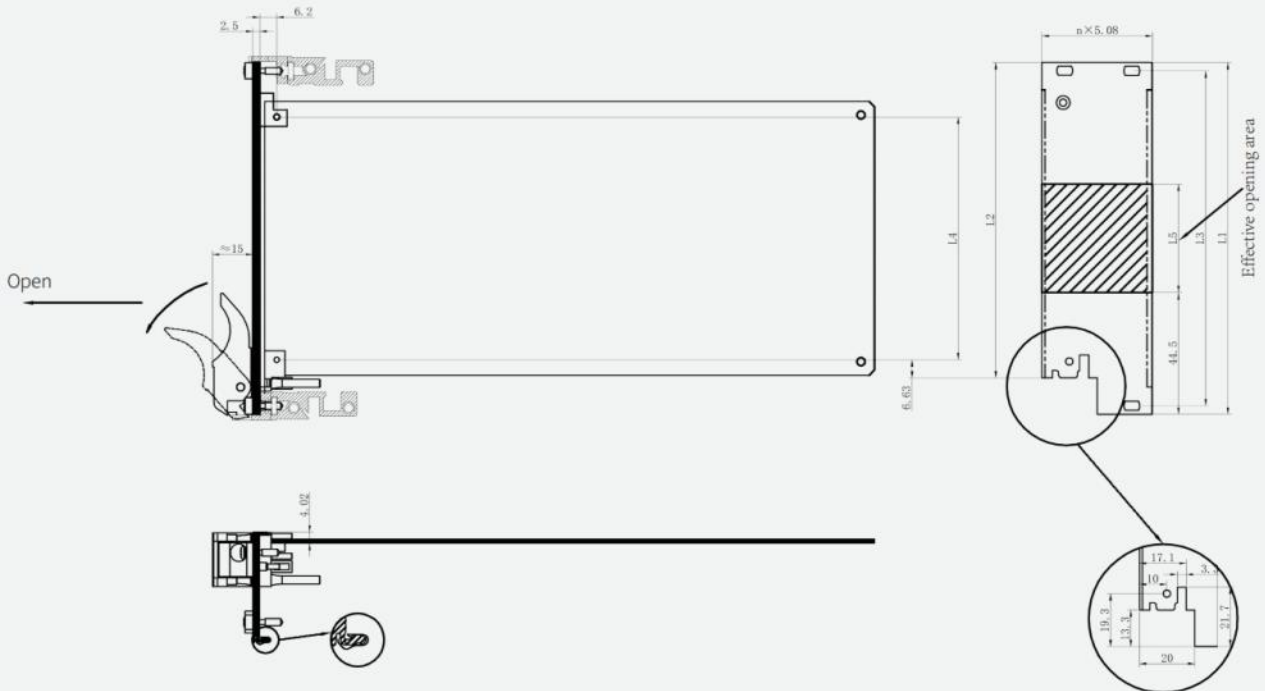


Panel profile



Delivery Comprises(kit)

Name	Qty	Order no	Description
T07 Bottom	1	1002033	Install in the bottom panel
Metal sleeve	3	1014002	Plastic
Metal sleeve	3	1014003	Brass
U-shaped panels	1	/	Front anodised rear conductive
EMC textile gasket	1	1008038	EMC textile gasket
Captive screws	4	1004023	Cross/captive screws M2.5 x 12 Stainless steel
Keying/Coding	3	1009010	Plastic
EMC gasket	1	1008015	EMC gasket
PCB Set screw	3	1004004	Pan head Pozidrive c/sk screw M2.5 x 6 Stainless steel
Set screw	1	1004011	Pan head Pozidrive c/sk screw M2.5 x 6 Stainless steel
Printed board bracket	1	1015004	Printed board bracket, PC+20%GF, Die-cast zinc



Effective opening area

Height	L1mm	L2mm	L3mm	L4mm	L5mm
3U	128.7	115.4	122.5	88.9	39.8
4U	173.15	159.85	166.95	133.35	84.3
6U	262.05	248.75	255.85	222.25	173.2
9U	395.4	382.1	389.2	355.6	306.5

EK&EG PRO Series Subracks
 EK+&EG+ PRO Series Subracks
 BEK&BEG PRO Series Subracks
 Handle specification and accessories
 Guide rail specification and accessories
 19" CUR Series Subracks
 SNCF Series Subracks
 Shielded plug-in units Series Subracks
 VERO Series Subracks
 Protective Series Subracks
 CASE Series Subracks
 Type A Series Subracks
 Integrated slide panels series subracks
 IN-S Series Subracks
 Subracks Accessories
 Panel component
 Order no. and page Table

T07 Panel component



3U Panel component

T07 Handle order information

Width	IPanel	IIPanel	IIIPanel	EMC Gasket	EMC textile gasket	Black handle	Grey handle	Order no
4HP	1			1		1		130400700
4HP		1		1		1		230400700
4HP			1	1		1		330400700
4HP			1		1	1		330400701
4HP	1			1			1	130400710
4HP		1		1			1	230400710
4HP			1	1			1	330400710
4HP			1		1		1	330400711
5HP	1			1		1		130500700
5HP		1		1		1		230500700
5HP			1	1		1		330500700
5HP			1		1	1		330500701
5HP	1			1			1	130500710
5HP		1		1			1	230500710
5HP			1	1			1	330500710
5HP			1		1		1	330500711
6HP	1			1		1		130600700
6HP		1		1		1		230600700
6HP			1	1		1		330600700
6HP			1		1	1		330600701
6HP	1			1			1	130600710
6HP		1		1			1	230600710
6HP			1	1			1	330600710
6HP			1		1		1	330600711
7HP	1			1		1		130700700
7HP		1		1		1		230700700
7HP			1	1		1		330700700
7HP			1		1	1		330700701
7HP	1			1			1	130700710
7HP		1		1			1	230700710
7HP			1	1			1	330700710
7HP			1		1		1	330700711
8HP	1			1		1		130800700
8HP		1		1		1		230800700
8HP			1	1		1		330800700
8HP			1		1	1		330800701
8HP	1			1			1	130800710
8HP		1		1			1	230800710
8HP			1	1			1	330800710
8HP			1		1		1	330800711
10HP	1			1		1		131000700
10HP		1		1		1		231000700
10HP			1	1		1		331000700
10HP			1		1	1		331000701
10HP	1			1			1	131000710
10HP		1		1			1	231000710
10HP			1	1			1	331000710
10HP			1		1		1	331000711
12HP	1			1		1		131200700
12HP		1		1		1		231200700
12HP			1	1		1		331200700
12HP			1		1	1		331200701
12HP	1			1			1	131200710
12HP		1		1			1	231200710
12HP			1	1			1	331200710
12HP			1		1		1	331200711

T07 Panel component



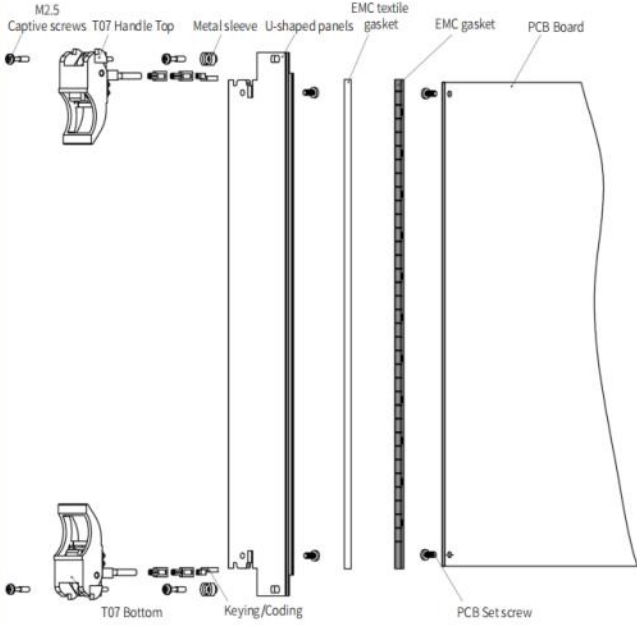
3U Panel component

T07 Offset Handle order information

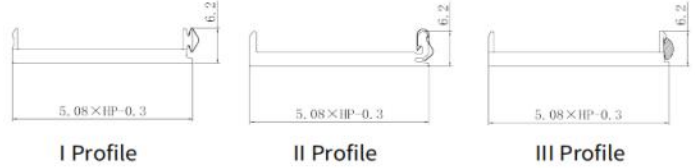
Width	IPanel	IIPanel	IIIPanel	EMC Gasket	EMC textile gasket	Black handle	Grey handle	Order no	
4HP	1			1		1		130410700	EK&EG PRO Series Subtracks
4HP		1		1		1		230410700	EK&EG+PRO Series Subtracks
4HP			1	1		1		330410700	BEK&BEG PRO Series Subtracks
4HP			1		1	1		330410701	BEK&BEG PRO Series Subtracks
4HP	1			1			1	130410710	Handle specification and accessories
4HP		1		1			1	230410710	Handle specification and accessories
4HP			1	1			1	330410710	Handle specification and accessories
4HP			1		1		1	330410711	Handle specification and accessories
5HP	1			1		1		130510700	Guide rail specification and accessories
5HP		1		1		1		230510700	Guide rail specification and accessories
5HP			1	1		1		330510700	Guide rail specification and accessories
5HP			1		1	1		330510701	Guide rail specification and accessories
5HP	1			1			1	130510710	19"CUR Series Subtracks
5HP		1		1			1	230510710	19"CUR Series Subtracks
5HP			1	1			1	330510710	19"CUR Series Subtracks
5HP			1		1		1	330510711	19"CUR Series Subtracks
6HP	1			1		1		130610700	SNCF Series Subtracks
6HP		1		1		1		230610700	SNCF Series Subtracks
6HP			1	1		1		330610700	SNCF Series Subtracks
6HP			1		1	1		330610701	SNCF Series Subtracks
6HP	1			1			1	130610710	Shielded plug-in units Series Subtracks
6HP		1		1			1	230610710	Shielded plug-in units Series Subtracks
6HP			1	1			1	330610710	Shielded plug-in units Series Subtracks
6HP			1		1		1	330610711	Shielded plug-in units Series Subtracks
7HP	1			1		1		130710700	VERO Series Subtracks
7HP		1		1		1		230710700	VERO Series Subtracks
7HP			1	1		1		330710700	VERO Series Subtracks
7HP			1		1	1		330710701	VERO Series Subtracks
7HP	1			1			1	130710710	Protective Series Subtracks
7HP		1		1			1	230710710	Protective Series Subtracks
7HP			1	1			1	330710710	Protective Series Subtracks
7HP			1		1		1	330710711	Protective Series Subtracks
8HP	1			1		1		130810700	CASE Series Subtracks
8HP		1		1		1		230810700	CASE Series Subtracks
8HP			1	1		1		330810700	CASE Series Subtracks
8HP			1		1	1		330810701	CASE Series Subtracks
8HP	1			1			1	130810710	Type A Series Subtracks
8HP		1		1			1	230810710	Type A Series Subtracks
8HP			1	1			1	330810710	Type A Series Subtracks
8HP			1		1		1	330810711	Type A Series Subtracks
10HP	1			1		1		131010700	IN-S Series Subtracks
10HP		1		1		1		231010700	IN-S Series Subtracks
10HP			1	1		1		331010700	IN-S Series Subtracks
10HP			1		1	1		331010701	IN-S Series Subtracks
10HP	1			1			1	131010710	Subtracks Accessories
10HP		1		1			1	231010710	Subtracks Accessories
10HP			1	1			1	331010710	Subtracks Accessories
10HP			1		1		1	331010711	Subtracks Accessories
12HP	1			1		1		131210700	Panel component
12HP		1		1		1		231210700	Panel component
12HP			1	1		1		331210700	Panel component
12HP			1		1	1		331210701	Panel component
12HP	1			1			1	131210710	Order no. and page Table
12HP		1		1			1	231210710	Order no. and page Table
12HP			1	1			1	331210710	Order no. and page Table
12HP			1		1		1	331210711	Order no. and page Table

T07 Panel component

6U Panel component

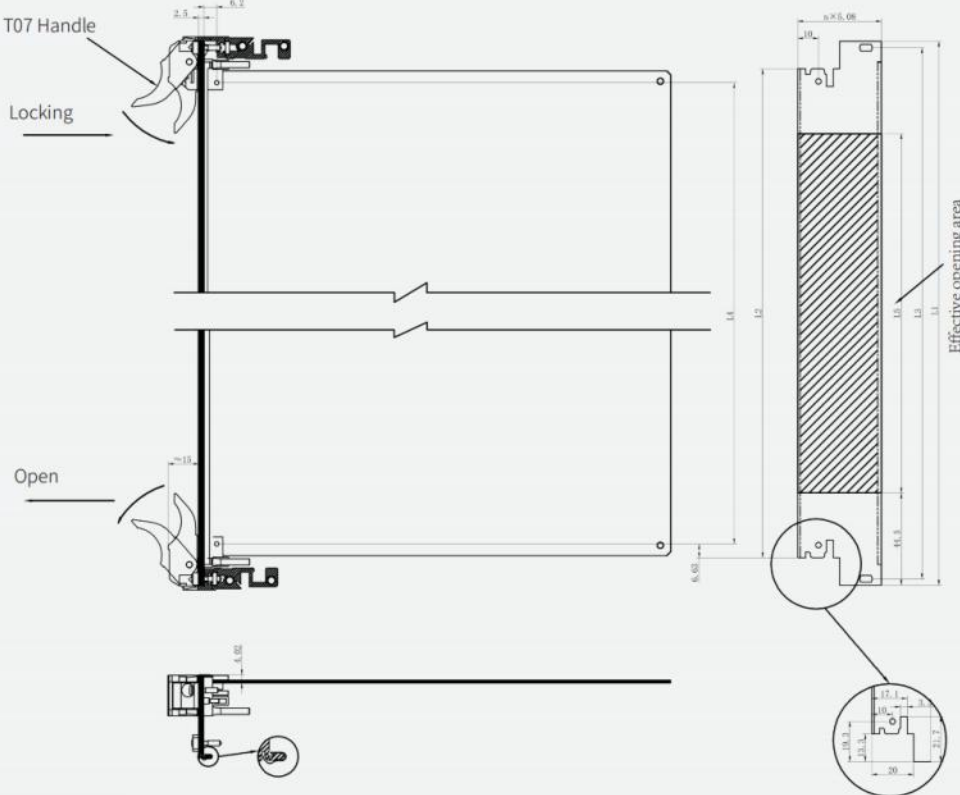


Panel profile



Delivery Comprises(kit)

Name	Qty	Order no	Description
T07 Top	1	1002032	Install in the top panel
T01 Bottom	1	1002033	Install in the bottom panel
Metal sleeve	2	1014002	Plastic
Metal sleeve	2	1014003	Brass
U-shaped panels	1	/	Front anodised rear conductive
EMC textile gasket	1	1008038	EMC textile gasket
Captive screws	4	1004023	Cross/captive screws M2.5×12 Stainless steel
Keying/Coding	6	1009010	Plastic
EMC gasket	1	1008015	EMC gasket
PCB Set screw	4	1004004	Pan head Pozidrive c/sk screw M2.5×6 Stainless steel



Effective opening area

Height	L1mm	L2mm	L3mm	L4mm	L5mm
3U	128.7	115.4	122.5	88.9	39.8
4U	173.15	159.85	166.95	133.35	84.3
6U	262.05	248.75	255.85	222.25	173.2
9U	395.4	382.1	389.2	355.6	306.5

T07 Panel component



6U Panel component

T07 Handle order information

Width	IPanel	IIPanel	IIIPanel	EMC Gasket	EMC textile gasket	Black handle	Grey handle	Order no
4HP	1			1		1		160400700
4HP		1		1		1		260400700
4HP			1	1		1		360400700
4HP			1		1	1		360400701
4HP	1			1			1	160400710
4HP		1		1			1	260400710
4HP			1	1			1	360400710
4HP			1		1		1	360400711
5HP	1			1		1		160500700
5HP		1		1		1		260500700
5HP			1	1		1		360500700
5HP			1		1	1		360500701
5HP	1			1			1	160500710
5HP		1		1			1	260500710
5HP			1	1			1	360500710
5HP			1		1		1	360500711
6HP	1			1		1		160600700
6HP		1		1		1		260600700
6HP			1	1		1		360600700
6HP			1		1	1		360600701
6HP	1			1			1	160600710
6HP		1		1			1	260600710
6HP			1	1			1	360600710
6HP			1		1		1	360600711
7HP	1			1		1		160700700
7HP		1		1		1		260700700
7HP			1	1		1		360700700
7HP			1		1	1		360700701
7HP	1			1			1	160700710
7HP		1		1			1	260700710
7HP			1	1			1	360700710
7HP			1		1		1	360700711
8HP	1			1		1		160800700
8HP		1		1		1		260800700
8HP			1	1		1		360800700
8HP			1		1	1		360800701
8HP	1			1			1	160800710
8HP		1		1			1	260800710
8HP			1	1			1	360800710
8HP			1		1		1	360800711
10HP	1			1		1		161000700
10HP		1		1		1		261000700
10HP			1	1		1		361000700
10HP			1		1	1		361000701
10HP	1			1			1	161000710
10HP		1		1			1	261000710
10HP			1	1			1	361000710
10HP			1		1		1	361000711
12HP	1			1		1		161200700
12HP		1		1		1		261200700
12HP			1	1		1		361200700
12HP			1		1	1		361200701
12HP	1			1			1	161200710
12HP		1		1			1	261200710
12HP			1	1			1	361200710
12HP			1		1		1	361200711

EK&EG PRO Series Subtracks
EK&EG+ PRO Series Subtracks
BEM&BEG PRO Series Subtracks
Handle specification and accessories
Guide rail specification and accessories
19" CUR Series Subtracks
SNCF Series Subtracks
Shielded plug-in units Series Subtracks
VERO Series Subtracks
Protective Series Subtracks
CASE Series Subtracks
Type A Series Subtracks
Integrated side panel series subtracks
IN-S Series Subtracks
Subtracks Accessories
Panel component
Order no. and page Table

T07 Panel component



6U Panel component

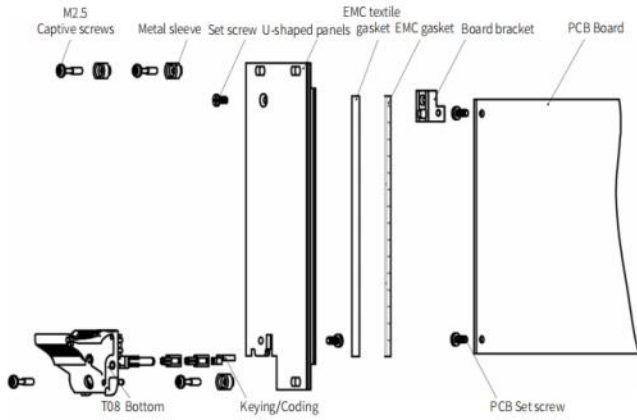
T07 Offset Handle order information

Width	IPanel	IIPanel	IIIPanel	EMC Gasket	EMC textile gasket	Black handle	Grey handle	Order no
4HP	1			1		1		160410700
4HP		1		1		1		260410700
4HP			1	1		1		360410700
4HP			1		1	1		360410701
4HP	1			1			1	160410710
4HP		1		1			1	260410710
4HP			1	1			1	360410710
4HP			1		1		1	360410711
5HP	1			1		1		160510700
5HP		1		1		1		260510700
5HP			1	1		1		360510700
5HP			1		1	1		360510701
5HP	1			1			1	160510710
5HP		1		1			1	260510710
5HP			1	1			1	360510710
5HP			1		1		1	360510711
6HP	1			1		1		160610700
6HP		1		1		1		260610700
6HP			1	1		1		360610700
6HP			1		1	1		360610701
6HP	1			1			1	160610710
6HP		1		1			1	260610710
6HP			1	1			1	360610710
6HP			1		1		1	360610711
7HP	1			1		1		160710700
7HP		1		1		1		260710700
7HP			1	1		1		360710700
7HP			1		1	1		360710701
7HP	1			1			1	160710710
7HP		1		1			1	260710710
7HP			1	1			1	360710710
7HP			1		1		1	360710711
8HP	1			1		1		160810700
8HP		1		1		1		260810700
8HP			1	1		1		360810700
8HP			1		1	1		360810701
8HP	1			1			1	160810710
8HP		1		1			1	260810710
8HP			1	1			1	360810710
8HP			1		1		1	360810711
10HP	1			1		1		161010700
10HP		1		1		1		261010700
10HP			1	1		1		361010700
10HP			1		1	1		361010701
10HP	1			1			1	161010710
10HP		1		1			1	261010710
10HP			1	1			1	361010710
10HP			1		1		1	361010711
12HP	1			1		1		161210700
12HP		1		1		1		261210700
12HP			1	1		1		361210700
12HP			1		1	1		361210701
12HP	1			1			1	161210710
12HP		1		1			1	261210710
12HP			1	1			1	361210710
12HP			1		1		1	361210711

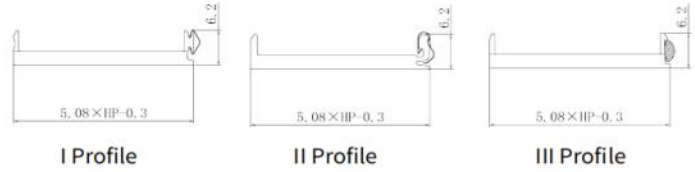
T08 Panel component



3U Panel component

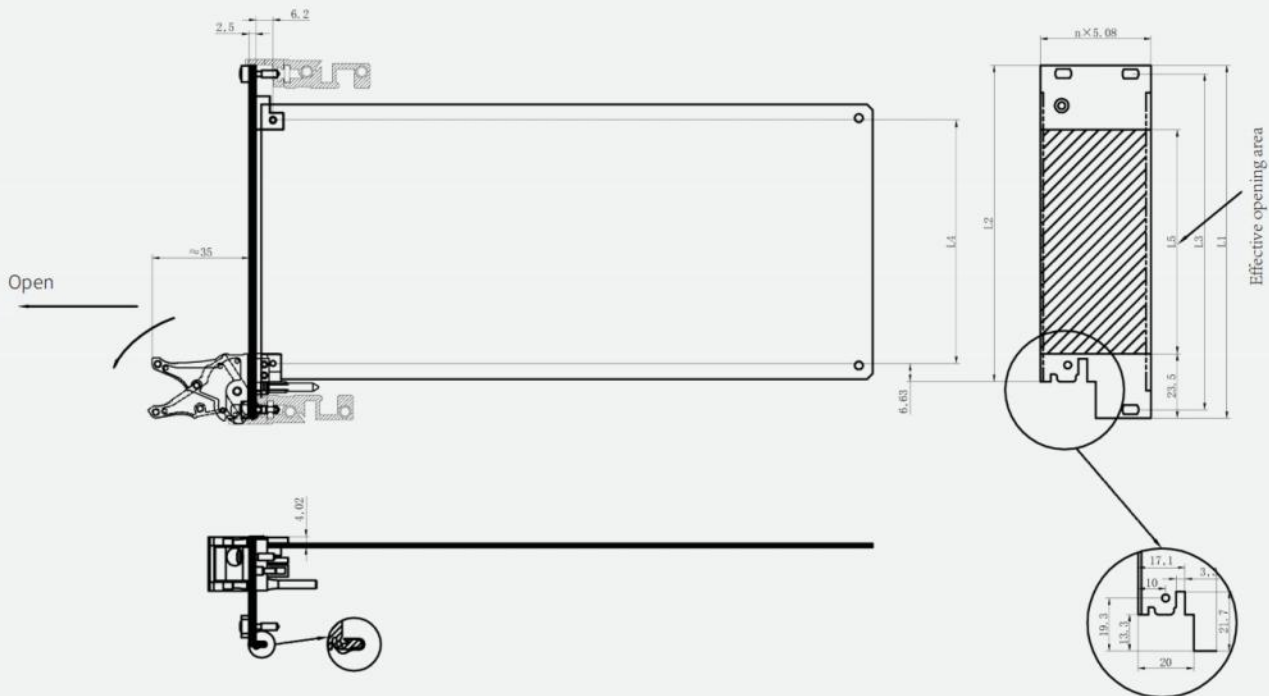


Panel profile



Delivery Comprises(kit)

Name	Qty	Order no	Description
T08 Bottom	1	1002037	Install in the bottom panel
Metal sleeve	3	1014002	Plastic
Metal sleeve	3	1014003	Brass
U-shaped panels	1	/	Front anodised rear conductive
EMC textile gasket	1	1008038	EMC textile gasket
Captive screws	4	1004023	Cross/captive screws M2.5×12 Stainless steel
Keying/Coding	3	1009010	Plastic
EMC gasket	1	1008015	EMC gasket
PCB Set screw	3	1004004	Pan head Pozidrive c/sk screw M2.5×6 Stainless steel
Set screw	1	1004011	Pan head Pozidrive c/sk screw M2.5×6 Stainless steel
Printed board bracket	1	1015004	Printed board bracket, PC+20%GF, Die-cast zinc



Effective opening area

Height	L1mm	L2mm	L3mm	L4mm	L5mm
3U	128.7	115.4	122.5	88.9	81.7
4U	173.15	159.85	166.95	133.35	126.15
6U	262.05	248.75	255.85	222.25	215.05
9U	395.4	382.1	389.2	355.6	348.4

EK&EG PRO Series Subracks
 EK+MEG+PRO Series Subracks
 BEK&BEG PRO Series Subracks
 Handle specification and accessories
 Guide rail specification and accessories
 19"CUR Series Subracks
 SNCF Series Subracks
 Shielded plug-in units Series Subracks
 VERO Series Subracks
 Protective Series Subracks
 CASE Series Subracks
 Type A Series Subracks
 Integrated side panels series subracks
 IN-S Series Subracks
 Subracks Accessories
 Panel component
 Order no. and page Table

T08 Panel component



3U Panel component

T08 Handle order information

	Width	IPanel	IIPanel	IIIPanel	EMC Gasket	EMC textile gasket	Black handle	Grey handle	Order no
EK&EG PRO Series Subracks	4HP	1			1		1		130400800
EK&EG+PRO Series Subracks	4HP		1		1		1		230400800
BEK&BEG PRO Series Subracks	4HP			1	1		1		330400800
Handle specification and accessories	4HP			1		1			330400801
	4HP	1			1			1	130400810
	4HP		1		1			1	230400810
	4HP			1	1			1	330400810
	4HP			1		1		1	330400811
	4HP	1				1			130500800
Guide rail specification and accessories	5HP		1		1		1		230500800
	5HP			1	1		1		330500800
	5HP			1		1	1		330500801
19" CUR Series Subracks	5HP	1			1			1	130500810
	5HP		1		1			1	230500810
	5HP			1	1			1	330500810
SNCF Series Subracks	5HP			1		1		1	330500811
	6HP	1			1		1		130600800
	6HP		1		1		1		230600800
Shielded plug-in units Series Subracks	6HP			1	1		1		330600800
	6HP			1		1	1		330600801
	6HP	1			1			1	130600810
	6HP		1		1			1	230600810
	6HP			1	1			1	330600810
	6HP			1		1		1	330600811
VERO Series Subracks	7HP	1			1		1		130700800
	7HP		1		1		1		230700800
	7HP			1	1		1		330700800
Protective Series Subracks	7HP			1		1			330700801
	7HP	1			1			1	130700810
	7HP		1		1			1	230700810
	7HP			1	1			1	330700810
	7HP			1		1		1	330700811
	7HP	1				1			330700811
CASE Series Subracks	8HP	1			1		1		130800800
	8HP		1		1		1		230800800
	8HP			1	1		1		330800800
Type A Series Subracks	8HP			1		1			330800801
	8HP	1			1			1	130800810
	8HP		1		1			1	230800810
	8HP			1	1			1	330800810
	8HP			1		1		1	330800811
	8HP	1				1			330800811
Integrated side panel series subracks	10HP	1			1		1		131000800
	10HP		1		1		1		231000800
	10HP			1	1		1		331000800
	10HP			1		1	1		331000801
	10HP	1				1		1	131000810
	10HP		1			1		1	231000810
IN-S Series Subracks	10HP			1	1			1	331000810
	10HP			1		1		1	331000811
	10HP	1				1			131200800
	10HP		1			1			231200800
	10HP			1	1		1		331200800
	10HP			1		1	1		331200801
Subracks Accessories	12HP	1			1			1	131200810
	12HP		1		1			1	231200810
	12HP			1	1			1	331200810
	12HP			1		1	1		331200801
	12HP	1				1		1	131200810
	12HP		1			1		1	231200810
Panel component	12HP			1	1			1	331200810
	12HP			1		1		1	331200811
	12HP			1		1		1	331200811

T08 Panel component



3U Panel component

T08 Offset Handle order information

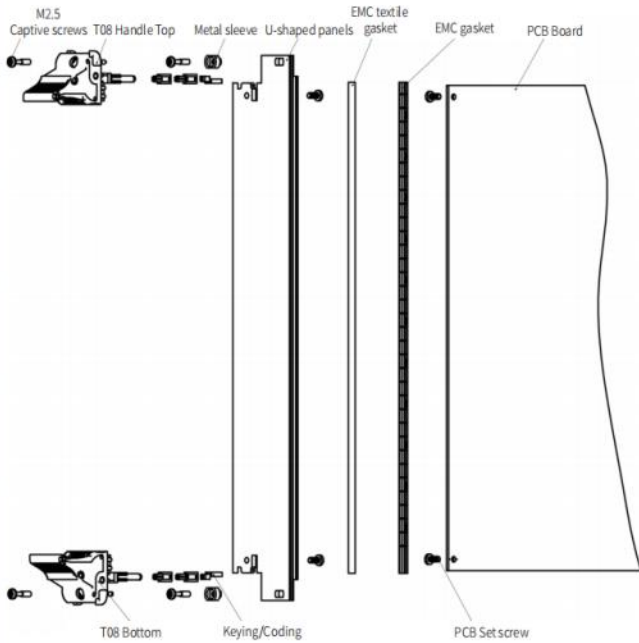
Width	IPanel	IIPanel	IIIPanel	EMC Gasket	EMC textile gasket	Black handle	Grey handle	Order no
4HP	1			1		1		130410800
4HP		1		1		1		230410800
4HP			1	1		1		330410800
4HP			1		1	1		330410801
4HP	1			1			1	130410810
4HP		1		1			1	230410810
4HP			1	1			1	330410810
4HP			1		1		1	330410811
5HP	1			1		1		130510800
5HP		1		1		1		230510800
5HP			1	1		1		330510800
5HP			1		1	1		330510801
5HP	1			1			1	130510810
5HP		1		1			1	230510810
5HP			1	1			1	330510810
5HP			1		1		1	330510811
6HP	1			1		1		130610800
6HP		1		1		1		230610800
6HP			1	1		1		330610800
6HP			1		1	1		330610801
6HP	1			1			1	130610810
6HP		1		1			1	230610810
6HP			1	1			1	330610810
6HP			1		1		1	330610811
7HP	1			1		1		130710800
7HP		1		1		1		230710800
7HP			1	1		1		330710800
7HP			1		1	1		330710801
7HP	1			1			1	130710810
7HP		1		1			1	230710810
7HP			1	1			1	330710810
7HP			1		1		1	330710811
8HP	1			1		1		130810800
8HP		1		1		1		230810800
8HP			1	1		1		330810800
8HP			1		1	1		330810801
8HP	1			1			1	130810810
8HP		1		1			1	230810810
8HP			1	1			1	330810810
8HP			1		1		1	330810811
10HP	1			1		1		131010800
10HP		1		1		1		231010800
10HP			1	1		1		331010800
10HP			1		1	1		331010801
10HP	1			1			1	131010810
10HP		1		1			1	231010810
10HP			1	1			1	331010810
10HP			1		1		1	331010811
12HP	1			1		1		131210800
12HP		1		1		1		231210800
12HP			1	1		1		331210800
12HP			1		1	1		331210801
12HP	1			1			1	131210810
12HP		1		1			1	231210810
12HP			1	1			1	331210810
12HP			1		1		1	331210811

EK&EG PRO Series Subracks
EK+&EG+PRO Series Subracks
BEK&BEG PRO Series Subracks
Handle specification and accessories
Guide rail specification and accessories
19"CUR Series Subracks
SNCF Series Subracks
Shielded plug-in units Series Subracks
VERO Series Subracks
Protective Series Subracks
CASE Series Subracks
Type A Series Subracks
Integrated side panel series subracks
IN-S Series Subracks
Subracks Accessories
Panel component
Order no. and page Table

T08 Panel component



6U Panel component

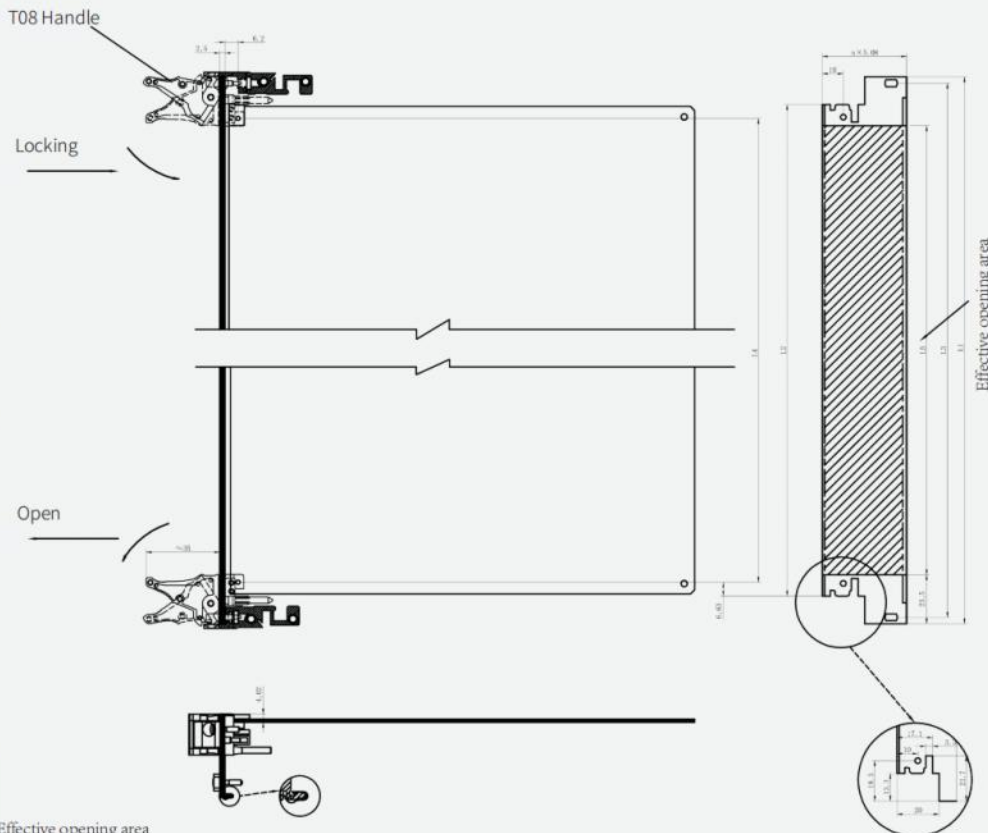


Panel profile



Delivery Comprises (kit)

Name	Qty	Order no	Description
T08 Top	1	1002034	Install in the top panel
T08 Bottom	1	1002035	Install in the bottom panel
Metal sleeve	2	1014002	Plastic
Metal sleeve	2	1014003	Brass
U-shaped panels	1	/	Front anodised rear conductive
EMC textile gasket	1	1008038	EMC textile gasket
Captive screws	4	1004023	Cross/captive screws M2.5 x 12 Stainless steel
Keying/Coding	6	1009010	Plastic
EMC gasket	1	1008015	EMC gasket
PCB Set screw	4	1004004	Pan head Pozidrive c/sk screw M2.5 x 6 Stainless steel



Effective opening area

Height	L1mm	L2mm	L3mm	L4mm	L5mm
3U	128.7	115.4	122.5	88.9	81.7
4U	173.15	159.85	166.95	133.35	126.15
6U	262.05	248.75	255.85	222.25	215.05
9U	395.4	382.1	389.2	355.6	348.4

6U Panel component

T08 Handle order information

Width	IPanel	IIPanel	IIIPanel	EMC Gasket	EMC textile gasket	Black handle	Grey handle	Order no
4HP	1			1		1		160400800
4HP		1		1		1		260400800
4HP			1	1		1		360400800
4HP			1		1	1		360400801
4HP	1			1			1	160400810
4HP		1		1			1	260400810
4HP			1	1			1	360400810
4HP			1		1		1	360400811
5HP	1			1		1		160500800
5HP		1		1		1		260500800
5HP			1	1		1		360500800
5HP			1		1	1		360500801
5HP	1			1			1	160500810
5HP		1		1			1	260500810
5HP			1	1			1	360500810
5HP			1		1		1	360500811
6HP	1			1		1		160600800
6HP		1		1		1		260600800
6HP			1	1		1		360600800
6HP			1		1	1		360600801
6HP	1			1			1	160600810
6HP		1		1			1	260600810
6HP			1	1			1	360600810
6HP			1		1		1	360600811
7HP	1			1		1		160700800
7HP		1		1		1		260700800
7HP			1	1		1		360700800
7HP			1		1	1		360700801
7HP	1			1			1	160700810
7HP		1		1			1	260700810
7HP			1	1			1	360700810
7HP			1		1		1	360700811
8HP	1			1		1		160800800
8HP		1		1		1		260800800
8HP			1	1		1		360800800
8HP			1		1	1		360800801
8HP	1			1			1	160800810
8HP		1		1			1	260800810
8HP			1	1			1	360800810
8HP			1		1		1	360800811
10HP	1			1		1		161000800
10HP		1		1		1		261000800
10HP			1	1		1		361000800
10HP			1		1	1		361000801
10HP	1			1			1	161000810
10HP		1		1			1	261000810
10HP			1	1			1	361000810
10HP			1		1		1	361000811
12HP	1			1		1		161200800
12HP		1		1		1		261200800
12HP			1	1		1		361200800
12HP			1		1	1		361200801
12HP	1			1			1	161200810
12HP		1		1			1	261200810
12HP			1	1			1	361200810
12HP			1		1		1	361200811

EK&BEG PRO Series Subtracks
EK+&BEG+PRO Series Subtracks
BEK&BEG PRO Series Subtracks
Handle specification and accessories
Guide rail specification and accessories
19"CUR Series Subtracks
SNCF Series Subtracks
Shielded plug-in units Series Subtracks
VERO Series Subtracks
Protective Series Subtracks
CASE Series Subtracks
Type A Series Subtracks
Integrated slide panels series subtracks
IN-S Series Subtracks
Subtracks Accessories
Panel component
Order no. and page Table

T08 Panel component

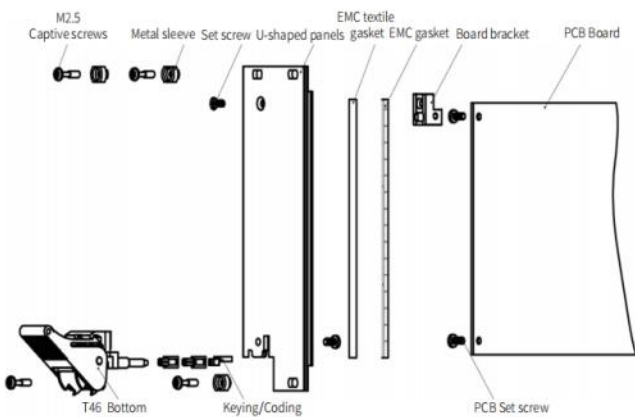


6U Panel component

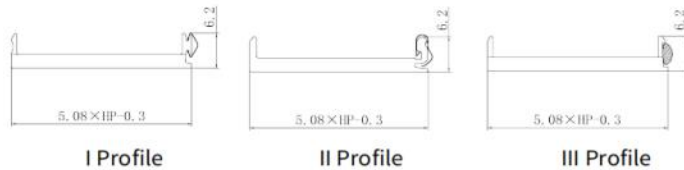
T08 Offset Handle order information

	Width	IPanel	IIPanel	IIIPanel	EMC Gasket	EMC textile gasket	Black handle	Grey handle	Order no
EK&EG PRO Series Subracks	4HP	1			1		1		160410800
EK&EG+PRO Series Subracks	4HP		1		1		1		260410800
BEK&BEG PRO Series Subracks	4HP			1	1		1		360410800
Handle specification and accessories	4HP			1		1	1		360410801
	4HP	1			1			1	160410810
	4HP		1		1			1	260410810
	4HP			1	1			1	360410810
Guide rail specification and accessories	4HP			1		1		1	360410811
	5HP	1			1		1		160510800
	5HP		1		1		1		260510800
	5HP			1	1		1		360510800
19" CUR Series Subracks	5HP			1		1	1		360510801
	5HP	1			1			1	160510810
	5HP		1		1			1	260510810
	5HP			1	1			1	360510810
SNCF Series Subracks	5HP			1		1		1	360510811
	6HP	1			1		1		160610800
	6HP		1		1		1		260610800
	6HP			1	1		1		360610800
Shielded plug-in units Series Subracks	6HP	1			1		1		360610801
	6HP		1		1			1	160610810
	6HP			1	1			1	260610810
	6HP			1	1			1	360610810
VERO Series Subracks	6HP			1		1		1	360610811
	7HP	1			1		1		160710800
	7HP		1		1		1		260710800
	7HP			1	1		1		360710800
Protective Series Subracks	7HP			1		1	1		360710801
	7HP	1			1			1	160710810
	7HP		1		1			1	260710810
	7HP			1	1			1	360710810
CASE Series Subracks	7HP			1		1		1	360710811
	8HP	1			1		1		160810800
	8HP		1		1		1		260810800
	8HP			1	1		1		360810800
Type A Series Subracks	8HP			1		1	1		360810801
	8HP	1			1			1	160810810
	8HP		1		1			1	260810810
	8HP			1	1			1	360810810
Integrated side panel series subracks	8HP			1		1		1	360810811
	10HP	1			1		1		161010800
	10HP		1		1		1		261010800
	10HP			1	1		1		361010800
IN-S Series Subracks	10HP			1		1	1		361010801
	10HP	1			1			1	161010810
	10HP		1		1			1	261010810
	10HP			1	1			1	361010810
Subracks Accessories	10HP			1		1		1	361010811
	12HP	1			1		1		161210800
	12HP		1		1		1		261210800
	12HP			1	1		1		361210800
Panel component	12HP			1		1	1		361210801
	12HP	1			1			1	161210810
	12HP		1		1			1	261210810
	12HP			1	1			1	361210810
	12HP			1	1			1	361210810
	12HP			1		1		1	361210811

3U Panel component

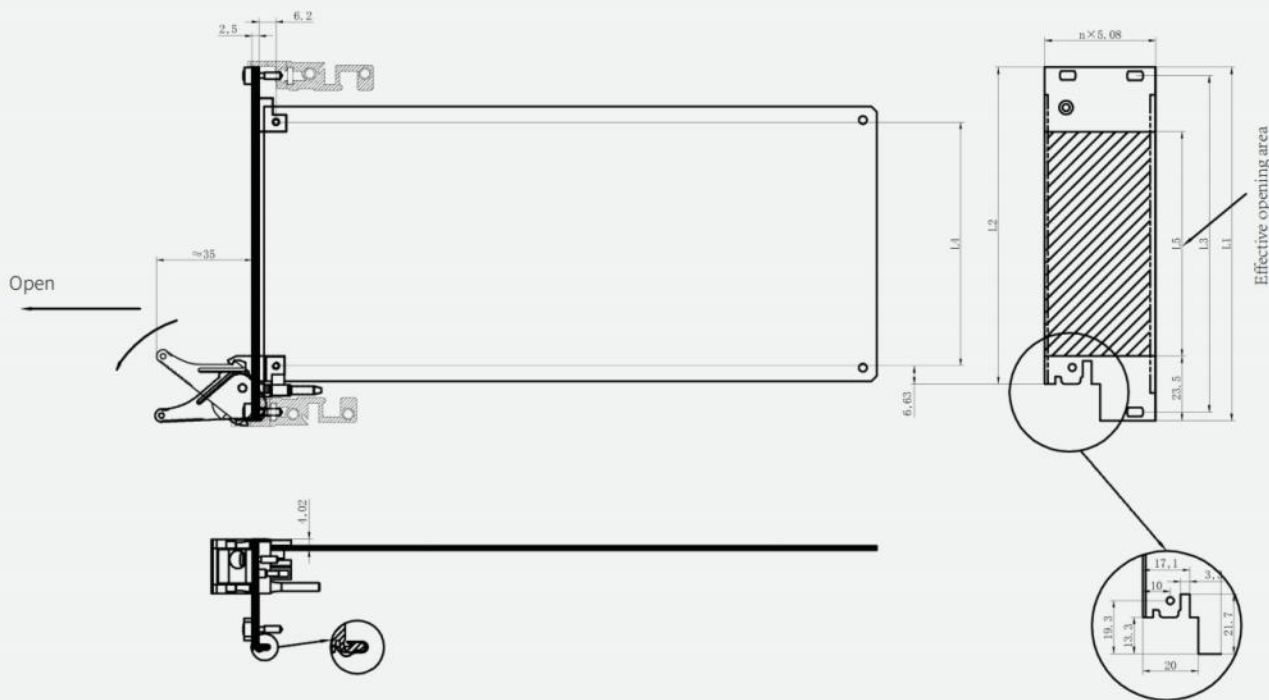


Panel profile



Delivery Comprises(kit)

Name	Qty	Order no	Description
T46 Bottom	1	1002056	Install in the bottom panel
Metal sleeve	3	1014002	Plastic
Metal sleeve	3	1014003	Brass
U-shaped panels	1	/	Front anodised rear conductive
EMC textile gasket	1	1008038	EMC textile gasket
Captive screws	4	1004023	Cross/captive screws M2.5×12 Stainless steel
Keying/Coding	3	1009010	Plastic
EMC gasket	1	1008015	EMC gasket
PCB Set screw	3	1004004	Pan head Pozidrive c/sk screw M2.5×6 Stainless steel
Set screw	1	1004011	Pan head Pozidrive c/sk screw M2.5×6 Stainless steel
Printed board bracket	1	1015004	Printed board bracket, PC+20%GF, Die-cast zinc



Effective opening area

Height	L1mm	L2mm	L3mm	L4mm	L5mm
3U	128.7	115.4	122.5	88.9	81.7
4U	173.15	159.85	166.95	133.35	126.15
6U	262.05	248.75	255.85	222.25	215.05
9U	395.4	382.1	389.2	355.6	348.4

EK&EG PRO Series Subracks
EK+MEG+PRO Series Subracks
BEK&BEG PRO Series Subracks
Handle specification and accessories
Guide rail specification and accessories
19" CUR Series Subracks
SNCF Series Subracks
Shielded plug-in units Series Subracks
VERO Series Subracks
Protective Series Subracks
CASE Series Subracks
Type A Series Subracks
Integrated side panel series subracks
IN-S Series Subracks
Subracks Accessories
Panel component
Order no. and page Table

T46 Panel component



3U Panel component

T46 Handle order information

	Width	IPanel	IIPanel	IIIPanel	EMC Gasket	EMC textile gasket	Black handle	Grey handle	Order no
	4HP	1			1		1		130404630
	4HP		1		1		1		230404630
	4HP			1	1		1		330404630
	4HP			1		1			330404631
	4HP	1			1			1	130404640
	4HP		1		1			1	230404640
	4HP			1	1			1	330404640
	4HP			1		1		1	330404641
	5HP	1			1		1		130504630
	5HP		1		1		1		230504630
	5HP			1	1		1		330504630
	5HP			1		1	1		330504631
	5HP	1			1			1	130504640
	5HP		1		1			1	230504640
	5HP			1	1			1	330504640
	5HP			1		1		1	330504641
	6HP	1			1		1		130604630
	6HP		1		1		1		230604630
	6HP			1	1		1		330604630
	6HP			1		1	1		330604631
	6HP	1			1			1	130604640
	6HP		1		1			1	230604640
	6HP			1	1			1	330604640
	6HP			1		1		1	330604641
	7HP	1			1		1		130704630
	7HP		1		1		1		230704630
	7HP			1	1		1		330704630
	7HP			1		1	1		330704631
	7HP	1			1			1	130704640
	7HP		1		1			1	230704640
	7HP			1	1			1	330704640
	7HP			1		1		1	330704641
	8HP	1			1		1		130806430
	8HP		1		1		1		230804630
	8HP			1	1		1		330804630
	8HP			1		1	1		330804631
	8HP	1			1			1	130804640
	8HP		1		1			1	230804640
	8HP			1	1			1	330804640
	8HP			1		1		1	330804641
	10HP	1			1		1		131004630
	10HP		1		1		1		231004630
	10HP			1	1		1		331004630
	10HP			1		1	1		331004631
	10HP	1			1			1	131004640
	10HP		1		1			1	231004640
	10HP			1	1			1	331004640
	10HP			1		1		1	331004641
	12HP	1			1		1		131204630
	12HP		1		1		1		231204630
	12HP			1	1		1		331204630
	12HP			1		1	1		331204631
	12HP	1			1			1	131204640
	12HP		1		1			1	231204640
	12HP			1	1			1	331204640
	12HP			1		1		1	331204641

T46 Panel component



3U Panel component

T46 Offset Handle order information

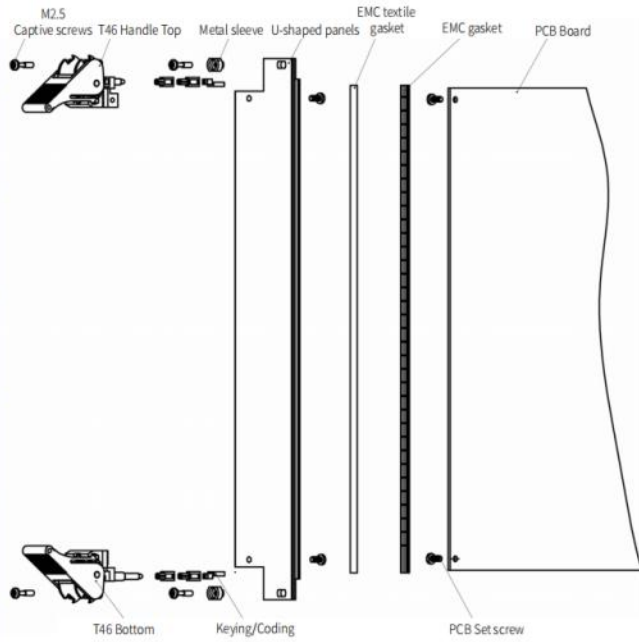
Width	IPanel	IIPanel	IIIPanel	EMC Gasket	EMC textile gasket	Black handle	Grey handle	Order no
4HP	1			1		1		130414630
4HP		1		1		1		230414630
4HP			1	1		1		330414630
4HP			1		1	1		330414631
4HP	1			1			1	130414640
4HP		1		1			1	230414640
4HP			1	1			1	330414640
4HP			1		1		1	330414641
5HP	1			1		1		130514630
5HP		1		1		1		230514630
5HP			1	1		1		330514630
5HP			1		1	1		330514631
5HP	1			1			1	130514640
5HP		1		1			1	230514640
5HP			1	1			1	330514640
5HP			1		1		1	330514641
6HP	1			1		1		130614630
6HP		1		1		1		230614630
6HP			1	1		1		330614630
6HP			1		1	1		330614631
6HP	1			1			1	130614640
6HP		1		1			1	230614640
6HP			1	1			1	330614640
6HP			1		1		1	330614641
7HP	1			1		1		130714630
7HP		1		1		1		230714630
7HP			1	1		1		330714630
7HP			1		1	1		330714631
7HP	1			1			1	130714640
7HP		1		1			1	230714640
7HP			1	1			1	330714640
7HP			1		1		1	330714641
8HP	1			1		1		130814630
8HP		1		1		1		230814630
8HP			1	1		1		330814630
8HP			1		1	1		330814631
8HP	1			1			1	130814640
8HP		1		1			1	230814640
8HP			1	1			1	330814640
8HP			1		1		1	330814641
10HP	1			1		1		131014630
10HP		1		1		1		231014630
10HP			1	1		1		331014630
10HP			1		1	1		331014631
10HP	1			1			1	131014640
10HP		1		1			1	231014640
10HP			1	1			1	331014640
10HP			1		1		1	331014641
12HP	1			1		1		131214630
12HP		1		1		1		231214630
12HP			1	1		1		331214630
12HP			1		1	1		331214631
12HP	1			1			1	131214640
12HP		1		1			1	231214640
12HP			1	1			1	331214640
12HP			1		1		1	331214641

EK&EG PRO Series Subracks
 EK&EG+ PRO Series Subracks
 BEK&BEG PRO Series Subracks
 Handle specification and accessories
 Guide rail specification and accessories
 19" CUR Series Subracks
 SNCF Series Subracks
 Shielded plug-in units Series Subracks
 VERO Series Subracks
 Protective Series Subracks
 CASE Series Subracks
 Type A Series Subracks
 Integrated side panel series subracks
 IN-S Series Subracks
 Subracks Accessories
 Panel component
 Order no. and page Table

T46 Panel component



6U Panel component

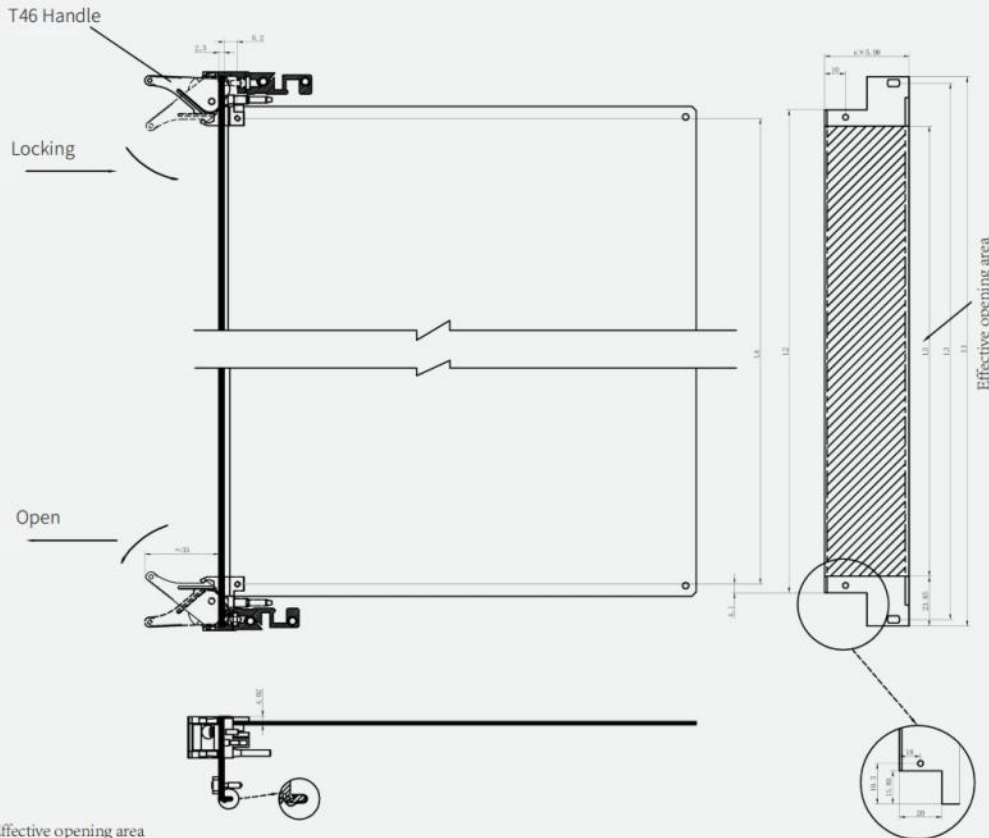


Panel profile



Delivery Comprises(kit)

Name	Qty	Order no	Description
T46 Top	1	1002056	Install in the top panel
T46 Bottom	1	1002056	Install in the bottom panel
Metal sleeve	2	1014002	Plastic
Metal sleeve	2	1014003	Brass
U-shaped panels	1	/	Front anodised rear conductive
EMC textile gasket	1	1008038	EMC textile gasket
Captive screws	4	1004023	Cross/captive screws M2.5×12 Stainless steel
Keying/Coding	6	1009010	Plastic
EMC gasket	1	1008015	EMC gasket
PCB Set screw	4	1004004	Pan head Pozidrive c/sk screw M2.5×6 Stainless steel



Effective opening area

Height	L1mm	L2mm	L3mm	L4mm	L5mm
3U	128.7	115.4	122.5	88.9	81.7
4U	173.15	159.85	166.95	133.35	126.15
6U	262.05	248.75	255.85	222.25	215.05
9U	395.4	382.1	389.2	355.6	348.4

T46 Panel component



6U Panel component

T46 Handle order information

Width	IPanel	IIPanel	IIIPanel	EMC Gasket	EMC textile gasket	Black handle	Grey handle	Order no
4HP	1			1		1		160404630
4HP		1		1		1		260404630
4HP			1	1		1		360404630
4HP			1		1	1		360404631
4HP	1			1			1	160404640
4HP		1		1			1	260404640
4HP			1	1			1	360404640
4HP			1		1		1	360404641
5HP	1			1		1		160504630
5HP		1		1		1		260504630
5HP			1	1		1		360504630
5HP			1		1	1		360504631
5HP	1			1			1	160504640
5HP		1		1			1	260504640
5HP			1	1			1	360504640
5HP			1		1		1	360504641
6HP	1			1		1		160604630
6HP		1		1		1		260604630
6HP			1	1		1		360604630
6HP			1		1	1		360604631
6HP	1			1			1	160604640
6HP		1		1			1	260604640
6HP			1	1			1	360604640
6HP			1		1		1	360604641
7HP	1			1		1		160704630
7HP		1		1		1		260704630
7HP			1	1		1		360704630
7HP			1		1	1		360704631
7HP	1			1			1	160704640
7HP		1		1			1	260704640
7HP			1	1			1	360704640
7HP			1		1		1	360704641
8HP	1			1		1		160806400
8HP		1		1		1		260804600
8HP			1	1		1		360804600
8HP			1		1	1		360804601
8HP	1			1			1	160804640
8HP		1		1			1	260804640
8HP			1	1			1	360804640
8HP			1		1		1	360804641
10HP	1			1		1		161004600
10HP		1		1		1		261004600
10HP			1	1		1		361004600
10HP			1		1	1		361004601
10HP	1			1			1	161004640
10HP		1		1			1	261004640
10HP			1	1			1	361004640
10HP			1		1		1	361004641
12HP	1			1		1		161204600
12HP		1		1		1		261204600
12HP			1	1		1		361204600
12HP			1		1	1		361204601
12HP	1			1			1	161204640
12HP		1		1			1	261204640
12HP			1	1			1	361204640
12HP			1		1		1	361204641

EK&EG PRO Series Subracks
 EK&EG+ PRO Series Subracks
 BEK&BEG PRO Series Subracks
 Handle specification and accessories
 Gold rail specification and accessories
 19" CUR Series Subracks
 SNCF Series Subracks
 Shielded plug-in units Series Subracks
 VERO Series Subracks
 Protective Series Subracks
 CASE Series Subracks
 Type A Series Subracks
 Integrated side panel series subracks
 IN-S Series Subracks
 Subracks Accessories
 Panel component
 Order no. and page Table

T46 Panel component



6U Panel component

T46 Offset Handle order information

Width	IPanel	IIPanel	IIIPanel	EMC Gasket	EMC textile gasket	Black handle	Grey handle	Order no
4HP	1			1		1		160414630
4HP		1		1		1		260414630
4HP			1	1		1		360414630
4HP			1		1	1		360414631
4HP	1			1			1	160414640
4HP		1		1			1	260414640
4HP			1	1			1	360414640
4HP			1		1		1	360414641
5HP	1			1		1		160514630
5HP		1		1		1		260514630
5HP			1	1		1		360514630
5HP			1		1	1		360514631
5HP	1			1			1	160514640
5HP		1		1			1	260514640
5HP			1	1			1	360514640
5HP			1		1		1	360514641
6HP	1			1		1		160614630
6HP		1		1		1		260614630
6HP			1	1		1		360614630
6HP			1		1	1		360614631
6HP	1			1			1	160614640
6HP		1		1			1	260614640
6HP			1	1			1	360614640
6HP			1		1		1	360614641
7HP	1			1		1		160714630
7HP		1		1		1		260714630
7HP			1	1		1		360714630
7HP			1		1	1		360714631
7HP	1			1			1	160714640
7HP		1		1			1	260714640
7HP			1	1			1	360714640
7HP			1		1		1	360714641
8HP	1			1		1		160814600
8HP		1		1		1		260814600
8HP			1	1		1		360814600
8HP			1		1	1		360814601
8HP	1			1			1	160814640
8HP		1		1			1	260814640
8HP			1	1			1	360814640
8HP			1		1		1	360814641
10HP	1			1		1		161014600
10HP		1		1		1		261014600
10HP			1	1		1		361014600
10HP			1		1	1		361014601
10HP	1			1			1	161014640
10HP		1		1			1	261014640
10HP			1	1			1	361014640
10HP			1		1		1	361014641
12HP	1			1		1		161214600
12HP		1		1		1		261214600
12HP			1	1		1		361214600
12HP			1		1	1		361214601
12HP	1			1			1	161214640
12HP		1		1			1	261214640
12HP			1	1			1	361214640
12HP			1		1		1	361214641

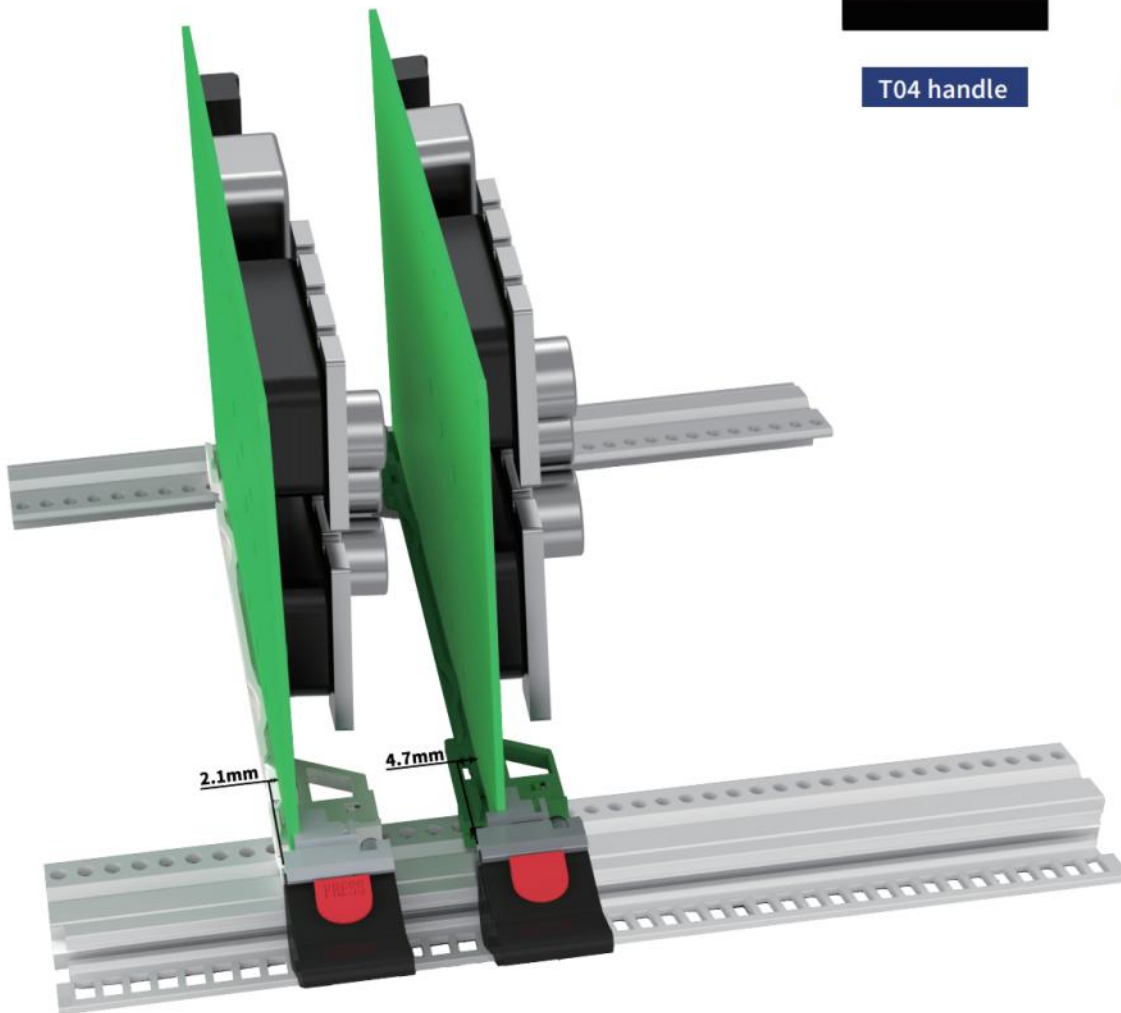
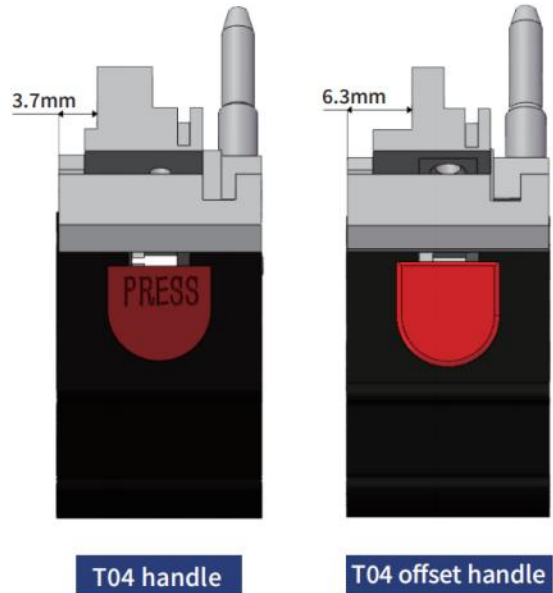
Offset Handle



Application of Offset Handle

- Most PCB boards in the subracks are soldered with components on the right side, and components can also be soldered on the left side of the PCB board
- When welding the left component, if the left component is $>2.1\text{mm}$ and $<4.7\text{mm}$, an offset handle and offset guide rail need to be used
- When using the offset handle and offset guide rail, it is necessary to modify the position of the connector on the backplane accordingly
- The I-type handle and F-type handle cannot be applied to solder components on the left side of the PCB board. Currently, only the T-type offset handle are applicable

- The following figure is a comparison of the handle, and the dimensions in the figure include 1.6mm of the PCB board



EK&EG PRO Series Subracks
EK+MEG+PRO Series Subracks
BEK&BEG PRO Series Subracks
Handle specification and accessories
Guide rail specification and accessories
19" CR Series Subracks
SNCF Series Subracks
Shielded plug-in units Series Subracks
VERO Series Subracks
Protective Series Subracks
CASE Series Subracks
Type A Series Subracks
Integrated side panel series subracks
IN-S Series Subracks
Subracks Accessories
Panel component
Order no. and page Table

Order no. and page Table

0010008TO0110063

Order no	Page	Order no	Page	Order no	Page	Order no	Page	Order no	Page	Order no	Page
00100008	37	00130402	75	00161003	75	009016306	32	009038402	29	01074000	140
00100052	148	00130403	75	00161004	75	009016307	31	009038403	30	01083000	140
00100066	37	00130404	75	00161201	75	009016308	31	009038404	30	01083021	140
00100100	125	00130501	75	00161202	75	009016309	31	009114202	30	01083035	140
00100101	125	00130502	75	00161203	75	009018401	29	009116301	30	01084000	140
00100102	125	00130503	75	00161204	75	009018402	30	009116302	30	01093000	140
00100103	125	00130504	75	00232810	137	009018403	30	0100003	9	01093021	140
00100104	125	00130601	75	00234210	137	009018404	30	0100005	9	01093035	140
00100105	125	00130602	75	00236310	137	009018405	31	0100006	9	01094000	140
00100106	125	00130603	75	00238410	137	009018406	32	0100007	9	0110003	9
00100107	125	00130604	75	00238420	138	009018407	31	0100010	10	0110005	9
00100108	125	00130701	75	00244210	137	009018408	31	0100012	10	0110006	9
00100109	125	00130702	75	00246310	137	0090210401	29	0100013	10	0110007	9
00100110	126	00130703	75	00248410	137	0090210402	30	0100014	10	0110010	10
00100111	126	00130704	75	00264210	137	0090210403	30	0100015	10	0110012	10
00100112	126	00130801	75	00266310	137	0090210404	30	0100016	10	0110013	10
00100113	126	00130802	75	00268410	137	0090210405	29	0100017	19	0110014	10
00100114	126	00130803	75	00268420	138	0090210411	30	0100018	19	0110022	10
00100115	126	00130804	75	00330042	121	0090210412	29	0100019	19	0110028	20
00100116	126	00131001	75	00330063	121	009024201	29	0100020	20	0110029	20
00100117	126	00131002	75	00330084	121	009024202	30	0100021	20	0110030	20
00100118	126	00131003	75	00340042	121	009024203	29	0100022	20	0110031	19
00100119	126	00131004	75	00340063	121	009024204	30	0100023	10	0110032	19
00100120	127	00131201	75	00340084	121	009024205	30	0100024	19	0110033	19
00100121	127	00131202	75	00430042	121	009024211	30	0100025	20	0110034	19
00100122	127	00131203	75	00430063	121	009024212	29	0100026	10	0110034	19
00100123	127	00131204	75	00430084	121	009026301	29	01013000	140	0110035	19
00100124	127	00160301	75	00440042	121	009026302	30	01013021	140	0110035	19
00100125	127	00160302	75	00440063	121	009026303	30	01013035	140	0110036	19
00100126	127	00160303	75	00440084	121	009026304	29	01014000	140	0110036	19
00100127	127	00160304	75	00630042	121	009026305	30	01023000	140	0110037	19
00100128	127	00160401	75	00630063	121	009026311	30	01023021	140	0110037	20
00100129	127	00160402	75	00630084	121	009026312	29	01023035	140	0110038	20
00100130	127	00160403	75	00640042	121	009028401	29	01024000	140	0110039	20
00100131	127	00160404	75	00640063	121	009028402	30	01033000	140	0110040	20
00100132	127	00160501	75	00640084	121	009028403	29	01033021	140	0110041	20
00100133	127	00160502	75	0090110401	29	009028404	30	01033035	140	0110042	20
00100134	127	00160503	75	0090110402	30	009028405	30	01034000	140	0110043	10
00100135	127	00160504	75	0090110403	30	009028411	30	01043000	140	0110044	10
00100136	128	00160601	75	0090110404	30	009028412	29	01043021	140	0110045	10
00100137	128	00160602	75	0090110406	32	0090310401	29	01043035	140	0110046	19
00100138	128	00160603	75	0090110407	31	0090310402	29	01044000	140	0110047	19
00100139	128	00160604	75	0090110408	31	0090310403	30	01053000	140	0110048	20
00100140	128	00160701	75	0090110409	31	0090310404	30	01053021	140	0110049	20
00100142	128	00160702	75	009014202	30	009034201	29	01053035	140	0110050	20
00100143	128	00160703	75	009014203	29	009034202	29	01054000	140	0110056	19
00100144	128	00160704	75	009014205	30	009034203	30	01063000	140	0110057	19
00100145	128	00160801	75	009014206	32	009034204	30	01063021	140	0110058	19
00130301	75	00160802	75	009014207	31	009036301	29	01063035	140	0110059	19
00130302	75	00160803	75	009014208	31	009036302	29	01064000	140	0110060	19
00130303	75	00160804	75	009014209	31	009036303	30	01073000	140	0110061	19
00130304	75	00161001	75	009016303	29	009036304	30	01073021	140	0110062	19
00130401	75	00161002	75	009016304	30	009038401	29	01073035	140	0110063	19

Order no. and page Table

01103000T002450042

Order no	Page	Order no	Page	Order no	Page	Order no	Page	Order no	Page	Order no	Page
01103000	140	01154150	33	01239163	122	0140014	9	01539142	122	02141751	34
01103021	140	01154150	34	01239184	122	0140016	19	01539163	122	02141752	34
01103035	140	01161750	33	01240042	123	0140017	19	01539184	122	02141755	34
01104000	140	01161750	34	01240084	123	0140018	19	01630042	123	02151751	34
01131750	33	01161751	33	01250042	123	0140019	19	01630084	123	02151752	34
01131750	34	01161752	33	01250084	123	0140020	19	01633142	122	02151755	34
01131751	33	01161753	33	01261756	35	0140021	19	01633163	122	02161751	34
01131752	33	01161753	34	01262356	35	0140022	19	01633184	122	02161752	34
01131753	33	01161754	33	01262956	35	0140023	19	01639142	122	02161755	34
01131753	34	01161754	34	01316042	120	0140024	19	01639163	122	02191751	34
01131754	33	01161755	33	01316063	120	0140025	19	01639184	122	02191752	34
01131754	34	01162350	33	01316084	120	0140026	19	01640042	123	02191755	34
01131755	33	01162350	34	01322042	120	0140027	19	01640084	123	02230042	123
01132350	33	01162950	33	01322063	120	01416042	120	01650042	123	02230084	123
01132350	34	01162950	34	01322084	120	01416063	120	01650084	123	02231756	35
01132950	33	01163550	33	01328542	120	01416084	120	0180001	115	02240042	123
01132950	34	01163550	34	01328563	120	01422042	120	0180002	115	02240084	123
01133550	33	01164150	33	01328584	120	01422063	120	0180009	115	02250042	123
01133550	34	01164150	34	01330042	123	01422084	120	0180010	115	02250084	123
01134150	33	01191750	33	01330084	123	01428542	120	0180011	115	02261756	35
01134150	34	01191750	34	01331757	35	01428563	120	0180012	115	02330042	123
01141750	33	01191751	33	01331758	35	01428584	120	0200001	12	02330084	123
01141750	34	01191752	33	01332357	35	01430042	123	0200002	12	02331757	35
01141751	33	01191753	33	01332358	35	01430084	123	0200003	12	02331758	35
01141752	33	01191753	34	01332957	35	01433142	122	0200004	12	02332357	35
01141753	33	01191754	33	01332958	35	01433163	122	0200005	12	02332358	35
01141753	34	01191754	34	01333142	122	01433184	122	0200006	12	02332957	35
01141754	33	01191755	33	01333163	122	01439142	122	0200008	22	02332958	35
01141754	34	01192350	33	01333184	122	01439163	122	0200009	22	02333557	35
01141755	33	01192350	34	01333557	35	01439184	122	0200010	22	02333558	35
01142350	33	01192950	33	01333558	35	01440042	123	0200011	22	02340042	123
01142350	34	01192950	34	01339142	122	01440084	123	0200012	22	02340084	123
01142950	33	01193550	33	01339163	122	01450042	123	0200013	22	02350042	123
01142950	34	01193550	34	01339184	122	01450084	123	02013000	95	02350084	123
01143550	33	01194150	33	01340042	123	0150010	11	02023000	95	02361757	35
01143550	34	01194150	34	01340084	123	0150012	11	02033000	95	02361758	35
01144150	33	0120010	10	01350042	123	0150013	11	02043000	95	02362357	35
01144150	34	0120012	10	01350084	123	0150014	11	02053000	95	02362358	35
01151750	33	0120013	10	01361757	35	0150019	21	0210001	12	02362957	35
01151750	34	0120014	10	01361758	35	0150020	21	0210002	12	02362958	35
01151751	33	0120017	11	01362357	35	0150021	21	0210003	12	02363557	35
01151752	33	0120019	11	01362358	35	0150022	21	0210004	12	02363558	35
01151753	33	0120020	11	01362957	35	0150023	21	0210005	12	02430042	123
01151753	34	0120021	11	01362958	35	0150024	21	0210006	12	02430084	123
01151754	33	01230042	123	01363557	35	0150025	21	0210008	22	02431752	36
01151754	34	01230084	123	01363558	35	0150026	21	0210009	22	02431755	36
01151755	33	01231756	35	0140003	9	0150042	11	0210010	22	02432352	36
01152350	33	01232356	35	0140005	9	0150063	11	0210011	22	02432952	36
01152350	34	01232956	35	0140006	9	0150084	11	0210012	22	02433552	36
01152950	33	01233142	122	0140007	9	0150104	11	0210013	22	02434152	36
01152950	34	01233163	122	0140010	9	01533142	122	02131751	34	02440042	123
01153550	33	01233184	122	0140012	9	01533163	122	02131752	34	02440084	123
01153550	34	01239142	122	0140013	9	01533184	122	02131755	34	02450042	123

EK&EG PRO Series Subracks

EK&EG+ PRO Series Subracks

BEM&BEG PRO Series Subracks

Handle specification and accessories

Guide rail specification and accessories

19" CUR Series Subracks

SNCF Series Subracks

Shielded plug-in units Series Subracks

VERO Series Subracks

Protective Series Subracks

CASE Series Subracks

Type A Series Subracks

Integrated slide panel series subracks

IN-S Series Subracks

Subracks Accessories

Panel component

Order no. and page Table

Order no. and page Table

02450084TO09020303 100006TO1001044

	Order no	Page	Order no	Page	Order no	Page	Order no	Page	Order no	Page	Order no	Page
EK&EG PRO Series Subracks	02450084	123	03410042	131	03638042	132	04640042	124	06616711	118	1000012	135
EK&EG+ PRO Series Subracks	02461752	36	03410063	131	03638063	132	04640084	124	06622700	118	1000013	135
BEK&BEG PRO Series Subracks	02461755	36	03410084	131	03638084	132	04650042	124	06622701	118	1000066	72
Handle specification and accessories	02462352	36	03412042	131	03640042	124	04650084	124	06622710	118	1000066	72
Guiderrail specification and accessories	02462952	36	03412063	131	03640084	124	04724542	133	06622711	118	1000066	73
19" CUP Series Subracks	02463552	36	03412084	131	03650042	124	04724563	133	07010202	72	1000066	73
SNCF Series Subracks	02464152	36	03416042	131	03650084	124	04724584	133	07020202	73	1000066	157
Shielded plug-in units Series Subracks	02622021	141	03416063	131	03760042	129	04728542	133	07316700	117	1000066	170
VERO Series Subracks	02630042	123	03416084	131	03760063	129	04728563	133	07316701	117	1000066	171
Protective Series Subracks	02630084	123	03418042	131	03760084	129	04728584	133	07316710	117	1000066	172
Case Series Subracks	02640042	123	03418063	131	03762042	129	04734542	133	07316711	117	1000066	173
Type A Series Subracks	02640084	123	03418084	131	03762063	129	04734563	133	07322700	117	1000066	174
IN-S Series Subracks	02650042	123	03420042	131	03762084	129	04734584	133	07322701	117	1000066	175
Subracks Accessories	02650084	123	03420063	131	03766042	129	05010201	72	07322710	117	1000066	177
Panel component	0280001	115	03420084	131	03766063	129	05020201	73	07322711	117	1000066	178
Order no. and page Table	0280002	115	03422042	131	03766084	129	05316700	117	07616700	118	1000066	179
	0280003	115	03422063	131	03768042	129	05316701	117	07616701	118	1000066	180
	0280004	115	03422084	131	03768063	129	05316710	117	07616710	118	1000066	181
	0280005	115	03426042	131	03768084	129	05316711	117	07616711	118	1000066	182
	0280006	115	03426063	131	03770042	129	05322700	117	07622700	118	1001001	76
	03124542	142	03426084	131	03770063	129	05322701	117	07622701	118	1001002	76
	03124563	142	03428042	131	03770084	129	05322710	117	07622710	118	1001003	76
	03124584	142	03428063	131	03772042	129	05322711	117	07622711	118	1001004	76
	03128542	142	03428084	131	03772063	129	05616700	118	08010302	72	1001005	76
	03128563	142	03430042	124	03772084	129	05616701	118	08020302	73	1001006	76
	03128584	142	03430084	124	03776042	129	05616710	118	08316700	117	1001007	76
	03134542	142	03440042	124	03776063	129	05616711	118	08316701	117	1001008	76
	03134563	142	03440084	124	03776084	129	05622700	118	08316710	117	1001009	76
	03134584	142	03450042	124	03778042	129	05622701	118	08316711	117	1001010	76
	03230042	124	03450084	124	03778063	129	05622710	118	08322700	117	1001011	76
	03230084	124	03600042	132	03778084	129	05622711	118	08322701	117	1001012	76
	03240042	124	03600063	132	04010201	72	05724542	134	08322710	117	1001014	38
	03240084	124	03600084	132	04020201	73	05724563	134	08322711	117	1001014	40
	03250042	124	03602042	132	04230042	124	05724584	134	08616700	118	1001014	42
	03250084	124	03602063	132	04230084	124	05728542	134	08616701	118	1001014	46
	03300042	131	03602084	132	04240042	124	05728563	134	08616710	118	1001014	76
	03300063	131	03606042	132	04240084	124	05728584	134	08616711	118	1001015	79
	03300084	131	03606063	132	04250042	124	05734542	134	08622700	118	1001017	38
	03302042	131	03606084	132	04250084	124	05734563	134	08622701	118	1001017	40
	03302063	131	03608042	132	04330042	124	05734584	134	08622710	118	1001017	42
	03302084	131	03608063	132	04330084	124	06010202	72	08622711	118	1001017	46
	03306042	131	03608084	132	04340042	124	06020202	73	09010303	72	1001017	76
	03306063	131	03630042	124	04340084	124	06316700	117	09020303	73	1001018	79
	03306084	131	03630042	132	04350042	124	06316701	117	BQ002.002.006	40	1001019	79
	03308042	131	03630063	132	04350084	124	06316710	117	57	40	1001020	79
	03308063	131	03630084	124	04430042	124	06316711	117	100006	38	1001020	99
	03308084	131	03630084	132	04430084	124	06322700	117	100013	38	1001022	116
	03330042	124	03632042	132	04440042	124	06322701	117	110006	38	1001023	116
	03330084	124	03632063	132	04440084	124	06322710	117	110013	38	1001024	116
	03340042	124	03632084	132	04450042	124	06322711	117	1000007	136	1001025	81
	03340084	124	03636042	132	04450084	124	06616700	118	1000009	135	1001026	81
	03350042	124	03636063	132	04630042	124	06616701	118	1000010	135	1001027	81
	03350084	124	03636084	132	04630084	124	06616710	118	1000011	135	1001044	44

Order no. and page Table

1001044TO1004004

Order no	Page	Order no	Page	Order no	Page	Order no	Page	Order no	Page	Order no	Page	
1001044	70	1001134	76	1001243	82	1002032	53	1002326	56	1002417	61	EK&EG PRO Series Subracks
1001044	78	1001135	83	1001244	82	1002032	210	1002327	57	1002422	65	EK&EG+PRO Series Subracks
1001045	44	1001136	83	1001245	82	1002033	53	1002328	57	1002423	65	BEK&BEG PRO Series Subracks
1001045	70	1001137	83	1001246	82	1002033	207	1002329	62	1002424	66	Handle specification and accessories
1001045	78	1001138	83	1001247	82	1002033	210	1002330	62	1002425	66	Guide rail specification and accessories
1001045	153	1001147	80	1001248	82	1002034	54	1002331	57	1002426	66	19" CUR Series Subracks
1001046	78	1001151	83	1001259	81	1002034	216	1002332	57	1002427	66	SNCF Series Subracks
1001047	76	1001153	80	1001260	81	1002035	54	1002333	62	1002428	63	Shielded plug-in units Series Subracks
1001048	38	1001154	80	1001261	81	1002035	216	1002334	62	1002429	63	VERO Series Subracks
1001048	40	1001155	83	1001262	81	1002036	54	1002335	57	1002430	63	Protective Series Subracks
1001048	42	1001156	77	1001263	81	1002037	54	1002336	57	1002431	63	CASE Series Subracks
1001048	46	1001163	83	1001264	81	1002037	213	1002337	62	1002432	66	Type A Series Subracks
1001048	78	1001167	83	1001265	81	1002042	65	1002338	62	1002433	66	Integrated slide panel series subracks
1001049	38	1001168	83	1001266	81	1002043	65	1002362	71	1002434	66	IN-S Series Subracks
1001049	40	1001169	114	1002001	48	1002044	64	1002363	71	1002435	66	Subracks Accessories
1001049	42	1001171	83	1002001	160	1002045	64	1002367	50	1002440	64	Panel component
1001049	46	1001184	81	1002003	48	1002046	64	1002367	50	1002441	64	Order no. and page Table
1001049	78	1001186	78	1002003	158	1002047	64	1002368	50	1002442	64	
1001051	76	1001187	78	1002003	160	1002052	54	1002368	50	1002443	64	
1001052	76	1001209	81	1002006	48	1002053	54	1002369	50	1002484	44	
1001054	76	1001210	81	1002006	164	1002056	56	1002372	50	1002484	45	
1001058	85	1001211	81	1002007	48	1002056	219	1002373	50	1002485	44	
1001071	76	1001212	81	1002007	162	1002056	222	1002374	51	1002485	45	
1001076	85	1001213	81	1002007	164	1002056	222	1002375	51	1002508	46	
1001077	85	1001214	81	1002008	166	1002057	38	1002380	51	1002508	47	
1001086	77	1001215	81	1002008	168	1002057	39	1002381	51	1002509	46	
1001096	79	1001216	81	1002008	168	1002058	38	1002382	59	1002509	47	
1001099	80	1001217	82	1002012	51	1002058	39	1002383	59	1002511	49	
1001102	79	1001218	82	1002012	186	1002059	38	1002384	60	1002512	49	
1001103	80	1001219	82	1002013	51	1002059	39	1002385	60	1002513	55	
1001104	80	1001220	82	1002013	183	1002060	38	1002386	58	1002514	55	
1001107	81	1001221	82	1002013	186	1002060	39	1002387	58	1004004	155	
1001108	80	1001222	82	1002016	51	1002061	63	1002388	58	1004004	158	
1001111	81	1001223	82	1002016	192	1002062	63	1002389	58	1004004	158	
1001112	81	1001224	82	1002017	51	1002063	40	1002390	58	1004004	160	
1001113	79	1001225	82	1002017	189	1002063	41	1002391	58	1004004	160	
1001114	81	1001226	82	1002017	192	1002064	40	1002392	58	1004004	162	
1001115	81	1001227	82	1002018	52	1002064	41	1002393	58	1004004	162	
1001116	80	1001228	82	1002019	52	1002065	40	1002394	61	1004004	164	
1001117	99	1001229	82	1002020	52	1002065	41	1002395	61	1004004	164	
1001118	99	1001230	82	1002021	52	1002066	40	1002396	61	1004004	166	
1001119	80	1001231	82	1002022	198	1002066	41	1002397	61	1004004	168	
1001120	80	1001232	82	1002023	195	1002069	63	1002406	60	1004004	170	
1001121	80	1001233	82	1002023	198	1002074	63	1002407	60	1004004	170	
1001122	80	1001234	82	1002026	59	1002249	70	1002408	60	1004004	171	
1001123	80	1001235	82	1002027	59	1002250	70	1002409	60	1004004	171	
1001124	79	1001236	82	1002028	53	1002299	40	1002410	53	1004004	172	
1001125	79	1001237	82	1002029	53	1002299	41	1002411	53	1004004	172	
1001126	81	1001238	82	1002030	60	1002300	40	1002412	53	1004004	173	
1001127	81	1001239	82	1002030	204	1002300	41	1002413	53	1004004	173	
1001128	81	1001240	82	1002031	60	1002309	70	1002414	56	1004004	174	
1001131	79	1001241	82	1002031	201	1002310	40	1002415	56	1004004	175	
1001133	76	1001242	82	1002031	204	1002310	43	1002416	61	1004004	176	

Order no. and page Table

1004004TO1009009

Order no	Page	Order no	Page	Order no	Page	Order no	Page	Order no	Page	Order no	Page
1004004	177	1004011	166	1004023	183	1004279	155	1008015	162	1008038	173
1004004	177	1004011	168	1004023	186	1004310	155	1008015	164	1008038	174
1004004	178	1004011	170	1004023	189	1004333	155	1008015	166	1008038	175
1004004	178	1004011	171	1004023	192	1004336	156	1008015	168	1008038	177
1004004	179	1004011	172	1004023	195	1004337	156	1008015	170	1008038	178
1004004	179	1004011	173	1004023	198	1004339	155	1008015	171	1008038	179
1004004	180	1004011	176	1004023	201	1004352	155	1008015	172	1008038	180
1004004	180	1004011	177	1004023	204	1005001	43	1008015	173	1008038	181
1004004	181	1004011	178	1004023	207	1005001	153	1008015	174	1008038	182
1004004	182	1004011	179	1004023	210	1005001	157	1008015	175	1008038	183
1004004	183	1004011	180	1004023	213	1005001	170	1008015	177	1008038	186
1004004	186	1004011	183	1004023	216	1005001	171	1008015	178	1008038	189
1004004	189	1004011	189	1004023	219	1005001	174	1008015	179	1008038	192
1004004	192	1004011	195	1004023	222	1005001	175	1008015	180	1008038	195
1004004	195	1004011	201	1004025	155	1005001	176	1008015	181	1008038	198
1004004	198	1004011	207	1004026	155	1005001	177	1008015	182	1008038	201
1004004	201	1004011	213	1004028	155	1005001	178	1008015	183	1008038	204
1004004	204	1004011	219	1004034	155	1005001	181	1008015	186	1008038	207
1004004	207	1004012	156	1004040	156	1005001	182	1008015	189	1008038	210
1004004	210	1004014	99	1004041	156	1005002	43	1008015	192	1008038	213
1004004	213	1004014	156	1004042	156	1005002	72	1008015	195	1008038	216
1004004	216	1004015	156	1004057	10	1005002	72	1008015	198	1008038	219
1004004	219	1004015	170	1004057	19	1005002	73	1008015	201	1008038	222
1004004	222	1004015	171	1004057	20	1005002	73	1008015	204	1008040	149
1004005	155	1004015	174	1004095	155	1005002	157	1008015	207	1008041	149
1004005	170	1004015	175	1004096	155	1005002	170	1008015	210	1008042	149
1004005	170	1004015	177	1004185	155	1005002	171	1008015	213	1008045	34
1004005	171	1004015	178	1004226	157	1005002	172	1008015	216	1008045	36
1004005	171	1004015	181	1004227	157	1005002	173	1008015	219	1008045	150
1004005	172	1004015	182	1004229	33	1005002	174	1008015	222	1008046	149
1004005	173	1004020	155	1004229	34	1005002	175	1008016	152	1008047	149
1004005	174	1004023	137	1004229	35	1005002	177	1008017	152	1008048	147
1004005	175	1004023	138	1004229	36	1005002	178	1008033	149	1008049	149
1004005	177	1004023	155	1004230	156	1005002	179	1008034	149	1008050	150
1004005	177	1004023	158	1004231	156	1005002	180	1008037	34	1008051	150
1004005	178	1004023	160	1004240	156	1005002	181	1008037	35	1008052	150
1004005	178	1004023	162	1004241	156	1005002	182	1008037	36	1008053	34
1004005	179	1004023	164	1004242	156	1008001	152	1008037	139	1008054	34
1004005	180	1004023	166	1004245	155	1008002	152	1008037	150	1009001	40
1004005	181	1004023	168	1004251	156	1008003	152	1008038	34	1009001	44
1004005	182	1004023	170	1004260	170	1008007	33	1008038	35	1009001	46
1004006	155	1004023	171	1004260	171	1008007	152	1008038	37	1009002	40
1004008	43	1004023	172	1004260	172	1008008	33	1008038	139	1009002	153
1004008	155	1004023	173	1004260	173	1008008	152	1008038	150	1009003	40
1004009	50	1004023	174	1004260	177	1008009	33	1008038	158	1009004	40
1004009	168	1004023	175	1004260	178	1008009	152	1008038	160	1009004	153
1004011	43	1004023	176	1004260	179	1008010	150	1008038	162	1009005	146
1004011	50	1004023	177	1004260	180	1008011	147	1008038	164	1009006	146
1004011	72	1004023	178	1004262	156	1008013	147	1008038	166	1009008	146
1004011	73	1004023	179	1004266	156	1008014	147	1008038	168	1009009	38
1004011	156	1004023	180	1004272	156	1008015	152	1008038	170	1009009	40
1004011	158	1004023	181	1004273	156	1008015	158	1008038	171	1009009	44
1004011	162	1004023	182	1004277	156	1008015	160	1008038	172	1009009	46

Order no. and page Table

1009010TO13423451

Order no	Page	Order no	Page	Order no	Page	Order no	Page	Order no	Page	Order no	Page
1009010	68	1014002	171	1014003	204	1015022	114	1030102	74	12316701	117
1009010	88	1014002	172	1014003	207	1015024	114	1030103	74	12316710	117
1009010	183	1014002	173	1014003	210	1015024	114	1030104	74	12316711	117
1009010	186	1014002	174	1014003	213	1015026	114	1030105	74	12322700	117
1009010	189	1014002	175	1014003	216	1023004	137	1030106	74	12322701	117
1009010	192	1014002	176	1014003	219	1025010	48	1031020	68	12322710	117
1009010	195	1014002	177	1014003	222	1025010	50	1031020	69	12322711	117
1009010	198	1014002	178	1015001	170	1025010	74	1031023	69	12616700	118
1009010	201	1014002	179	1015001	171	1030030	135	1033007	154	12616701	118
1009010	204	1014002	180	1015001	172	1030042	135	1033008	154	12616710	118
1009010	207	1014002	181	1015001	173	1030043	135	1033009	154	12616711	118
1009010	210	1014002	182	1015001	176	1030044	135	1033010	154	12622700	118
1009010	213	1014002	183	1015001	177	1030045	135	1037001	44	12622701	118
1009010	216	1014002	186	1015001	178	1030046	135	1037001	46	12622710	118
1009010	219	1014002	189	1015001	179	1030047	135	1037001	144	12622711	118
1009010	222	1014002	192	1015001	180	1030048	136	1037002	144	13010404	72
1009011	68	1014002	195	1015004	50	1030050	136	1037005	143	13020404	73
1009011	88	1014002	198	1015004	158	1030051	136	1037011	44	13300042	131
1009014	153	1014002	201	1015004	162	1030052	136	1037011	46	13300063	131
1009015	153	1014002	204	1015004	166	1030054	136	1037011	144	13300084	131
1009016	153	1014002	207	1015004	183	1030055	136	1037012	144	13302042	131
1010001	87	1014002	210	1015004	189	1030056	136	1048001	37	13302063	131
1010001	99	1014002	213	1015004	195	1030057	136	1048002	37	13302084	131
1010003	99	1014002	216	1015004	201	1030058	136	10010303	72	13306042	131
1010003	147	1014002	219	1015004	207	1030059	136	10017070	72	13306063	131
1010004	147	1014002	222	1015004	213	1030064	136	10020303	73	13306084	131
1010010	86	1014003	157	1015004	219	1030069	97	10027070	73	13308042	131
1011003	145	1014003	158	1015005	170	1030070	97	10290002	137	13308063	131
1011005	145	1014003	160	1015005	171	1030071	97	10290008	138	13308084	131
1011010	145	1014003	162	1015005	172	1030072	97	10290009	138	13410042	131
1011012	145	1014003	164	1015005	173	1030073	97	10290010	138	13410063	131
1011013	145	1014003	166	1015005	176	1030075	74	10290011	137	13410084	131
1011013	148	1014003	168	1015005	177	1030076	74	10316700	117	13412042	131
1011017	145	1014003	170	1015005	178	1030077	74	10316701	117	13412063	131
1011019	145	1014003	171	1015005	179	1030078	74	10316710	117	13412084	131
1011020	145	1014003	172	1015005	180	1030083	74	10316711	117	13416042	131
1011042	148	1014003	173	1015007	145	1030085	74	10322700	117	13416063	131
1011116	145	1014003	174	1015007	157	1030086	74	10322701	117	13416084	131
1012001	146	1014003	175	1015015	171	1030087	74	10322710	117	13418042	131
1012002	146	1014003	176	1015015	173	1030088	74	10322711	117	13418063	131
1013001	147	1014003	177	1015015	178	1030089	74	10616700	118	13418084	131
1013006	151	1014003	178	1015015	180	1030090	74	10616701	118	13420042	131
1013007	148	1014003	179	1015016	170	1030091	74	10616710	118	13420063	131
1013008	148	1014003	180	1015016	171	1030092	74	10616711	118	13420084	131
1013009	148	1014003	181	1015016	174	1030093	74	10622700	118	13422042	131
1014002	157	1014003	182	1015016	175	1030094	74	10622701	118	13422063	131
1014002	158	1014003	183	1015016	176	1030095	74	10622710	118	13422084	131
1014002	160	1014003	186	1015016	177	1030096	74	10622711	118	13422450	3
1014002	162	1014003	189	1015016	178	1030097	74	11010303	72	13422451	3
1014002	164	1014003	192	1015016	181	1030098	74	11020303	73	13422850	3
1014002	166	1014003	195	1015016	182	1030099	74	12010404	72	13422851	3
1014002	168	1014003	198	1015018	114	1030100	74	12020404	73	13423450	3
1014002	170	1014003	201	1015019	114	1030101	74	12316700	117	13423451	3

EK&EG PRO Series Subracks
 EK&EG+ PRO Series Subracks
 BEK&BEG PRO Series Subracks
 Handle specification and accessories
 Guide-rail specification and accessories
 19" CUR Series Subracks
 SNCF Series Subracks
 Shielded plug-in units Series Subracks
 VERO Series Subracks
 Protective Series Subracks
 CASE Series Subracks
 Type A Series Subracks
 Integrated side panel series subracks
 IN-S Series Subracks
 Subracks Accessories
 Panel component
 Order no. and page table

Order no. and page Table

13426042TO28622711

Order no	Page	Order no	Page	Order no	Page	Order no	Page	Order no	Page	Order no	Page
13426042	131	13772084	129	16422450	4	23302084	131	23632063	132	24632451	5
13426063	131	13776042	129	16422451	4	23306042	131	23632084	132	24632850	5
13426084	131	13776063	129	16422850	4	23306063	131	23632450	5	24632851	5
13428042	131	13776084	129	16422851	4	23306084	131	23632451	5	24633450	5
13428063	131	13778042	129	16423450	4	23308042	131	23632850	5	24633451	5
13428084	131	13778063	129	16423451	4	23308063	131	23632851	5	24842450	5
13600042	132	13778084	129	16632450	4	23308084	131	23633450	5	24842451	5
13600063	132	13842450	3	16632451	4	23410042	131	23633451	5	24842850	5
13600084	132	13842451	3	16632850	4	23410063	131	23636042	132	24842851	5
13602042	132	13842850	3	16632851	4	23410084	131	23636063	132	24843450	5
13602063	132	13842851	3	16633450	4	23412042	131	23636084	132	24843451	5
13602084	132	13843450	3	16633451	4	23412063	131	23638042	132	25010808	72
13606042	132	13843451	3	16842450	4	23412084	131	23638063	132	25020808	73
13606063	132	14010505	72	16842451	4	23416042	131	23638084	132	26010909	72
13606084	132	14020505	73	16842850	4	23416063	131	23760042	129	26020909	73
13608042	132	14316700	117	16842851	4	23416084	131	23760063	129	26422450	6
13608063	132	14316701	117	16843450	4	23418042	131	23760084	129	26422451	6
13608084	132	14316710	117	16843451	4	23418063	131	23762042	129	26422850	6
13630042	132	14316711	117	17010606	72	23418084	131	23762063	129	26422851	6
13630063	132	14322700	117	17020606	73	23420042	131	23762084	129	26423450	6
13630084	132	14322701	117	18010606	72	23420063	131	23766042	129	26423451	6
13632042	132	14322710	117	18020606	73	23420084	131	23766063	129	26632450	6
13632063	132	14322711	117	19010606	72	23422042	131	23766084	129	26632451	6
13632084	132	14422450	3	19020606	73	23422063	131	23768042	129	26632850	6
13632450	3	14422451	3	20010707	72	23422084	131	23768063	129	26632851	6
13632451	3	14422850	3	20020707	73	23422450	5	23768084	129	26633450	6
13632850	3	14422851	3	21010707	72	23422451	5	23770042	129	26633451	6
13632851	3	14423450	3	21020707	73	23422850	5	23770063	129	26842450	6
13633450	3	14423451	3	21316700	117	23422851	5	23770084	129	26842451	6
13633451	3	14616700	118	21316701	117	23423450	5	23772042	129	26842850	6
13636042	132	14616701	118	21316710	117	23423451	5	23772063	129	26842851	6
13636063	132	14616710	118	21316711	117	23426042	131	23772084	129	26843450	6
13636084	132	14616711	118	21322700	117	23426063	131	23776042	129	26843451	6
13638042	132	14622700	118	21322701	117	23426084	131	23776063	129	27010909	72
13638063	132	14622701	118	21322710	117	23428042	131	23776084	129	27020909	73
13638084	132	14622710	118	21322711	117	23428063	131	23778042	129	28011010	72
13760042	129	14622711	118	21616700	118	23428084	131	23778063	129	28021010	73
13760063	129	14632450	3	21616701	118	23600042	132	23778084	129	28316700	117
13760084	129	14632451	3	21616710	118	23600063	132	23842450	5	28316701	117
13762042	129	14632850	3	21616711	118	23600084	132	23842451	5	28316710	117
13762063	129	14632851	3	21622700	118	23602042	132	23842850	5	28316711	117
13762084	129	14633450	3	21622701	118	23602063	132	23842851	5	28322700	117
13766042	129	14633451	3	21622710	118	23602084	132	23843450	5	28322701	117
13766063	129	14842450	3	21622711	118	23606042	132	23843451	5	28322710	117
13766084	129	14842451	3	22010707	72	23606063	132	24010808	72	28322711	117
13768042	129	14842850	3	22020707	73	23606084	132	24020808	73	28616700	118
13768063	129	14842851	3	23010808	72	23608042	132	24422450	5	28616701	118
13768084	129	14843450	3	23020808	73	23608063	132	24422451	5	28616710	118
13770042	129	14843451	3	23300042	131	23608084	132	24422850	5	28616711	118
13770063	129	15010505	72	23300063	131	23630042	132	24422851	5	28622700	118
13770084	129	15020505	73	23300084	131	23630063	132	24423450	5	28622701	118
13772042	129	16010505	72	23302042	131	23630084	132	24423451	5	28622710	118
13772063	129	16020505	73	23302063	131	23632042	132	24632450	5	28622711	118

Order no. and page Table

30401011TO33422042

Order no	Page	Order no	Page	Order no	Page	Order no	Page	Order no	Page	Order no	Page
30401011	172	30602032	181	30802021	179	31016731	106	31242730	111	32204202	115
30401012	174	30602041	179	30802022	181	31022700	103	31242731	110	32816700	103
30401021	172	30602042	181	30802031	179	31022701	102	31246730	111	32816701	102
30401022	174	30616700	103	30802032	181	31022710	103	31246731	110	32816710	103
30401031	172	30616701	102	30802041	179	31022711	102	31416700	103	32816711	102
30401032	174	30616710	103	30802042	181	31022720	107	31416701	102	32816720	107
30401041	172	30616711	102	30816700	103	31022721	106	31416710	103	32816721	106
30401042	174	30622700	103	30816701	102	31022730	107	31416711	102	32816730	107
30402011	179	30622701	102	30816710	103	31022731	106	31416720	107	32816731	106
30402012	181	30622710	103	30816711	102	31032730	111	31416721	106	32822700	103
30402021	179	30622711	102	30816720	107	31032731	110	31416730	107	32822701	102
30402022	181	30701011	172	30816721	106	31036730	111	31416731	106	32822710	103
30402031	179	30701012	174	30816730	107	31036731	110	31422700	103	32822711	102
30402032	181	30701021	172	30816731	106	31042730	111	31422701	102	32822720	107
30402041	179	30701022	174	30822700	103	31042731	110	31422710	103	32822721	106
30402042	181	30701031	172	30822701	102	31046730	111	31422711	102	32822730	107
30501011	172	30701032	174	30822710	103	31046731	110	31422720	107	32822731	106
30501012	174	30701041	172	30822711	102	31201011	172	31422721	106	32832730	111
30501021	172	30701042	174	30822720	107	31201012	174	31422730	107	32832731	110
30501022	174	30702011	179	30822721	106	31201021	172	31422731	106	32836730	111
30501031	172	30702012	181	30822730	107	31201022	174	31432730	111	32836731	110
30501032	174	30702021	179	30822731	106	31201031	172	31432731	110	32842730	111
30501041	172	30702022	181	30832730	111	31201032	174	31436730	111	32842731	110
30501042	174	30702031	179	30832731	110	31201041	172	31436731	110	32846730	111
30502011	179	30702032	181	30836730	111	31201042	174	31442730	111	32846731	110
30502012	181	30702041	179	30836731	110	31202011	179	31442731	110	33300042	131
30502021	179	30702042	181	30842730	111	31202012	181	31446730	111	33300063	131
30502022	181	30716700	103	30842731	110	31202021	179	31446731	110	33300084	131
30502031	179	30716701	102	30846730	111	31202022	181	31604202	115	33302042	131
30502032	181	30716710	103	30846731	110	31202031	179	32116700	103	33302063	131
30502041	179	30716711	102	31001011	172	31202032	181	32116701	102	33302084	131
30502042	181	30716720	107	31001012	174	31202041	179	32116710	103	33306042	131
30516700	103	30716721	106	31001021	172	31202042	181	32116711	102	33306063	131
30516701	102	30716730	107	31001022	174	31216700	103	32116720	107	33306084	131
30516710	103	30716731	106	31001031	172	31216701	102	32116721	106	33308042	131
30516711	102	30722700	103	31001032	174	31216710	103	32116730	107	33308063	131
30522700	103	30722701	102	31001041	172	31216711	102	32116731	106	33308084	131
30522701	102	30722710	103	31001042	174	31216720	107	32122700	103	33410042	131
30522710	103	30722711	102	31002011	179	31216721	106	32122701	102	33410063	131
30522711	102	30722720	107	31002012	181	31216730	107	32122710	103	33410084	131
30601011	172	30722721	106	31002021	179	31216731	106	32122711	102	33412042	131
30601012	174	30722730	107	31002022	181	31222700	103	32122720	107	33412063	131
30601021	172	30722731	106	31002031	179	31222701	102	32122721	106	33412084	131
30601022	174	30801011	172	31002032	181	31222710	103	32122730	107	33416042	131
30601031	172	30801012	174	31002041	179	31222711	102	32122731	106	33416063	131
30601032	174	30801021	172	31002042	181	31222720	107	32132730	111	33416084	131
30601041	172	30801022	174	31016700	103	31222721	106	32132731	110	33418042	131
30601042	174	30801031	172	31016701	102	31222730	107	32136730	111	33418063	131
30602011	179	30801032	174	31016710	103	31222731	106	32136731	110	33418084	131
30602012	181	30801041	172	31016711	102	31232730	111	32142730	111	33420042	131
30602021	179	30801042	174	31016720	107	31232731	110	32142731	110	33420063	131
30602022	181	30802011	179	31016721	106	31236730	111	32146730	111	33420084	131
30602031	179	30802012	181	31016730	107	31236731	110	32146731	110	33422042	131

EK&EG PRO Series Subbracks
 EK&EG+ PRO Series Subbracks
 BEK&BEG PRO Series Subbracks
 Handle specification and accessories
 Guide rail specification and accessories
 19" CUR Series Subbracks
 SNCF Series Subbracks
 Shielded plug-in units Series Subbracks
 VERO Series Subbracks
 Protective Series Subbracks
 CASE Series Subbracks
 Type A Series Subbracks
 Integrated side panel series subbracks
 IN-S Series Subbracks
 Subbracks Accessories
 Panel component
 Order no. and page Table

Order no. and page Table

33422063TO60616701

Order no	Page	Order no	Page	Order no	Page	Order no	Page	Order no	Page	Order no	Page
33422063	131	33768042	129	34632850	15	43632451	17	53632350	25	60401032	175
33422084	131	33768063	129	34632851	15	43632850	17	53632351	25	60401041	173
33422450	15	33768084	129	34633450	15	43632851	17	53632950	25	60401042	175
33422451	15	33770042	129	34633451	15	43633450	17	53632951	25	60402011	180
33422850	15	33770063	129	34842450	15	43633451	17	53633550	25	60402012	182
33422851	15	33770084	129	34842451	15	43842450	17	53633551	25	60402021	180
33423450	15	33772042	129	34842850	15	43842451	17	53842350	25	60402022	182
33423451	15	33772063	129	34842851	15	43842850	17	53842351	25	60402031	180
33426042	131	33772084	129	34843450	15	43842851	17	53842950	25	60402032	182
33426063	131	33776042	129	34843451	15	43843450	17	53842951	25	60402041	180
33426084	131	33776063	129	36422450	16	43843451	17	53843550	25	60402042	182
33428042	131	33776084	129	36422451	16	44422450	17	53843551	25	60501011	173
33428063	131	33778042	129	36422850	16	44422451	17	54422350	25	60501012	175
33428084	131	33778063	129	36422851	16	44422850	17	54422351	25	60501021	173
33600042	132	33778084	129	36423450	16	44422851	17	54422950	25	60501022	175
33600063	132	33842450	15	36423451	16	44423450	17	54422951	25	60501031	173
33600084	132	33842451	15	36632450	16	44423451	17	54423550	25	60501032	175
33602042	132	33842850	15	36632451	16	44632450	17	54423551	25	60501041	173
33602063	132	33842851	15	36632850	16	44632451	17	54632350	25	60501042	175
33602084	132	33843450	15	36632851	16	44632850	17	54632351	25	60502011	180
33606042	132	33843451	15	36633450	16	44632851	17	54632950	25	60502012	182
33606063	132	34216700	103	36633451	16	44633450	17	54632951	25	60502021	180
33606084	132	34216701	102	36842450	16	44633451	17	54633550	25	60502022	182
33608042	132	34216710	103	36842451	16	44842450	17	54633551	25	60502031	180
33608063	132	34216711	102	36842850	16	44842451	17	54842350	25	60502032	182
33608084	132	34216720	107	36842851	16	44842850	17	54842351	25	60502041	180
33630042	132	34216721	106	36843450	16	44842851	17	54842950	25	60502042	182
33630063	132	34216730	107	36843451	16	44843450	17	54842951	25	60516700	105
33630084	132	34216731	106	41604212	115	44843451	17	54843550	25	60516701	104
33632042	132	34222700	103	42204213	115	46422450	18	54843551	25	60516710	105
33632063	132	34222701	102	42316700	117	46422451	18	56422350	26	60516711	104
33632084	132	34222710	103	42316701	117	46422850	18	56422351	26	60522700	105
33632450	15	34222711	102	42316710	117	46422851	18	56422950	26	60522701	104
33632451	15	34222720	107	42316711	117	46423450	18	56422951	26	60522710	105
33632850	15	34222721	106	42322700	117	46423451	18	56423550	26	60522711	104
33632851	15	34222730	107	42322701	117	46632450	18	56423551	26	60601011	173
33633450	15	34222731	106	42322710	117	46632451	18	56632350	26	60601012	175
33633451	15	34232730	111	42322711	117	46632850	18	56632351	26	60601021	173
33636042	132	34232731	110	42616700	118	46632851	18	56632950	26	60601022	175
33636063	132	34236730	111	42616701	118	46633450	18	56632951	26	60601031	173
33636084	132	34236731	110	42616710	118	46633451	18	56633550	26	60601032	175
33638042	132	34242730	111	42616711	118	46842450	18	56633551	26	60601041	173
33638063	132	34242731	110	42622700	118	46842451	18	56842350	26	60601042	175
33638084	132	34246730	111	42622701	118	46842850	18	56842351	26	60602011	180
33760042	129	34246731	110	42622710	118	46842851	18	56842950	26	60602012	182
33760063	129	34422450	15	42622711	118	46843450	18	56842951	26	60602021	180
33760084	129	34422451	15	43422450	17	46843451	18	56843550	26	60602022	182
33762042	129	34422850	15	43422451	17	53422350	25	56843551	26	60602031	180
33762063	129	34422851	15	43422850	17	53422351	25	60401011	173	60602032	182
33762084	129	34423450	15	43422851	17	53422950	25	60401012	175	60602041	180
33766042	129	34423451	15	43423450	17	53422951	25	60401021	173	60602042	182
33766063	129	34632450	15	43423451	17	53423550	25	60401022	175	60616700	105
33766084	129	34632451	15	43632450	17	53423551	25	60401031	173	60616701	104

Order no. and page Table

60616710TO72842201

Order no	Page	Order no	Page	Order no	Page	Order no	Page	Order no	Page	Order no	Page	
60616710	105	60802042	182	61022720	109	61416701	104	62816720	109	64222731	108	EK&EG PRO Series Subtracks
60616711	104	60816700	105	61022721	108	61416710	105	62816721	108	64232730	113	EK&EG+ PRO Series Subtracks
60622700	105	60816701	104	61022730	109	61416711	104	62816730	109	64232731	112	BEK&BEG PRO Series Subtracks
60622701	104	60816710	105	61022731	108	61416720	109	62816731	108	64236730	113	BEK&BEG PRO Series Subtracks
60622710	105	60816711	104	61032730	113	61416721	108	62822700	105	64236731	112	Handle specification and accessories
60622711	104	60816720	109	61032731	112	61416730	109	62822701	104	64242730	113	Handle specification and accessories
60701011	173	60816721	108	61036730	113	61416731	108	62822710	105	64242731	112	Handle specification and accessories
60701012	175	60816730	109	61036731	112	61422700	105	62822711	104	64246730	113	Handle specification and accessories
60701021	173	60816731	108	61042730	113	61422701	104	62822720	109	64246731	112	Guide rail specification and accessories
60701022	175	60822700	105	61042731	112	61422710	105	62822721	108	64422350	27	Guide rail specification and accessories
60701031	173	60822701	104	61046730	113	61422711	104	62822730	109	64422351	27	Guide rail specification and accessories
60701032	175	60822710	105	61046731	112	61422720	109	62822731	108	64422950	27	Guide rail specification and accessories
60701041	173	60822711	104	61201011	173	61422721	108	62832730	113	64422951	27	19" CUR Series Subtracks
60701042	175	60822720	109	61201012	175	61422730	109	62832731	112	64423550	27	19" CUR Series Subtracks
60702011	180	60822721	108	61201021	173	61422731	108	62836730	113	64423551	27	19" CUR Series Subtracks
60702012	182	60822730	109	61201022	175	61432730	113	62836731	112	64632350	27	19" CUR Series Subtracks
60702021	180	60822731	108	61201031	173	61432731	112	62842730	113	64632351	27	SNCF Series Subtracks
60702022	182	60832730	113	61201032	175	61436730	113	62842731	112	64632950	27	SNCF Series Subtracks
60702031	180	60832731	112	61201041	173	61436731	112	62846730	113	64632951	27	Shielded plug-in units Series Subtracks
60702032	182	60836730	113	61201042	175	61442730	113	62846731	112	64633550	27	Shielded plug-in units Series Subtracks
60702041	180	60836731	112	61202011	180	61442731	112	63422350	27	64633551	27	Shielded plug-in units Series Subtracks
60702042	182	60842730	113	61202012	182	61446730	113	63422351	27	64842350	27	Shielded plug-in units Series Subtracks
60716700	105	60842731	112	61202021	180	61446731	112	63422950	27	64842351	27	VERO Series Subtracks
60716701	104	60846730	113	61202022	182	61604212	115	63422951	27	64842950	27	VERO Series Subtracks
60716710	105	60846731	112	61202031	180	62116700	105	63423550	27	64842951	27	Protective Series Subtracks
60716711	104	61001011	173	61202032	182	62116701	104	63423551	27	64843550	27	Protective Series Subtracks
60716720	109	61001012	175	61202041	180	62116710	105	63632350	27	64843551	27	Protective Series Subtracks
60716721	108	61001021	173	61202042	182	62116711	104	63632351	27	66422350	28	Protective Series Subtracks
60716730	109	61001022	175	61216700	105	62116720	109	63632950	27	66422351	28	Protective Series Subtracks
60716731	108	61001031	173	61216701	104	62116721	108	63632951	27	66422950	28	CASE Series Subtracks
60722700	105	61001032	175	61216710	105	62116730	109	63633550	27	66422951	28	CASE Series Subtracks
60722701	104	61001041	173	61216711	104	62116731	108	63633551	27	66423550	28	CASE Series Subtracks
60722710	105	61001042	175	61216720	109	62122700	105	63842350	27	66423551	28	Type A Series Subtracks
60722711	104	61002011	180	61216721	108	62122701	104	63842351	27	66632350	28	Type A Series Subtracks
60722720	109	61002012	182	61216730	109	62122710	105	63842950	27	66632351	28	Type A Series Subtracks
60722721	108	61002021	180	61216731	108	62122711	104	63842951	27	66632950	28	Type A Series Subtracks
60722730	109	61002022	182	61222700	105	62122720	109	63843550	27	66632951	28	Integrated slide panels series subtracks
60722731	108	61002031	180	61222701	104	62122721	108	63843551	27	66633550	28	Integrated slide panels series subtracks
60801011	173	61002032	182	61222710	105	62122730	109	64216700	105	66633551	28	IN-S Series Subtracks
60801012	175	61002041	180	61222711	104	62122731	108	64216701	104	66842350	28	IN-S Series Subtracks
60801021	173	61002042	182	61222720	109	62132730	113	64216710	105	66842351	28	IN-S Series Subtracks
60801022	175	61016700	105	61222721	108	62132731	112	64216711	104	66842950	28	IN-S Series Subtracks
60801031	173	61016701	104	61222730	109	62136730	113	64216720	109	66842951	28	Subtracks Accessories
60801032	175	61016710	105	61222731	108	62136731	112	64216721	108	66843550	28	Subtracks Accessories
60801041	173	61016711	104	61232730	113	62142730	113	64216730	109	66843551	28	Subtracks Accessories
60801042	175	61016720	109	61232731	112	62142731	112	64216731	108	71842200	91	Panel component
60802011	180	61016721	108	61236730	113	62146730	113	64222700	105	71842201	91	Panel component
60802012	182	61016730	109	61236731	112	62146731	112	64222701	104	71842800	91	Panel component
60802021	180	61016731	108	61242730	113	62204213	115	64222710	105	71842801	91	Panel component
60802022	182	61022700	105	61242731	112	62816700	105	64222711	104	71843400	91	Order no. and page Table
60802031	180	61022701	104	61246730	113	62816701	104	64222720	109	71843401	91	Order no. and page Table
60802032	182	61022710	105	61246731	112	62816710	105	64222721	108	72842200	91	Order no. and page Table
60802041	180	61022711	104	61416700	105	62816711	104	64222730	109	72842201	91	Order no. and page Table

EK&EG PRO Series Subtracks

EK&EG+ PRO Series Subtracks

BEK&BEG PRO Series Subtracks

Handle specification and accessories

Guide rail specification and accessories

19" CUR Series Subtracks

SNCF Series Subtracks

Shielded plug-in units Series Subtracks

VERO Series Subtracks

Protective Series Subtracks

CASE Series Subtracks

Type A Series Subtracks

Integrated slide panels series subtracks

IN-S Series Subtracks

Subtracks Accessories

Panel component

Order no. and page Table

Order no. and page Table

72842800TO160502240

Order no	Page	Order no	Page	Order no	Page	Order no	Page	Order no	Page	Order no	Page
72842800	91	130410210	191	130600700	208	130710610	203	131002130	159	131210810	215
72842801	91	130410400	197	130600710	208	130710700	209	131002140	159	131214630	221
72843400	91	130410410	197	130600800	214	130710710	209	131002230	163	131214640	221
72843401	91	130410600	203	130600810	214	130710800	215	131002240	163	160400100	187
73842800	91	130410610	203	130602130	159	130710810	215	131002330	167	160400110	187
73842801	91	130410700	209	130602140	159	130714630	221	131002340	167	160400200	193
73843400	91	130410710	209	130602230	163	130714640	221	131004630	220	160400210	193
73843401	91	130410800	215	130602240	163	130800100	184	131004640	220	160400400	199
73844000	91	130410810	215	130602330	167	130800110	184	131010100	185	160400410	199
73844001	91	130414630	221	130602340	167	130800200	190	131010110	185	160400600	205
73844600	91	130414640	221	130604630	220	130800210	190	131010200	191	160400610	205
73844601	91	130500100	184	130604640	220	130800400	196	131010210	191	160400700	211
74842800	91	130500110	184	130610100	185	130800410	196	131010400	197	160400710	211
74842801	91	130500200	190	130610110	185	130800600	202	131010410	197	160400800	217
74843400	91	130500210	190	130610200	191	130800610	202	131010600	203	160400810	217
74843401	91	130500400	196	130610210	191	130800700	208	131010610	203	160402130	161
74844000	91	130500410	196	130610400	197	130800710	208	131010700	209	160402140	161
74844001	91	130500600	202	130610410	197	130800800	214	131010710	209	160402230	165
74844600	91	130500610	202	130610600	203	130800810	214	131010800	215	160402240	165
74844601	91	130500700	208	130610610	203	130802130	159	131010810	215	160402330	169
75844600	91	130500710	208	130610700	209	130802140	159	131014630	221	160402340	169
75844601	91	130500800	214	130610710	209	130802230	163	131014640	221	160404630	223
83842353	100	130500810	214	130610800	215	130802240	163	131200100	184	160404640	223
83842354	101	130502130	159	130610810	215	130802330	167	131200110	184	160410100	188
83843201	98	130502140	159	130614630	221	130802340	167	131200200	190	160410110	188
83843202	99	130502230	163	130614640	221	130804640	220	131200210	190	160410200	194
86842353	100	130502240	163	130700100	184	130806430	220	131200400	196	160410210	194
86842354	101	130502330	167	130700110	184	130810100	185	131200410	196	160410400	200
86843201	98	130502340	167	130700200	190	130810110	185	131200600	202	160410410	200
86843202	99	130504630	220	130700210	190	130810200	191	131200610	202	160410600	206
130400100	184	130504640	220	130700400	196	130810210	191	131200700	208	160410610	206
130400110	184	130510100	185	130700410	196	130810400	197	131200710	208	160410700	212
130400200	190	130510110	185	130700600	202	130810410	197	131200800	214	160410710	212
130400210	190	130510200	191	130700610	202	130810600	203	131200810	214	160410800	218
130400400	196	130510210	191	130700700	208	130810610	203	131202130	159	160410810	218
130400410	196	130510400	197	130700710	208	130810700	209	131202140	159	160414630	224
130400600	202	130510410	197	130700800	214	130810710	209	131202230	163	160414640	224
130400610	202	130510600	203	130700810	214	130810800	215	131202240	163	160500100	187
130400700	208	130510610	203	130702130	159	130810810	215	131202330	167	160500110	187
130400710	208	130510700	209	130702140	159	130814630	221	131202340	167	160500200	193
130400800	214	130510710	209	130702230	163	130814640	221	131204630	220	160500210	193
130400810	214	130510800	215	130702240	163	131000100	184	131204640	220	160500400	199
130402130	159	130510810	215	130702330	167	131000110	184	131210100	185	160500410	199
130402140	159	130514630	221	130702340	167	131000200	190	131210110	185	160500600	205
130402230	163	130514640	221	130704630	220	131000210	190	131210200	191	160500610	205
130402240	163	130600100	184	130704640	220	131000400	196	131210210	191	160500700	211
130402330	167	130600110	184	130710100	185	131000410	196	131210400	197	160500710	211
130402340	167	130600200	190	130710110	185	131000600	202	131210410	197	160500800	217
130404630	220	130600210	190	130710200	191	131000610	202	131210600	203	160500810	217
130404640	220	130600400	196	130710210	191	131000700	208	131210610	203	160502130	161
130410100	185	130600410	196	130710400	197	131000710	208	131210700	209	160502140	161
130410110	185	130600600	202	130710410	197	131000800	214	131210710	209	160502230	165
130410200	191	130600610	202	130710600	203	131000810	214	131210800	215	160502240	165

Order no. and page Table

160502330TO230710610

Order no	Page	Order no	Page	Order no	Page	Order no	Page	Order no	Page	Order no	Page
160502330	169	160700110	187	160810100	188	161200410	199	230410210	191	230600710	208
160502340	169	160700200	193	160810110	188	161200600	205	230410400	197	230600800	214
160504630	223	160700210	193	160810200	194	161200610	205	230410410	197	230600810	214
160504640	223	160700400	199	160810210	194	161200700	211	230410600	203	230602130	159
160510100	188	160700410	199	160810400	200	161200710	211	230410610	203	230602140	159
160510110	188	160700600	205	160810410	200	161200800	217	230410700	209	230602230	163
160510200	194	160700610	205	160810600	206	161200810	217	230410710	209	230602240	163
160510210	194	160700700	211	160810610	206	161202130	161	230410800	215	230602330	167
160510400	200	160700710	211	160810700	212	161202140	161	230410810	215	230602340	167
160510410	200	160700800	217	160810710	212	161202230	165	230414630	221	230604630	220
160510600	206	160700810	217	160810800	218	161202240	165	230414640	221	230604640	220
160510610	206	160702130	161	160810810	218	161202330	169	230500100	184	230610100	185
160510700	212	160702140	161	160814600	224	161202340	169	230500200	190	230610110	185
160510710	212	160702230	165	160814640	224	161204600	223	230500210	190	230610200	191
160510800	218	160702240	165	161000100	187	161204640	223	230500400	196	230610210	191
160510810	218	160702330	169	161000110	187	161210100	188	230500410	196	230610400	197
160514630	224	160702340	169	161000200	193	161210110	188	230500600	202	230610410	197
160514640	224	160704630	223	161000210	193	161210200	194	230500610	202	230610600	203
160600100	187	160704640	223	161000400	199	161210210	194	230500700	208	230610610	203
160600110	187	160710100	188	161000410	199	161210400	200	230500710	208	230610700	209
160600200	193	160710110	188	161000600	205	161210410	200	230500800	214	230610710	209
160600210	193	160710200	194	161000610	205	161210600	206	230500810	214	230610800	215
160600400	199	160710210	194	161000700	211	161210610	206	230502130	159	230610810	215
160600410	199	160710400	200	161000710	211	161210700	212	230502140	159	230614630	221
160600600	205	160710410	200	161000800	217	161210710	212	230502230	163	230614640	221
160600610	205	160710600	206	161000810	217	161210800	218	230502240	163	230700100	184
160600700	211	160710610	206	161002130	161	161210810	218	230502330	167	230700110	184
160600710	211	160710700	212	161002140	161	161214600	224	230502340	167	230700200	190
160600800	217	160710710	212	161002230	165	161214640	224	230504630	220	230700210	190
160600810	217	160710800	218	161002240	165	220500110	184	230504640	220	230700400	196
160602130	161	160710810	218	161002330	169	230400100	184	230510100	185	230700410	196
160602140	161	160714630	224	161002340	169	230400110	184	230510110	185	230700600	202
160602230	165	160714640	224	161004600	223	230400200	190	230510200	191	230700610	202
160602240	165	160800100	187	161004640	223	230400210	190	230510210	191	230700700	208
160602330	169	160800110	187	161010100	188	230400400	196	230510400	197	230700710	208
160602340	169	160800200	193	161010110	188	230400410	196	230510410	197	230700800	214
160604630	223	160800210	193	161010200	194	230400600	202	230510600	203	230700810	214
160604640	223	160800400	199	161010210	194	230400610	202	230510610	203	230702130	159
160610100	188	160800410	199	161010400	200	230400700	208	230510700	209	230702140	159
160610110	188	160800600	205	161010410	200	230400710	208	230510710	209	230702230	163
160610200	194	160800610	205	161010600	206	230400800	214	230510800	215	230702240	163
160610210	194	160800700	211	161010610	206	230400810	214	230510810	215	230702330	167
160610400	200	160800710	211	161010700	212	230402130	159	230514630	221	230702340	167
160610410	200	160800800	217	161010710	212	230402140	159	230514640	221	230704630	220
160610600	206	160800810	217	161010800	218	230402230	163	230600100	184	230704640	220
160610610	206	160802130	161	161010810	218	230402240	163	230600110	184	230710100	185
160610700	212	160802140	161	161014600	224	230402330	167	230600200	190	230710110	185
160610710	212	160802230	165	161014640	224	230402340	167	230600210	190	230710200	191
160610800	218	160802240	165	161200100	187	230404630	220	230600400	196	230710210	191
160610810	218	160802330	169	161200110	187	230404640	220	230600410	196	230710400	197
160614630	224	160802340	169	161200200	193	230410100	185	230600600	202	230710410	197
160614640	224	160804640	223	161200210	193	230410110	185	230600610	202	230710600	203
160700100	187	160806400	223	161200400	199	230410200	191	230600700	208	230710610	203

EK&EG PRO
Series SubtracksEK&EG+ PRO
Series SubtracksBEM&BEG PRO
Series SubtracksHandle
specification
and accessoriesGuide rail
specification
and accessories19" CUR
Series SubtracksSNCF
Series SubtracksShielded
plug-in units
Series SubtracksVERO
Series SubtracksProtective
Series SubtracksCASE
Series SubtracksType A
Series SubtracksIntegrated
slide panel
series subtracksIN-S
Series SubtracksSubtracks
AccessoriesPanel
componentOrder no.
and page Table

Order no. and page Table

230710700T0261000210

Order no	Page	Order no	Page	Order no	Page	Order no	Page	Order no	Page	Order no	Page
230710700	209	231002140	159	231214630	221	260402240	165	260600100	187	260704640	223
230710710	209	231002230	163	231214640	221	260402330	169	260600110	187	260710100	188
230710800	215	231002240	163	234224504	7	260402340	169	260600200	193	260710110	188
230710810	215	231002330	167	234224514	7	260404630	223	260600210	193	260710200	194
230714630	221	231002340	167	234228504	7	260404640	223	260600400	199	260710210	194
230714640	221	231004630	220	234228514	7	260410100	188	260600410	199	260710400	200
230800100	184	231004640	220	234234504	7	260410110	188	260600600	205	260710410	200
230800110	184	231010100	185	234234514	7	260410200	194	260600610	205	260710600	206
230800200	190	231010110	185	236324504	7	260410210	194	260600700	211	260710610	206
230800210	190	231010200	191	236324514	7	260410400	200	260600710	211	260710700	212
230800400	196	231010210	191	236328504	7	260410410	200	260600800	217	260710710	212
230800410	196	231010400	197	236328514	7	260410600	206	260600810	217	260710800	218
230800600	202	231010410	197	236334504	7	260410610	206	260602130	161	260710810	218
230800610	202	231010600	203	236334514	7	260410700	212	260602140	161	260714630	224
230800700	208	231010610	203	238424504	7	260410710	212	260602230	165	260714640	224
230800710	208	231010700	209	238424514	7	260410800	218	260602240	165	260800100	187
230800800	214	231010710	209	238428504	7	260410810	218	260602330	169	260800110	187
230800810	214	231010800	215	238428514	7	260414630	224	260602340	169	260800200	193
230802130	159	231010810	215	238434504	7	260414640	224	260604630	223	260800210	193
230802140	159	231014630	221	238434514	7	260500100	187	260604640	223	260800400	199
230802230	163	231014640	221	244224504	7	260500110	187	260610100	188	260800410	199
230802240	163	231200100	184	244224514	7	260500200	193	260610110	188	260800600	205
230802330	167	231200110	184	244228504	7	260500210	193	260610200	194	260800610	205
230802340	167	231200200	190	244228514	7	260500400	199	260610210	194	260800700	211
230804630	220	231200210	190	244234504	7	260500410	199	260610400	200	260800710	211
230804640	220	231200400	196	244234514	7	260500600	205	260610410	200	260800800	217
230810100	185	231200410	196	246324504	7	260500610	205	260610600	206	260800810	217
230810110	185	231200600	202	246324514	7	260500700	211	260610610	206	260802130	161
230810200	191	231200610	202	246328504	7	260500710	211	260610700	212	260802140	161
230810210	191	231200700	208	246328514	7	260500800	217	260610710	212	260802230	165
230810400	197	231200710	208	246334504	7	260500810	217	260610800	218	260802240	165
230810410	197	231200800	214	246334514	7	260502130	161	260610810	218	260802330	169
230810600	203	231200810	214	248424504	7	260502140	161	260614630	224	260802340	169
230810610	203	231202130	159	248424514	7	260502230	165	260614640	224	260804600	223
230810700	209	231202140	159	248428504	7	260502240	165	260700100	187	260804640	223
230810710	209	231202230	163	248428514	7	260502330	169	260700110	187	260810100	188
230810800	215	231202240	163	248434504	7	260502340	169	260700200	193	260810110	188
230810810	215	231202330	167	248434514	7	260504630	223	260700210	193	260810200	194
230814630	221	231202340	167	260400100	187	260504640	223	260700400	199	260810210	194
230814640	221	231204630	220	260400110	187	260510100	188	260700410	199	260810400	200
231000100	184	231204640	220	260400200	193	260510110	188	260700600	205	260810410	200
231000110	184	231210100	185	260400210	193	260510200	194	260700610	205	260810600	206
231000200	190	231210110	185	260400400	199	260510210	194	260700700	211	260810610	206
231000210	190	231210200	191	260400410	199	260510400	200	260700710	211	260810700	212
231000400	196	231210210	191	260400600	205	260510410	200	260700800	217	260810710	212
231000410	196	231210400	197	260400610	205	260510600	206	260700810	217	260810800	218
231000600	202	231210410	197	260400700	211	260510610	206	260702130	161	260810810	218
231000610	202	231210600	203	260400710	211	260510700	212	260702140	161	260814600	224
231000700	208	231210610	203	260400800	217	260510710	212	260702230	165	260814640	224
231000710	208	231210700	209	260400810	217	260510800	218	260702240	165	261000100	187
231000800	214	231210710	209	260402130	161	260510810	218	260702330	169	261000110	187
231000810	214	231210800	215	260402140	161	260514630	224	260702340	169	261000200	193
231002130	159	231210810	215	260402230	165	260514640	224	260704630	223	261000210	193

Order no. and page Table

261000400TO331210811

Order no	Page	Order no	Page	Order no	Page	Order no	Page	Order no	Page	Order no	Page
261000400	199	261210210	194	330410401	197	330600711	208	330710701	209	331002141	159
261000410	199	261210400	200	330410411	197	330600801	214	330710711	209	331002231	163
261000600	205	261210410	200	330410601	203	330600811	214	330710801	215	331002241	163
261000610	205	261210600	206	330410611	203	330602131	159	330710811	215	331002331	167
261000700	211	261210610	206	330410701	209	330602141	159	330714631	221	331002341	167
261000710	211	261210700	212	330410711	209	330602231	163	330714641	221	331004631	220
261000800	217	261210710	212	330410801	215	330602241	163	330800101	184	331004641	220
261000810	217	261210800	218	330410811	215	330602331	167	330800111	184	331010101	185
261002130	161	261210810	218	330414631	221	330602341	167	330800201	190	331010111	185
261002140	161	261214600	224	330414641	221	330604631	220	330800211	190	331010201	191
261002230	165	261214640	224	330500101	184	330604641	220	330800401	196	331010211	191
261002240	165	264224504	8	330500111	184	330610101	185	330800411	196	331010401	197
261002330	169	264224514	8	330500201	190	330610111	185	330800601	202	331010411	197
261002340	169	264228504	8	330500211	190	330610201	191	330800611	202	331010601	203
261004600	223	264228514	8	330500401	196	330610211	191	330800701	208	331010611	203
261004640	223	264234504	8	330500411	196	330610401	197	330800711	208	331010701	209
261010100	188	264234514	8	330500601	202	330610411	197	330800801	214	331010711	209
261010110	188	266324504	8	330500611	202	330610601	203	330800811	214	331010801	215
261010200	194	266324514	8	330500701	208	330610611	203	330802131	159	331010811	215
261010210	194	266328504	8	330500711	208	330610701	209	330802141	159	331014631	221
261010400	200	266328514	8	330500801	214	330610711	209	330802231	163	331014641	221
261010410	200	266334504	8	330500811	214	330610801	215	330802241	163	331200101	184
261010600	206	266334514	8	330502131	159	330610811	215	330802331	167	331200111	184
261010610	206	268424504	8	330502141	159	330614631	221	330802341	167	331200201	190
261010700	212	268424514	8	330502231	163	330614641	221	330804631	220	331200211	190
261010710	212	268428504	8	330502241	163	330700101	184	330804641	220	331200401	196
261010800	218	268428514	8	330502331	167	330700111	184	330810101	185	331200411	196
261010810	218	268434504	8	330502341	167	330700201	190	330810111	185	331200601	202
261014600	224	268434514	8	330504631	220	330700211	190	330810201	191	331200611	202
261014640	224	330400101	184	330504641	220	330700401	196	330810211	191	331200701	208
261200100	187	330400111	184	330510101	185	330700411	196	330810401	197	331200711	208
261200110	187	330400201	190	330510111	185	330700601	202	330810411	197	331200801	214
261200200	193	330400211	190	330510201	191	330700611	202	330810601	203	331200811	214
261200210	193	330400401	196	330510211	191	330700701	208	330810611	203	331202131	159
261200400	199	330400411	196	330510401	197	330700711	208	330810701	209	331202141	159
261200410	199	330400601	202	330510411	197	330700801	214	330810711	209	331202231	163
261200600	205	330400611	202	330510601	203	330700811	214	330810801	215	331202241	163
261200610	205	330400701	208	330510611	203	330702131	159	330810811	215	331202331	167
261200700	211	330400711	208	330510701	209	330702141	159	330814631	221	331202341	167
261200710	211	330400801	214	330510711	209	330702231	163	330814641	221	331204631	220
261200800	217	330400811	214	330510801	215	330702241	163	331000101	184	331204641	220
261200810	217	330402131	159	330510811	215	330702331	167	331000111	184	331210101	185
261202130	161	330402141	159	330514631	221	330702341	167	331000201	190	331210111	185
261202140	161	330402231	163	330514641	221	330704631	220	331000211	190	331210201	191
261202230	165	330402241	163	330600101	184	330704641	220	331000401	196	331210211	191
261202240	165	330402331	167	330600111	184	330710101	185	331000411	196	331210401	197
261202330	169	330402341	167	330600201	190	330710111	185	331000601	202	331210411	197
261202340	169	330404631	220	330600211	190	330710201	191	331000611	202	331210601	203
261204600	223	330404641	220	330600401	196	330710211	191	331000701	208	331210611	203
261204640	223	330410101	185	330600411	196	330710401	197	331000711	208	331210701	209
261210100	188	330410111	185	330600601	202	330710411	197	331000801	214	331210711	209
261210110	188	330410201	191	330600611	202	330710601	203	331000811	214	331210801	215
261210200	194	330410211	191	330600701	208	330710611	203	331002131	159	331210811	215

EK&EG PRO
Series SubtracksEK+&EG+PRO
Series SubtracksBEK&BEG PRO
Series SubtracksHandle
specification
and accessoriesGuide rail
specification
and accessories19"CUR
Series SubtracksSNCF
Series SubtracksShielded
plug-in units
Series SubtracksVERO
Series SubtracksProtective
Series SubtracksCASE
Series SubtracksType A
Series SubtracksIntegrated
slide panels
series subtracksIN-S
Series SubtracksSubtracks
AccessoriesPanel
componentOrder no.
and page Table

Appendix



Order no. and page Table

331214631T0948434011

	Order no	Page	Order no	Page	Order no	Page	Order no	Page	Order no	Page	Order no	Page
EKG&EG PRO Series Subracks	331214631	221	360502341	169	360700201	193	360810111	188	361200601	205	748440011	90
	331214641	221	360504631	223	360700211	193	360810201	194	361200611	205	748446001	90
BEK&BEG PRO Series Subracks	360400101	187	360504641	223	360700401	199	360810211	194	361200701	211	748446011	90
	360400111	187	360510101	188	360700411	199	360810401	200	361200711	211	758446001	90
Handle specification and accessories	360400201	193	360510111	188	360700601	205	360810411	200	361200801	217	758446011	90
	360400211	193	360510201	194	360700611	205	360810601	206	361200811	217	918422001	96
Guide rail specification and accessories	360400401	199	360510211	194	360700701	211	360810611	206	361202131	161	918422011	96
	360400411	199	360510401	200	360700711	211	360810701	212	361202141	161	918428001	96
19" EUR Series Subracks	360400601	205	360510411	200	360700801	217	360810711	212	361202231	165	918428011	96
	360400611	205	360510601	206	360700811	217	360810801	218	361202241	165	918434001	96
SNCF Series Subracks	360400701	211	360510611	206	360702131	161	360810811	218	361202331	169	918434011	96
	360400711	211	360510701	212	360702141	161	360814601	224	361202341	169	928428001	96
Shielded plug-in units Series Subracks	360400801	217	360510711	212	360702231	165	360814641	224	361204601	223	928428011	96
	360400811	217	360510801	218	360702241	165	361000101	187	361204641	223	928434001	96
VERO Series Subracks	360402131	161	360510811	218	360702331	169	361000111	187	361210101	188	928434011	96
	360402141	161	360514631	224	360702341	169	361000201	193	361210111	188	938428001	96
Protective Series Subracks	360402231	165	360514641	224	360704631	223	361000211	193	361210201	194	938428011	96
	360402241	165	360600101	187	360704641	223	361000401	199	361210211	194	938434001	96
CASE Series Subracks	360402331	169	360600111	187	360710101	188	361000411	199	361210401	200	938434011	96
	360402341	169	360600201	193	360710111	188	361000601	205	361210411	200	948428001	96
Type A Series Subracks	360404631	223	360600211	193	360710201	194	361000611	205	361210601	206	948428011	96
	360404641	223	360600401	199	360710211	194	361000701	211	361210611	206	948434001	96
IN-5 Series Subracks	360410101	188	360600411	199	360710401	200	361000711	211	361210701	212	948434011	96
	360410111	188	360600601	205	360710411	200	361000801	217	361210711	212		
Type A Series Subracks	360410201	194	360600611	205	360710601	206	361000811	217	361210801	218		
	360410211	194	360600701	211	360710611	206	361002131	161	361210811	218		
IN-5 Series Subracks	360410401	200	360600711	211	360710701	212	361002141	161	361214601	224		
	360410411	200	360600801	217	360710711	212	361002231	165	361214641	224		
Type A Series Subracks	360410601	206	360600811	217	360710801	218	361002241	165	718422001	90		
	360410611	206	360602131	161	360710811	218	361002331	169	718422011	90		
IN-5 Series Subracks	360410701	212	360602141	161	360714631	224	361002341	169	718428001	90		
	360410711	212	360602231	165	360714641	224	361004601	223	718428011	90		
Type A Series Subracks	360410801	218	360602241	165	360800101	187	361004641	223	718434001	90		
	360410811	218	360602331	169	360800111	187	361010101	188	718434011	90		
IN-5 Series Subracks	360414631	224	360602341	169	360800201	193	361010111	188	728422001	90		
	360414641	224	360604631	223	360800211	193	361010201	194	728422011	90		
Type A Series Subracks	360500101	187	360604641	223	360800401	199	361010211	194	728428001	90		
	360500111	187	360610101	188	360800411	199	361010401	200	728428011	90		
Type A Series Subracks	360500201	193	360610111	188	360800601	205	361010411	200	728434001	90		
	360500211	193	360610201	194	360800611	205	361010601	206	728434011	90		
Type A Series Subracks	360500401	199	360610211	194	360800701	211	361010611	206	738428001	90		
	360500411	199	360610401	200	360800711	211	361010701	212	738428011	90		
Type A Series Subracks	360500601	205	360610411	200	360800801	217	361010711	212	738434001	90		
	360500611	205	360610601	206	360800811	217	361010801	218	738434011	90		
Type A Series Subracks	360500701	211	360610611	206	360802131	161	361010811	218	738440001	90		
	360500711	211	360610701	212	360802141	161	361014601	224	738440011	90		
Type A Series Subracks	360500801	217	360610711	212	360802231	165	361014641	224	738446001	90		
	360500811	217	360610801	218	360802241	165	361200101	187	738446011	90		
Type A Series Subracks	360502131	161	360610811	218	360802331	169	361200111	187	748428001	90		
	360502141	161	360614631	224	360802341	169	361200201	193	748428011	90		
Type A Series Subracks	360502231	165	360614641	224	360804601	223	361200211	193	748434001	90		
	360502241	165	360700101	187	360804641	223	361200401	199	748434011	90		
Type A Series Subracks	360502331	169	360700111	187	360810101	188	361200411	199	748440001	90		

