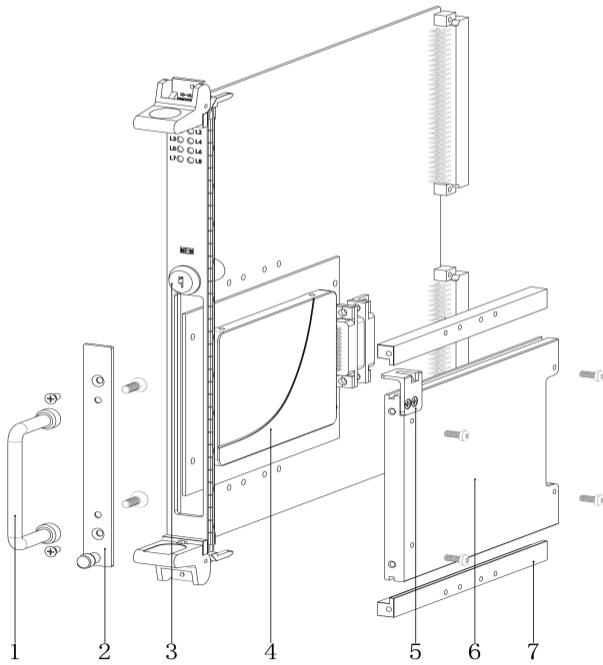


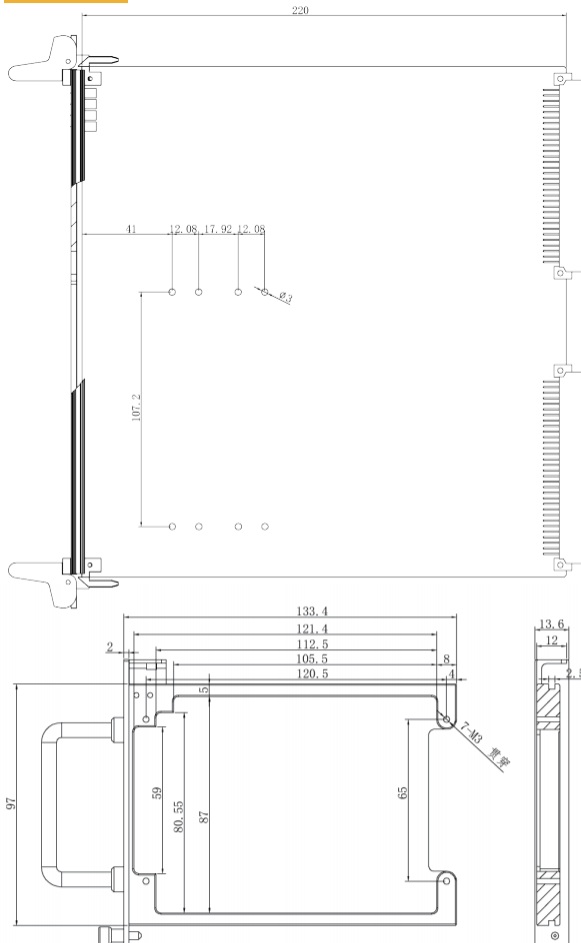
## 2.5" hard drive cage assembly



- For hard drive protection against physical damage and mechanical damage
- Suitable for 4U and 6U and above size PCB card mount 2.5" solid state drives
- With lock for easy hard drive removal and installation



### Cut-Size



### Delivery Comprises(kit)

Item	Name	Qty	Model
1	Handle	1	/
2	Front panel	1	Stainless steel, Wire drawing process
3	Hard disk lock	1	/
4	2.5 inch hard disk	1	/
5	Locking element	1	/
6	Hard drive	1	/
7	Hard drive Guide rail	2	/
8	Assembly components	1	Pan head Screw M2.5

### Order no

Name	Order no
2.5" hard drive cage assembly	02622021